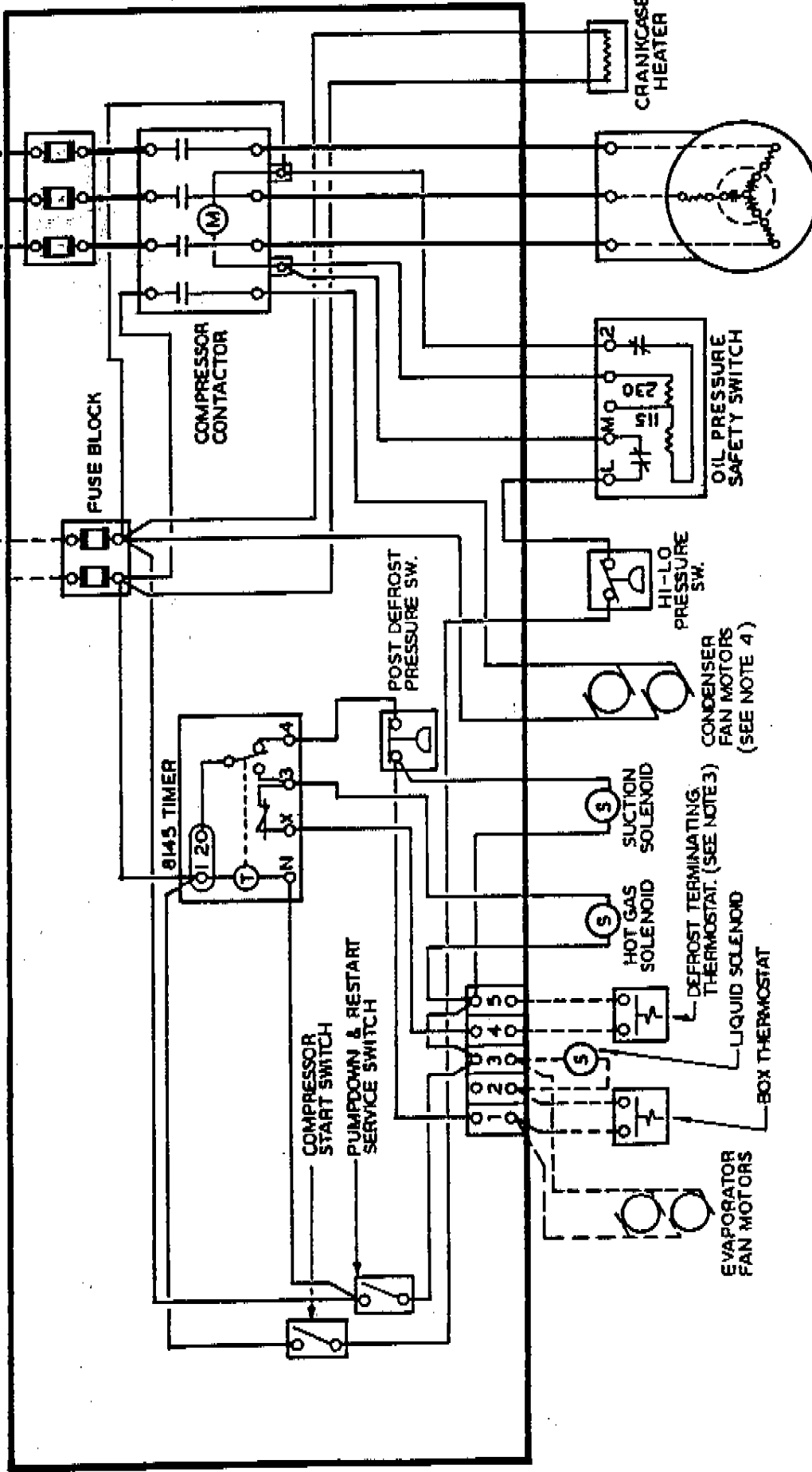


230-3-60

230-1-60



COMPRESSOR

REVISIONS

KRAMER

KRAMER TRENTON CO.
TRENTON N.J.

SCHEMATIC WIRING DIAGRAM FOR
C-5 & 7-1/2F; 6 & 8L

230-3-60 MAIN, 230-1-60 CONTROLS
SCALE: — DWG. No. A-22305-8-CH

NOTES:

1. ALL WIRING SHOWN IN DOTTED LINES, EXCEPT INTERNAL COMP. WIRING, IS BY INSTALLER.
2. ALL FAN MOTORS HAVE INHERENT OVERLOAD PROTECTION.
3. ONE THERMOSTAT IS SUPPLIED WITH EACH EVAPORATOR. WHERE TWO OR MORE EVAPS. ARE SUPPLIED FOR ONE SYSTEM, THE DEFROST T'STATS SHOULD BE ELECTRICALLY CONNECTED IN SERIES.
4. REMOTE CONDENSER REQUIRES FIELD WIRING.

DRAWN BY	DATE	CHECKED	APPROVED
DJM / RNB	8 - 6 - 70		

CHECK YOUR THERMOBANK FOR AN IMMERSION HEATER
 IF AN IMMERSION HEATER IS SCREWED INTO THE THERMOBANK, IT MUST BE WIRED TO A FUSED BRANCH CIRCUIT AS FOLLOWS:

IMMERSION HEATER
 (SEE INSTALLATION INSTRUCTIONS FOR IMMERSION HEATER)

FUSED DISCONNECT SWITCH (BY INSTALLER)

LINE VOLTAGE

CONNECTING WIRING - BY INSTALLER

WIRING FOR IMMERSION HEATER