

KRAMER
KRAMER TRENTON CO.
TRENTON, N.J.

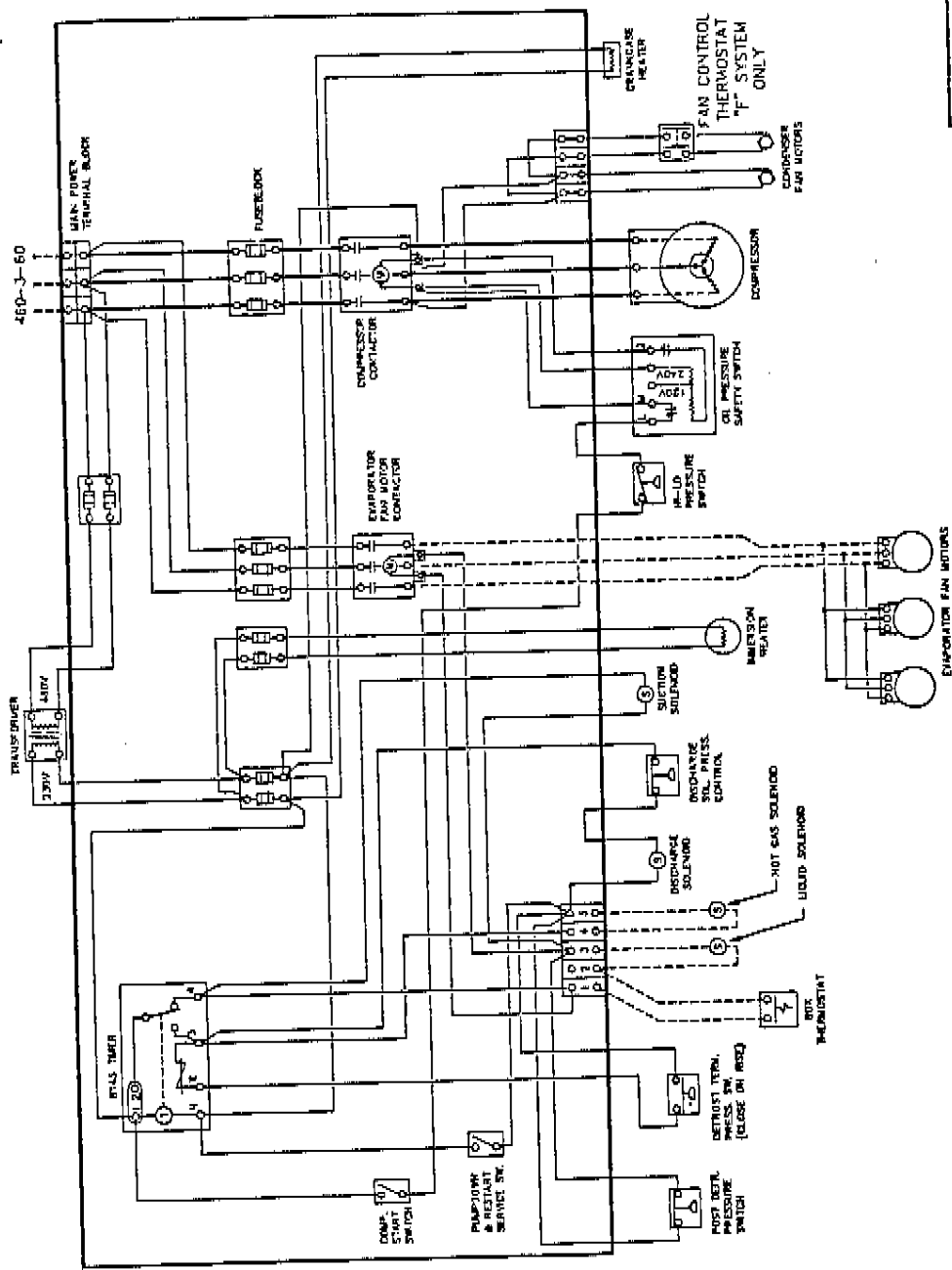
DESCRIPTION: CTT 4,5,6,8,9 & 10L
CTT 5,7,8 & 10F
460-3-60 MAIN, 230-1-60 CONTROLS

DATE: 2-26-93
DRAWN BY: MOD

DRAWING NUMBER: B-25458-10

MATERIAL: KRAMER CONDENSING UNITS

SCHEMATIC WIRING DIAGRAM



DRAWING NUMBER
B-25458-10

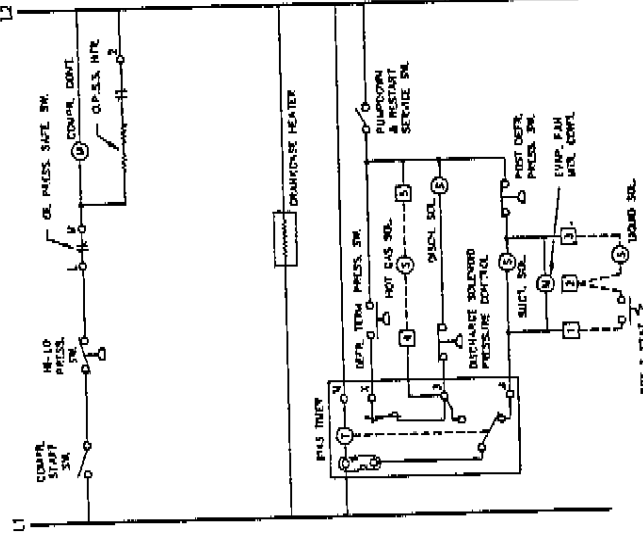
REV: 1

DESCRIPTION: CTT 4,5,6,8,9 & 10L
CTT 5,7,8 & 10F
460-3-60 MAIN, 230-1-60 CONTROLS

DATE: 2-26-93

DRAWN BY: MOD

CTT 4,5,6,8,9 & 10L
CTT 5,7,8 & 10F
460-3-60 MAIN, 230-1-60 CONTROLS



SCHEMATIC LADDER DIAGRAM

- NOTES:
1. ALL WIRING SHOULD BE INSTALLED IN ACCORDANCE WITH THE NATIONAL ELECTRICAL CODE.
 2. ALL WIRING SHOULD BE INSTALLED IN ACCORDANCE WITH THE NATIONAL ELECTRICAL CODE.
 3. ALL CONNECTIONS & SWITCHES SHOWN DE-ENERGIZED.
 4. EVAPORATOR FAN MOTORS: SINGLE PHASE USE TERMINAL 1, 2.