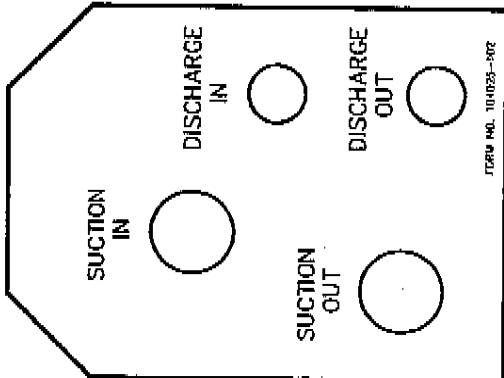
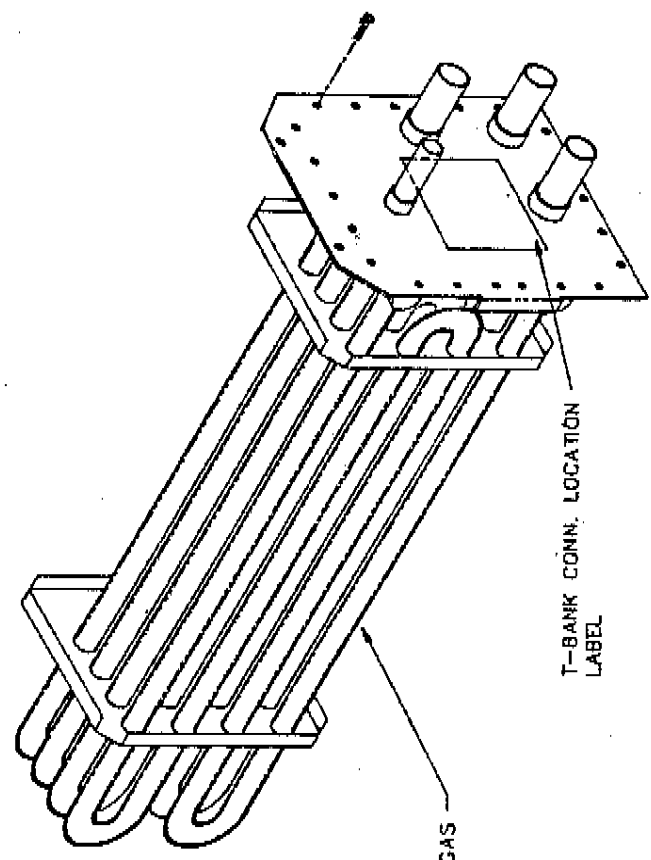


EXPLODED VIEW - SHELL ASSEMBLY  
BOLTED / GASKETED THERMOBANK  
(OLD STYLE)



REFRIGERANT CONNECTION LOCATIONS - (TYPICAL)

THERMOBANK TUBE BUNDLE TYPICAL - (OLD STYLE)



REVISIONS

**KRAMER**  
KRAMER TRENTON CO.  
TRENTON N.J.

DRAWN BY	DATE	CHECKED	APPROVED

SCALE: DWG. No. A-