

## KE/KL Series



## R404A/R22 Dual Refrigerant Air Cooled Condensing Units

1/2 to 6-1/2 HP

Kompact K-series condensing units are ideally suited for use in a variety of commercial applications such as cafeterias, convenience stores, restaurants and fast food outlets. Kompact units offer a winning combination of quality, economy, and flexibility coupled with lower long term operating costs. This low profile product line has been designed around environmentally safer refrigerants.

*Full description on next page*



### Features:

- Indoor/Outdoor Models
- All Weather Housing
- Hermetic, Semi-Hermetic or Scroll Compressors
- Copper tube / Aluminum finned condenser
- Standard with PSC condenser fan motor
- UL and cUL Listed



Kompact K-series condensing units are ideally suited for use in a variety of commercial applications such as cafeterias, convenience stores, restaurants and fast food outlets. Kompact units offer a winning combination of quality, economy, and flexibility coupled with lower long term operating costs.

This low profile product line has been designed around environmentally safer refrigerants. Units are available with a choice of compressors: low cost hermetic, efficient and quiet scroll compressors, heavy duty semi-hermetic and discus compressors.

In addition to the basic Indoor and Outdoor models described in this bulletin, Kramer can also provide pre-engineered system packages with matching evaporators and accessories. The standard K-series condensing unit is designed for operation in ambient air temperatures up to 110°F. Oversized condensers are available for most models. Contact our Applications Engineering department for requirements exceeding 110°F ambient temperature.

### Features:

#### Indoor/Outdoor Models (KEH/KES/KED/KEO)

- Hermetic, Semi-hermetic or Scroll compressor.
- Generously sized condenser, Copper tubes/Aluminum fins
- Large electrical control panel for power and control circuits
- Compressor contactor or start kit
- Encapsulated high and low pressure controls (adjustable low pressure control on low temp models)
- Refrigerant receiver with shutoff valve and relief plug
- PSC motors are standard for all condenser fan motor(s)
- All-weather housing
- UL and cUL listed for indoor or outdoor use

#### Optimized Packaged Units (KLH/KLS/KLD/KLO)

- Includes all Indoor model features, plus:
- Crankcase heater
- Liquid line kit with filter/drier and sight glass with moisture indicator
- Suction line piping to exterior of cabinet
- Low Ambient – flooded head pressure control valve
- Electric defrost timer with defrost contactor/relay on low temperature models (ED10-230/1)
- Air Defrost Timer (2-1/2 through 6 HP High and Medium temp models only, optional for other HP)

### Options:

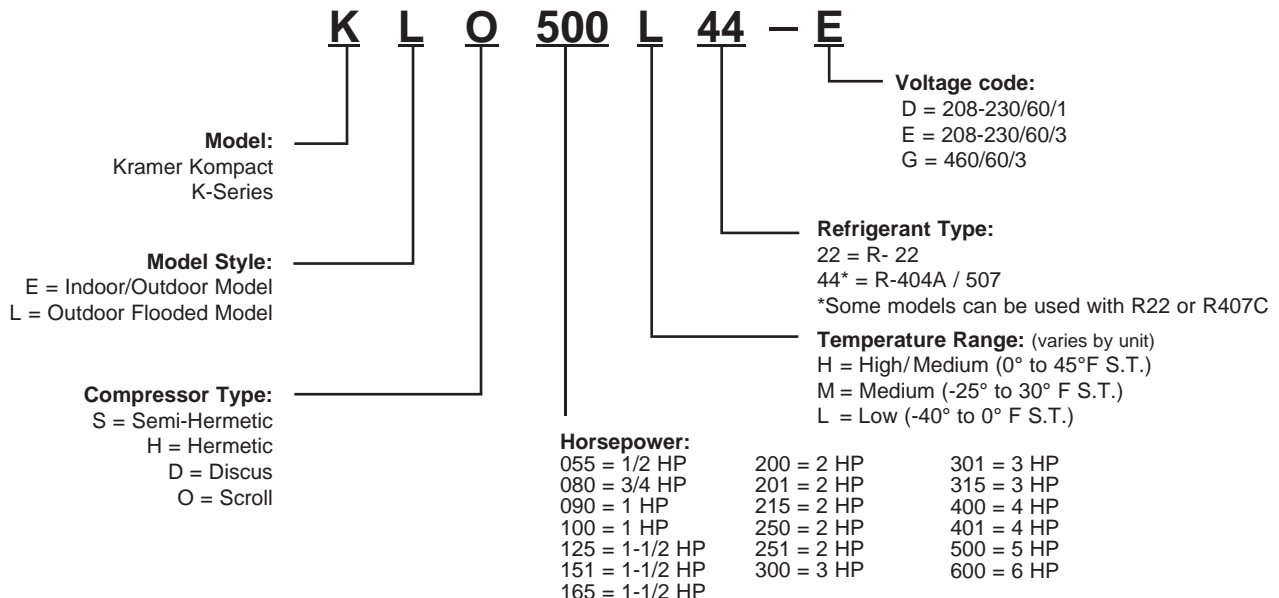
- Factory installed air defrost timer
- Factory installed electric defrost timer with contactor
- Low ambient flooded control (STD on KL models)
- Mild ambient fan cycle control (for 2 fan units only)
- Wire fan guard(s) kit
- Suction line piping to exterior of cabinet (STD on KL models)
- Suction line kit with filter and piping
- Liquid line (piping only)
- Liquid line kit with piping, filter/ drier and sight glass (STD on KL models)
- Suction accumulator
- Oil separator (not available with mounted accumulator)
- Crankcase heater
- Copper fins, or coated condenser coil
- Tiered stacking
- Liquid line solenoid
- Fused disconnect
- High ambient oversized condenser coil - contact Applications
- Spring mounting for semi-hermetic compressors

	DESCRIPTION	STANDARD UNITS				PACKAGED UNITS			
		KEH	KED	KES	KEO	KLH	KLD	KLS	KLO
COMPRESSOR	Hermetic	STD	N/A	N/A	N/A	STD	N/A	N/A	N/A
	Discus	N/A	STD	N/A	N/A	N/A	STD	N/A	N/A
	Semi-Hermetic	N/A	N/A	STD	N/A	N/A	N/A	STD	N/A
	Scroll	N/A	N/A	N/A	STD	N/A	N/A	N/A	STD
ELECTRICAL CONTROLS	Oil failure control (as required)	N/R	STD	STD	N/R	N/R	STD	STD	N/R
	Encapsulated high and low pressure controls**	STANDARD				STANDARD			
	Compressor contactor (1Ø or 3Ø), start kit (1Ø)	STANDARD				STANDARD			
	Control transformer (460v to 230V) as required	STANDARD				STANDARD			
CONDENSER	Copper tubes, Aluminum fins	STANDARD				STANDARD			
	Fan motor(s) - overload protection	STANDARD				STANDARD			
	Fan blade(s) - individually balanced	STANDARD				STANDARD			
	Fan guard(s)	OPTIONAL				OPTIONAL			
PIPING COMPONENTS	Suction line (vibrasorber† and piping only)	OPTIONAL				STANDARD			
	Suction kit (vibrasorber†, piping and suction filter)	OPTIONAL				OPTIONAL			
	Suction line accumulator	OPTIONAL				OPTIONAL			
	*Liquid line kit	OPTIONAL				STANDARD			
	Discharge vibrasorber	N/R	STD††	STD††	N/R	N/R	STD††	STD††	N/R
RECEIVER	Shut-off valve(s)	STANDARD				STANDARD			
	Fusible plug	STANDARD				STANDARD			
HOUSING	Galvanized steel all weather housing	STANDARD				STANDARD			
	Control panel	STANDARD				STANDARD			
AMBIENT CONTROL	Fan cycle control (2 Fan models only)	OPTIONAL				OPTIONAL			
	Flooded head pressure control	OPTIONAL				STANDARD			
DEFROST PROVISIONS	Air defrost time clock	OPTIONAL				STD on 3-6 HP			
	Electric defrost package	OPTIONAL				(1)	(1)	(1)	(1)
TESTING	UL and C-UL listed	STANDARD				STANDARD			
	Leak and dielectric tested before shipping	STANDARD				STANDARD			
	Dry Nitrogen shipping charge (25 to 35 PSI)	STANDARD				STANDARD			

STD = Standard Feature      N/R = Not Required      N/A = Not Available      OPT = Optional Feature

† Vibrasorber not required for Hermetic and Scroll compressors. Vibrasorber not included for 1/2 through 2HP models. Add kit SPR-VB if suction vibrasorber required.  
 ††Standard for 2-1/2 through 6HP Models. For 1/2 to 2HP models, add kit number SPR-VB to include vibrasorbers and compressor spring mounting.  
 \*Liquid line kit includes: piping, filter drier, sight glass/moisture indicator.  
 \*\* Adjustable low pressure control on low temp models in lieu of fixed control.  
 (1) Electric defrost kit is included on Low temperature models. ED-10-230/1 for 1/2 to 3 HP models, and ED11-230/3 for 4 to 6 HP models.  
 See page 15 for dimensional drawings

**Nomenclature:**



**R404A RATING- MEDIUM TEMPERATURE - HERMETIC - CAPACITY (BTUH)**

**HIGH TEMPERATURE - HERMETIC**

MODEL	+40°F	+35°F
K*H055H44	9,250	8,340
K*H090H44	12,920	11,760
K*H100H44	14,140	12,760
K*H151H44	22,000	19,710
K*H251H44	27,160	24,500
K*H325H44	44,290	39,740
K*H400H44	54,970	49,440
K*H500H44	60,740	54,690

**90°F  
AMBIENT**

**EXTENDED MEDIUM TEMPERATURE - HERMETIC**

MODEL	+30°F	+25°F	+20°F	+10°F	0°F	-10°F	-20°F	-25°F
K*H055M44†	6,920	6,250	5,620	4,500	3,500	2,660	1,930	1,610
K*H080M44†	8,280	7,490	6,760	5,440	4,310	3,370	2,600	2,270
K*H090M44†	9,560	8,700	7,890	6,420	5,130	4,030	3,100	2,710
K*H100M44†	10,340	9,240	8,230	6,440	4,950	3,700	2,610	2,100
K*H125M44†	14,370	12,920	11,560	9,120	7,030	5,240	3,740	3,080
K*H151M44	17,920	15,900	14,000	10,630	7,820	5,510	3,620	2,820
K*H200M44	19,470	17,420	15,510	12,030	9,040	6,550	4,520	3,680
K*H251M44	21,560	19,290	17,190	13,420	10,220	7,550	5,380	4,450
K*H301M44	29,370	26,270	23,360	18,080	13,580	9,790	6,730	5,490
K*H325M44	32,160	28,800	25,620	19,910	15,090	11,060	7,710	6,260
K*H400M44	45,080	40,010	35,350	27,080	20,240	14,690	10,350	8,600
K*H500M44	51,320	45,680	40,490	31,380	23,840	17,680	12,700	10,600

MODEL	+40°F	+35°F
K*H055H44	8,790	7,930
K*H090H44	12,290	11,180
K*H100H44	13,370	12,040
K*H151H44	20,690	18,500
K*H251H44	25,640	23,110
K*H325H44	41,760	37,400
K*H400H44	51,980	46,670
K*H500H44	57,460	51,670

**95°F  
AMBIENT**

MODEL	+30°F	+25°F	+20°F	+10°F	0°F	-10°F	-20°F	-25°F
K*H055M44†	6,620	5,970	5,120	4,070	3,160	2,380	1,710	1,420
K*H080M44†	7,840	7,080	6,090	4,890	3,870	3,010	2,320	2,030
K*H090M44†	9,080	8,260	7,140	5,800	4,620	3,610	2,770	2,420
K*H100M44†	9,730	8,690	7,380	5,760	4,410	3,260	2,240	1,750
K*H125M44†	13,570	12,180	10,390	8,160	6,250	4,620	3,240	2,640
K*H151M44	16,830	14,860	13,050	9,840	7,170	4,980	3,180	2,420
K*H200M44	18,270	16,310	13,820	10,650	7,940	5,680	3,860	3,110
K*H251M44	20,290	18,130	15,390	11,960	9,060	6,640	4,670	3,840
K*H301M44	27,650	24,690	21,900	16,850	12,550	8,960	6,100	4,960
K*H325M44	30,190	26,960	23,920	18,520	13,940	10,110	6,910	5,500
K*H400M44	42,300	37,480	33,040	25,210	18,750	13,550	9,500	7,880
K*H500M44	48,440	43,050	36,380	28,110	21,270	15,700	11,190	9,270

MODEL	+40°F	+35°F
K*H055H44	8,330	7,510
K*H090H44	11,650	10,590
K*H100H44	12,590	11,330
K*H151H44	19,380	17,290
K*H251H44	24,130	21,720
K*H325H44	39,230	35,070
K*H400H44	48,960	43,880
K*H500H44	54,170	48,640

**100°F  
AMBIENT**

MODEL	+30°F	+25°F	+20°F	+10°F	0°F	-10°F	-20°F	-25°F
K*H055M44†	6,290	5,670	5,080	4,020	3,110	2,330	1,650	1,360
K*H080M44†	7,390	6,670	6,010	4,810	3,790	2,940	2,260	1,980
K*H090M44†	8,600	7,810	7,070	5,720	4,550	3,540	2,710	2,370
K*H100M44†	9,120	8,140	7,240	5,640	4,290	3,130	2,080	1,550
K*H125M44†	12,770	11,450	10,210	7,980	6,060	4,430	3,050	2,450
K*H151M44	15,710	13,840	12,120	9,070	6,540	4,460	2,750	2,030
K*H200M44	17,070	15,200	13,450	10,280	7,590	5,370	3,590	2,850
K*H251M44	19,030	16,970	15,060	11,650	8,770	6,380	4,430	3,600
K*H301M44	25,930	23,100	20,440	15,630	11,550	8,160	5,510	4,470
K*H325M44	28,200	25,120	22,260	17,130	12,800	9,160	6,110	4,740
K*H400M44	39,570	34,990	30,790	23,390	17,320	12,460	8,710	7,200
K*H500M44	45,580	40,460	35,760	27,540	20,760	15,240	10,750	8,840

MODEL	+40°F	+35°F
K*H055H44	7,410	6,660
K*H090H44	10,350	9,390
K*H100H44	11,050	9,920
K*H151H44	16,790	14,910
K*H251H44	21,130	18,930
K*H325H44	34,160	30,410
K*H400H44	42,860	38,280
K*H500H44	47,540	42,580

**110°F  
AMBIENT**

MODEL	+30°F	+25°F	+20°F	+10°F	0°F	-10°F	-20°F	-25°F
K*H055M44†	5,630	5,050	4,520	3,550	2,720	2,000	1,380	1,110
K*H080M44†	6,490	5,850	5,250	4,170	3,260	2,520	1,930	1,700
K*H090M44†	7,600	6,900	6,230	5,020	3,960	3,070	2,340	2,040
K*H100M44†	8,850	7,900	7,030	5,480	4,170	3,040	2,020	1,510
K*H125M44†	11,210	10,000	8,880	6,860	5,130	3,650	2,380	1,820
K*H151M44	13,510	11,830	10,290	7,560	5,310	3,450	1,940	1,270
K*H200M44	14,700	13,010	11,430	8,590	6,210	4,260	2,700	2,040
K*H251M44	16,510	14,680	12,970	9,930	7,360	5,240	3,520	2,790
K*H301M44	22,550	19,980	17,560	13,260	9,610	6,660	4,440	3,630
K*H325M44	24,350	21,560	19,010	14,440	10,570	7,310	4,490	3,210
K*H400M44	34,180	30,140	26,420	19,890	14,590	10,410	7,220	5,930
K*H500M44	39,960	35,370	31,180	23,840	17,820	12,900	8,860	7,110

Models with † can be used with R407C between the ranges of 0°F and + 30°Fst. Multiply capacity of models 055 through 125 (only) by .83.

**R22 RATING- MEDIUM TEMPERATURE - HERMETIC - CAPACITY (BTUH)**

**HIGH TEMPERATURE - HERMETIC**

MODEL	+40°F	+35°F
K*H055H44	9,580	8,640
K*H080H44	11,300	10170
K*H090H44	13,380	12,180
K*H100H44	14,640	13,210
K*H125H44	19,290	17,370
K*H151H44	22,770	20,400

High temp R22 not available for these models

90°F  
AMBIENT

**EXTENDED MEDIUM TEMPERATURE - HERMETIC**

MODEL	+30°F	+25°F	+20°F	+10°F	0°F
K*H055M44	7,200	6,570	5,850	4,730	3,640
K*H080M44	8,620	7,870	7,040	5,720	4,490
K*H090M44	9,950	9,140	8,210	6,750	5,340
K*H100M44	10,760	9,710	8,560	7,070	5,650
K*H125M44	14,950	13,570	12,030	9,580	7,320
K*H151M44	16,780	15,700	13,980	10,730	8,140
K*H200M44	18,430	17,020	15,500	12,140	9,040
K*H251M44	19,970	18,640	17,170	13,540	10,850
K*H301M44	30,550	27,590	24,300	18,990	14,130
K*H325M44	33,450	30,240	26,650	20,910	15,700
K*H400M44	42,210	37,400	33,470	25,890	19,900
K*H500M44	51,250	46,060	42,110	32,950	24,800

MODEL	+40°F	+35°F
K*H055H44	9,100	8,210
K*H080H44	10,690	9630
K*H090H44	12,730	11,580
K*H100H44	13,840	12,470
K*H125H44	18,220	16,400
K*H151H44	21,420	19,150

High temp R22 not available for these models

95°F  
AMBIENT

MODEL	+30°F	+25°F	+20°F	+10°F	0°F
K*H055M44	6,890	6,270	5,330	4,280	3,290
K*H080M44	8,160	7,440	6,340	5,140	4,030
K*H090M44	9,450	8,680	7,430	6,090	4,810
K*H100M44	10,120	9,130	7,680	6,350	5,190
K*H125M44	14,120	12,790	10,810	8,570	6,500
K*H151M44	15,940	14,680	13,040	9,410	7,460
K*H200M44	17,300	16,110	14,380	11,190	8,260
K*H251M44	18,580	17,520	16,010	12,560	10,100
K*H301M44	28,760	25,930	22,780	17,700	13,980
K*H325M44	31,400	28,310	24,880	19,450	15,370
K*H400M44	40,920	36,610	31,970	26,480	19,500
K*H500M44	47,870	42,950	37,840	29,520	23,240

MODEL	+40°F	+35°F
K*H055H44	8,630	7,780
K*H080H44	10,080	9080
K*H090H44	12,060	10,970
K*H100H44	13,040	11,730
K*H125H44	17,150	15,440
K*H151H44	20,060	17,900

High temp R22 not available for these models

100°F  
AMBIENT

MODEL	+30°F	+25°F	+20°F	+10°F	0°F
K*H055M44	6,550	5,960	5,290	4,230	3,240
K*H080M44	7,690	7,010	6,260	5,060	3,950
K*H090M44	8,950	8,210	7,360	6,010	4,740
K*H100M44	9,490	8,550	7,530	6,330	5,170
K*H125M44	13,290	12,030	10,620	8,380	6,310
K*H151M44	14,870	13,670	12,240	9,250	7,090
K*H200M44	16,170	15,010	13,440	10,370	7,590
K*H251M44	17,430	16,040	14,890	11,630	9,450
K*H301M44	26,970	24,260	21,260	16,420	12,870
K*H325M44	29,330	26,380	23,160	17,990	14,260
K*H400M44	39,110	34,910	30,750	23,580	18,020
K*H500M44	45,040	40,370	36,460	28,350	21,600

MODEL	+40°F	+35°F
K*H055H44	7,670	6,900
K*H080H44	8,850	7970
K*H090H44	10,720	9,720
K*H100H44	11,440	10,270
K*H125H44	15,050	13,550
K*H151H44	17,380	15,440

High temp R22 not available for these models

110°F  
AMBIENT

MODEL	+30°F	+25°F	+20°F	+10°F	0°F
K*H055M44	5,860	5,310	4,710	3,730	2,830
K*H080M44	6,750	6,150	5,460	4,380	3,400
K*H090M44	7,910	7,250	6,480	5,280	4,120
K*H100M44	8,250	7,420	6,530	5,400	4,380
K*H125M44	11,660	10,500	9,240	7,210	5,340
K*H151M44	12,380	11,440	10,070	7,470	5,670
K*H200M44	13,770	12,580	11,060	8,390	6,460
K*H251M44	15,470	13,570	12,280	9,500	7,820
K*H301M44	23,460	20,980	18,270	13,930	10,500
K*H325M44	25,330	22,640	19,780	15,170	11,440
K*H400M44	35,550	31,650	27,480	20,890	15,720
K*H500M44	37,410	33,430	29,520	22,790	16,880

**R404A RATING- MEDIUM TEMPERATURE CAPACITY (BTUH)**

**R404A MEDIUM TEMPERATURE - SEMI HERMETIC - CAPACITY (BTUH)**

		MODEL	+25°F	+20°F	+15°F	+10°F	+5°F	0°F	-5°F
<b>90°F Ambient</b>	K*S075M44†	5,880	5,270	4,680	4,130	3,610	3,130	2,700	
	K*S100M44†	8,740	7,860	7,040	6,290	5,600	4,970	4,390	
	K*S150M44†	11,270	10,070	9,010	8,050	7,170	6,340	5,540	
	K*S200M44†	15,220	13,620	12,150	10,810	9,600	8,510	7,540	
	K*S250M44	18,020	16,110	14,350	12,720	11,240	9,900	8,690	
	K*S300M44	28,110	25,130	22,370	19,840	17,510	15,390	13,460	
<b>95°F Ambient</b>	K*S075M44†	5,510	4,930	4,370	3,840	3,350	2,890	2,480	
	K*S100M44†	8,260	7,420	6,640	5,920	5,260	4,660	4,120	
	K*S150M44†	10,670	9,520	8,490	7,580	6,730	5,940	5,180	
	K*S200M44†	14,400	12,870	11,470	10,210	9,060	8,030	7,120	
	K*S250M44	16,980	15,160	13,480	11,940	10,530	9,260	8,120	
	K*S300M44	26,700	23,820	21,170	18,740	16,510	14,470	12,630	
<b>100°F Ambient</b>	K*S075M44†	5,150	4,580	4,050	3,550	3,080	2,650	2,260	
	K*S100M44†	7,770	6,970	6,230	5,550	4,930	4,360	3,840	
	K*S150M44†	10,060	8,960	7,980	7,100	6,300	5,550	4,820	
	K*S200M44†	13,570	12,120	10,800	9,610	8,530	7,560	6,700	
	K*S250M44	15,950	14,210	12,620	11,160	9,830	8,630	7,560	
	K*S300M44	25,260	22,490	19,960	17,630	15,500	13,560	11,810	
<b>110°F Ambient</b>	K*S075M44†	4,400	3,910	3,440	2,990	2,570	2,190	1,850	
	K*S100M44†	6,800	6,080	5,420	4,810	4,250	3,750	3,290	
	K*S150M44†	8,860	7,850	6,960	6,170	5,440	4,760	4,110	
	K*S200M44†	11,940	10,650	9,480	8,420	7,470	6,630	5,870	
	K*S250M44	13,880	12,330	10,910	9,620	8,450	7,400	6,470	
	K*S300M44	22,330	19,810	17,510	15,400	13,480	11,740	10,170	

**R404A MEDIUM TEMPERATURE - DISCUS - CAPACITY (BTUH)**

		MODEL	+40°F	+30°F	+25°F	+20°F	+10°F	0°F	-10°F
<b>90°F Ambient</b>	K*D500M44††	66,700	54,330	48,830	43,720	34,630	27,000	20,650	
	K*D600M44††	77,920	63,980	57,730	51,910	41,490	32,650	25,240	
<b>95°F Ambient</b>	K*D500M44††	63,420	51,560	46,300	41,430	32,750	25,480	19,430	
	K*D600M44††	74,080	60,760	54,790	49,220	39,280	30,860	23,820	
<b>100°F Ambient</b>	K*D500M44††	60,100	48,810	43,790	39,140	30,880	23,960	18,230	
	K*D600M44††	70,210	57,530	51,850	46,560	37,090	29,080	22,390	
<b>110°F Ambient</b>	K*D500M44††	53,450	43,300	38,780	34,610	27,180	20,980	15,870	
	K*D600M44††	---	51,030	45,950	41,210	32,720	25,560	19,580	

**R404A MEDIUM TEMPERATURE - SCROLL CAPACITY (BTUH)**

		MODEL	+35°	+30°	+25°	+20°	+15°	+10°	0°
<b>90°F Ambient</b>	K*O200M44	23,500	21,730	19,390	18,430	16,910	15,420	14,290	12,790
	K*O250M44	25,070	24,890	22,910	20,870	19,110	17,390	14,380	
	K*O315M44	36,540	34,010	31,450	28,940	29,670	24,130	19,730	
	K*O350M44	39,460	36,780	34,070	31,040	28,640	26,290	21,620	
	K*O400M44	46,230	42,400	39,290	36,030	33,040	35,660	25,550	
	K*O600M44	51,920	49,240	45,530	42,340	38,840	35,540	29,670	
	K*O650M44	63,020	59,090	55,220	51,210	47,120	43,820	36,250	
<b>95°F Ambient</b>	K*O200M44	22,810	21,090	19,450	17,890	16,420	14,970	12,410	
	K*O250M44	24,300	24,130	22,240	20,260	18,560	16,880	13,950	
	K*O315M44	35,470	33,010	30,530	28,100	28,810	23,420	19,150	
	K*O350M44	38,310	35,700	33,080	30,140	27,810	25,520	20,980	
	K*O400M44	44,880	41,160	38,150	34,980	32,190	34,620	24,800	
	K*O600M44	50,400	47,800	44,200	41,100	37,800	34,500	28,800	
	K*O650M44	60,240	56,520	52,860	49,060	45,560	42,050	34,840	
<b>100°F Ambient</b>	K*O200M44	21,910	20,250	18,080	17,180	15,760	14,380	11,920	
	K*O250M44	23,360	23,190	21,360	19,450	17,820	16,220	13,400	
	K*O315M44	34,060	31,690	29,320	26,980	27,650	22,490	18,380	
	K*O350M44	36,790	34,270	31,760	28,930	26,690	24,510	20,140	
	K*O400M44	43,090	39,520	36,630	33,590	30,800	33,230	23,810	
	K*O600M44	48,390	45,890	42,440	39,460	36,200	33,120	27,650	
	K*O650M44	57,410	53,900	50,450	46,860	43,190	40,230	33,390	
<b>110°F Ambient</b>	K*O200M44	20,850	18,980	17,510	16,640	15,270	13,330	11,540	
	K*O250M44	21,910	21,750	20,680	18,840	17,260	15,040	12,990	
	K*O315M44	32,440	29,710	28,400	26,130	26,790	20,850	17,810	
	K*O350M44	35,050	32,140	29,770	27,130	25,020	22,720	18,890	
	K*O400M44	41,050	37,050	34,340	31,490	28,870	30,820	22,320	
	K*O600M44	46,090	43,020	39,780	36,990	33,930	30,710	25,920	
	K*O650M44	52,330	48,490	45,450	42,280	39,030	36,410	30,290	

Models with † can be used with R407C between the ranges of -5°F and +25°F suction temp.  
 Models with †† can be used with R407C between the ranges of -10°F and +45°F suction temp.  
 Multiply the capacity of designated R404A models by .83 to obtain R407C capacity.  
 Multiply the capacity of R404A models by .98 to obtain R407A capacity.

**R22 RATING- MEDIUM TEMPERATURE CAPACITY (BTUH)**

		R22 MEDIUM TEMPERATURE - SEMI HERMETIC - CAPACITY (BTUH)							
		MODEL	+40°F	+35°F	+30°F	+25°F	+20°F	+15°F	+10°F
90°F Ambient	K*S075M44		9,390	8,480	7,580	6,740	5,960	5,260	4,550
	K*S100M44		12,550	11,460	10,350	9,340	8,410	7,570	6,710
	K*S150M44		17,270	15,510	13,950	12,420	11,110	9,930	8,870
	K*S200M44		23,400	21,270	19,140	17,270	15,400	13,680	11,960
	K*S250M44		26,210	23,820	21,440	19,260	17,240	15,430	13,570
	K*S300M44		35,880	32,610	29,330	26,320	23,510	21,010	18,520
95°F Ambient	K*S075M44		9,020	8,150	7,280	6,480	5,730	5,050	4,370
	K*S100M44		12,060	11,010	9,950	8,980	8,080	7,270	6,450
	K*S150M44		16,600	15,100	13,500	11,980	10,690	9,540	8,510
	K*S200M44		22,500	20,450	18,400	16,600	14,800	13,150	11,500
	K*S250M44		25,200	22,904	20,608	17,810	16,510	14,760	13,010
	K*S300M44		34,500	31,350	28,200	25,300	22,600	20,200	17,800
100°F Ambient	K*S075M44		8,660	7,830	6,990	6,230	5,510	4,850	4,200
	K*S100M44		11,580	10,570	9,560	8,630	7,760	6,980	6,200
	K*S150M44		15,940	14,400	12,900	11,510	10,250	9,130	8,130
	K*S200M44		21,600	19,640	17,670	15,940	14,210	12,630	11,040
	K*S250M44		24,192	22,000	19,790	17,720	15,820	14,140	12,470
	K*S300M44		33,120	30,100	27,080	24,290	21,700	19,400	17,090
110°F Ambient	K*S075M44		8,080	7,300	6,520	5,820	5,140	4,530	3,920
	K*S100M44		10,790	9,850	8,910	8,050	7,230	6,510	5,790
	K*S150M44		14,500	13,100	11,800	10,510	9,310	8,260	7,320
	K*S200M44		20,120	18,300	16,470	14,860	13,250	11,770	10,290
	K*S250M44		22,530	20,496	18,450	16,430	14,660	13,100	11,580
	K*S300M44		30,850	28,040	25,220	22,630	20,220	18,080	15,920

		R22 MEDIUM TEMPERATURE - DISCUS - CAPACITY (BTUH)							
		MODEL	+40°F	+35°F	+30°F	+25°F	+20°F	+15°F	+10°F
90°F Ambient	K*D500M44		66,700	61,050	55,400	50,200	45,350	40,770	36,200
	K*D600M44		80,258	71,429	65,899	59,462	53,467	47,701	42,735
95°F Ambient	K*D500M44		64,100	58,700	53,300	48,300	43,600	39,200	34,800
	K*D600M44		76,302	68,679	62,583	56,434	50,697	45,864	40,458
100°F Ambient	K*D500M44		61,500	49,920	51,200	46,400	41,900	37,640	33,400
	K*D600M44		72,316	58,406	59,256	53,406	47,957	44,039	38,203
110°F Ambient	K*D500M44		57,300	52,490	47,700	43,200	39,000	35,060	31,100
	K*D600M44		---	61413	52561	47329	42446	41020	33702

		R22 MEDIUM TEMPERATURE - SCROLL - CAPACITY (BTUH)							
		MODEL	+40°F	+35°F	+30°F	+25°F	+20°F	+15°F	+10°F
90°F Ambient	K*O200M44		23,880	22,530	21,240	19,450	17,940	16,330	14,720
	K*O250M44		26,850	25,330	23,230	21,000	19,520	17,710	15,930
	K*O315M44		37,900	35,760	39,650	30,170	27,330	24,880	22,400
	K*O350M44		42,040	39,660	36,730	33,620	29,750	27,300	24,820
	K*O400M44		48,250	45,520	41,800	39,110	35,050	31,900	28,740
	K*O600M44		N/A	53,970	49,830	45,250	42,250	38,640	35,040
	K*O650M44		N/A	59,570	56,490	53,410	49,730	46,050	42,370
95°F Ambient	K*O200M44		23,180	21,870	20,620	18,880	17,410	15,850	14,290
	K*O250M44		26,060	24,580	22,550	20,390	18,950	17,200	15,460
	K*O315M44		36,790	34,710	38,490	29,280	26,530	24,140	21,750
	K*O350M44		40,810	38,500	35,650	32,640	28,880	26,490	24,090
	K*O400M44		46,840	44,190	40,580	37,960	34,020	30,970	27,890
	K*O600M44		N/A	52,390	48,370	43,930	41,010	37,510	34,010
	K*O650M44		N/A	57,830	54,840	51,850	48,280	44,710	41,130
100°F Ambient	K*O200M44		22,480	21,210	20,010	18,320	16,900	15,370	13,870
	K*O250M44		25,280	23,850	21,870	19,790	18,390	16,690	15,000
	K*O315M44		35,690	33,670	37,340	28,410	25,740	23,420	21,110
	K*O350M44		39,590	37,350	34,580	31,670	28,020	25,700	23,370
	K*O400M44		45,450	42,880	39,370	36,830	33,000	30,040	27,060
	K*O600M44		N/A	50,820	46,920	42,620	39,780	36,390	32,990
	K*O650M44		N/A	56,100	53,200	50,300	46,840	43,370	39,900
110°F Ambient	K*O200M44		21,160	19,960	18,840	17,250	15,910	14,480	13,060
	K*O250M44		23,800	22,450	20,580	18,620	17,300	15,720	14,120
	K*O315M44		33,600	31,700	35,150	26,740	24,220	22,050	19,870
	K*O350M44		37,250	35,140	32,540	29,800	26,380	24,190	22,000
	K*O400M44		42,770	40,350	37,050	34,660	31,050	28,280	25,470
	K*O600M44		N/A	47,830	44,160	40,110	37,440	34,250	31,050
	K*O650M44		N/A	50,900	48,260	45,630	42,490	39,350	36,200

LOW TEMPERATURE CAPACITY (BTUH)

R404A LOW TEMPERATURE - HERMETIC - CAPACITY (BTUH)

		MODEL	0°F	-5°F	-10°F	-15°F	-20°F	-25°F	-30°F	-35°F	-40°F
90°F Ambient	K*H075L44	4,580	4,040	3,490	2,920	2,340	1,670	-----	-----	-----	-----
	K*H100L44	5,930	5,200	4,480	3,780	3,070	2,340	-----	-----	-----	-----
	K*H165L44	10,600	9,430	8,260	7,080	5,900	4,880	3,930	3,110	-----	-----
	K*H215L44	17,080	15,270	13,450	11,340	9,230	7,660	-----	-----	-----	-----
	K*H315L44	21,710	19,150	16,580	14,180	11,780	9,890	7,920	7,010	6,100	-----
95°F Ambient	K*H075L44	4,400	3,880	3,350	2,800	2,250	1,600	-----	-----	-----	-----
	K*H100L44	5,700	5,000	4,300	3,630	2,950	2,250	-----	-----	-----	-----
	K*H165L44	10,190	9,070	7,940	6,810	5,670	4,690	3,770	2,840	-----	-----
	K*H215L44	16,420	14,680	12,930	10,900	8,870	7,360	5,940	-----	-----	-----
	K*H315L44	20,870	18,410	15,940	13,630	11,320	9,508	7,610	6,560	-----	-----
100°F Ambient	K*H075L44	4,230	3,730	3,220	2,690	2,160	1,540	-----	-----	-----	-----
	K*H100L44	5,480	4,800	4,130	3,490	2,840	2,160	-----	-----	-----	-----
	K*H165L44	9,790	8,710	7,630	6,540	5,450	4,510	3,620	2,880	-----	-----
	K*H215L44	15,770	14,090	12,420	10,470	8,520	7,070	-----	-----	-----	-----
	K*H315L44	20,040	17,670	15,310	13,090	10,870	9,130	7,310	6,470	5,630	-----
110°F Ambient	K*H075L44	3,950	3,490	3,010	2,520	2,020	1,440	-----	-----	-----	-----
	K*H100L44	5,120	4,480	3,860	3,260	2,650	2,020	-----	-----	-----	-----
	K*H165L44	9,200	8,190	7,170	6,150	5,130	4,240	3,410	2,710	-----	-----
	K*H215L44	14,830	13,250	11,670	9,840	8,010	6,650	-----	-----	-----	-----
	K*H315L44	18,830	16,610	14,390	12,300	10,220	8,590	6,870	6,090	5,290	-----

Low Temperature hermetic compressor models are not suitable for use with R22.

R404A LOW TEMPERATURE - SEMI HERMETIC - CAPACITY (BTUH)

		MODEL	0°F	-5°F	-10°F	-15°F	-20°F	-25°F	-30°F	-35°F	-40°F
90°F Ambient	K*S050L44	3,120	2,810	2,500	2,190	1,880	1,620	1,360	1,150	940	-----
	K*S075L44	5,200	4,680	4,160	3,700	3,230	2,810	2,400	2,030	1,670	-----
	K*S100L44	7,080	6,400	5,720	5,150	4,580	4,010	3,440	2,970	2,500	-----
	K*S150L44	10,920	9,940	8,950	8,010	7,080	6,240	5,410	4,740	4,060	-----
	K*S200L44	14,360	12,950	11,550	10,300	9,050	7,910	6,760	5,880	5,000	-----
	K*S300L44	21,740	19,560	17,370	15,340	13,320	11,500	9,680	8,120	6,560	-----
95°F Ambient	K*S050L44	3,000	2,700	2,400	2,100	1,800	1,550	1,300	1,060	900	-----
	K*S075L44	5,000	4,500	4,000	3,550	3,100	2,700	2,300	1,880	1,600	-----
	K*S100L44	6,800	6,150	5,500	4,950	4,400	3,850	3,300	2,760	2,400	-----
	K*S150L44	10,500	9,550	8,600	7,700	6,800	6,000	5,200	4,420	3,900	-----
	K*S200L44	13,800	12,450	11,100	9,900	8,700	7,600	6,500	5,480	4,300	-----
	K*S300L44	20,900	18,800	16,700	14,750	12,800	11,050	9,300	7,500	6,300	-----
100°F Ambient	K*S050L44	2,880	2,600	2,310	2,020	1,730	1,490	1,250	1,060	870	-----
	K*S075L44	4,800	4,320	3,840	3,410	2,980	2,600	2,210	1,880	1,540	-----
	K*S100L44	6,530	5,910	5,280	4,760	4,230	3,700	3,170	2,740	2,310	-----
	K*S150L44	10,080	9,170	8,260	7,400	6,530	5,760	5,000	4,370	3,750	-----
	K*S200L44	13,250	11,960	10,660	9,510	8,360	7,300	6,240	5,430	4,610	-----
	K*S300L44	20,070	18,050	16,040	14,160	12,290	10,610	8,930	7,490	6,050	-----
110°F Ambient	K*S050L44	2,690	2,430	2,160	1,890	1,620	1,400	1,170	990	820	-----
	K*S075L44	4,480	4,030	3,580	3,190	2,790	2,430	2,070	1,760	1,440	-----
	K*S100L44	6,090	5,510	4,920	4,440	3,950	3,460	2,960	2,570	2,160	-----
	K*S150L44	9,390	8,550	7,700	6,900	6,090	5,370	4,660	4,080	3,500	-----
	K*S200L44	12,340	11,150	9,940	8,860	7,790	6,800	5,820	5,070	4,300	-----
	K*S300L44	18,700	16,820	14,940	13,200	11,450	9,890	8,330	6,990	5,640	-----

R22 LOW TEMPERATURE - SEMI HERMETIC - CAPACITY (BTUH)

		MODEL	0°F	-5°F	-10°F	-15°F	-20°F	-25°F	-30°F	-35°F	-40°F
90°F Ambient	K*S050L44	3,440	3,020	2,600	2,220	1,820	1,510	1,200	970	730	-----
	K*S075L44	5,670	5,030	4,370	3,830	3,280	2,810	2,340	1,960	1,560	-----
	K*S100L44	7,490	6,660	5,830	5,100	4,370	3,780	3,180	2,710	2,240	-----
	K*S200L22	8,840	7,780	6,710	5,880	5,050	4,370	3,700	3,120	2,550	-----
	K*S200L44	14,360	12,740	11,130	9,680	8,220	7,020	5,830	5,050	4,270	-----
95°F Ambient	K*S050L44	3,300	2,900	2,500	2,130	1,750	1,450	1,150	930	700	-----
	K*S075L44	5,450	4,830	4,200	3,680	3,150	2,700	2,250	1,880	1,500	-----
	K*S100L44	7,200	6,400	5,600	4,900	4,200	3,630	3,050	2,600	2,150	-----
	K*S200L22	8,500	7,480	6,450	5,650	4,850	4,200	3,550	3,000	2,450	-----
	K*S200L44	13,800	12,250	10,700	9,300	7,900	6,750	5,600	4,850	4,100	-----
100°F Ambient	K*S050L44	3,170	2,790	2,400	2,050	1,680	1,400	1,110	900	680	-----
	K*S075L44	5,240	4,640	4,040	3,540	3,030	2,600	2,160	1,810	1,440	-----
	K*S100L44	6,920	6,150	5,380	4,710	4,040	3,490	2,930	2,500	2,070	-----
	K*S200L22	8,160	7,190	6,200	5,430	4,660	4,040	3,410	2,880	2,360	-----
	K*S200L44	13,250	11,760	10,280	8,930	7,590	6,480	5,380	4,660	3,940	-----
110°F Ambient	K*S050L44	2,970	2,610	2,250	1,917	1,575	1,305	1,035	837	630	-----
	K*S075L44	4,905	4,347	3,780	3,312	2,835	2,430	2,025	1,692	1,350	-----
	K*S100L44	6,480	5,760	5,040	4,410	3,780	3,267	2,745	2,340	1,935	-----
	K*S200L22	7,650	6,732	5,805	5,085	4,365	3,780	3,195	2,700	2,205	-----
	K*S200L44	12,420	11,025	9,630	8,370	7,110	6,075	5,040	4,365	3,690	-----

K\*S200L22 is not a dual refrigerant condensing unit

There are no R22 ratings for models K\*S150L44 & K\*S300L44



LOW TEMPERATURE CAPACITY (BTUH)

R404A LOW TEMPERATURE - SCROLL - CAPACITY (BTUH)

	MODEL	0°F	-5°F	-10°F	-15°F	-20°F	-25°F	-30°F	-35°F	-40°F
90°F Ambient	K*O200L44	11,670	10,690	9,690	8,800	7,910	7,080	6,300	4,850	4,530
	K*O250L44	14,210	13,340	12,470	11,420	10,370	9,250	7,960	6,970	5,980
	K*O300L44	16,440	15,120	13,790	12,790	11,710	9,970	8,930	7,830	6,720
	K*O301L44	19,330	17,670	16,000	14,550	12,960	11,590	10,470	9,420	8,360
	K*O400L44	24,820	22,610	20,400	18,360	16,320	14,510	12,810	10,840	8,860
	K*O500L44	29,350	26,860	24,360	21,980	19,830	17,790	15,326	14,010	12,350
	K*O600L44	34,410	31,320	28,230	25,550	22,770	20,400	17,930	15,970	14,010
95°F Ambient	K*O200L44	11,330	10,370	9,400	8,540	7,670	6,870	6,110	4,700	4,390
	K*O250L44	13,800	12,950	12,100	11,080	10,060	8,980	7,720	6,760	5,800
	K*O300L44	15,960	14,670	13,380	12,410	11,360	9,680	8,670	7,600	6,520
	K*O301L44	18,760	17,150	15,530	14,120	12,580	11,250	10,160	9,140	8,110
	K*O400L44	24,090	21,950	19,800	17,820	15,940	14,080	12,430	10,520	8,600
	K*O500L44	28,490	26,070	23,650	21,340	19,250	17,270	14,880	13,600	11,990
	K*O600L44	33,400	30,400	27,400	24,800	22,100	19,800	17,600	15,500	13,600
100°F Ambient	K*O200L44	10,160	9,310	8,430	7,660	6,880	6,170	5,490	4,720	3,940
	K*O250L44	13,250	12,440	11,620	10,640	9,660	8,630	7,420	6,490	5,570
	K*O300L44	15,330	14,090	12,850	11,920	10,910	9,300	8,330	7,300	6,260
	K*O301L44	18,010	16,470	14,910	13,560	12,080	10,800	9,760	8,780	7,790
	K*O400L44	23,130	21,080	19,010	17,110	15,210	13,520	11,940	10,100	8,260
	K*O500L44	27,350	25,030	22,710	20,490	18,480	16,580	14,590	13,060	11,510
	K*O600L44	32,070	29,190	26,310	23,810	21,220	19,010	16,710	14,880	13,060
110°F Ambient	K*O200L44	9,530	8,730	7,910	7,180	6,450	5,780	5,140	4,420	3,690
	K*O250L44	12,420	11,660	10,890	9,980	9,060	8,090	6,950	6,090	5,220
	K*O300L44	14,370	13,210	12,050	11,170	10,230	8,720	7,810	6,840	5,870
	K*O301L44	16,890	15,440	13,980	12,710	11,330	10,130	9,150	8,230	7,300
	K*O400L44	21,690	19,760	17,820	16,040	14,260	12,680	11,190	9,470	7,740
	K*O500L44	25,650	23,470	21,290	19,210	17,330	15,550	13,680	12,240	10,800
	K*O600L44	30,060	27,360	24,660	22,320	19,890	17,820	15,660	13,950	12,240

Low Temperature Scroll compressor models are not suitable for use with R22.

R404A LOW TEMPERATURE - DISCUS - CAPACITY (BTUH)

	MODEL	0°F	-5°F	-10°F	-15°F	-20°F	-25°F	-30°F	-35°F	-40°F
90°F Ambient	K*D300L44	30,890	27,820	24,760	21,900	19,040	16,640	14,250	12,120	9,990
	K*D400L44	35,470	31,670	27,880	25,280	22,680	20,130	17,580	15,550	13,520
	K*D500L44	41,080	37,240	33,390	29,850	26,320	23,350	20,390	18,000	15,600
95°F Ambient	K*D300L44	29,700	26,750	23,800	21,050	18,300	16,000	13,700	11,240	9,600
	K*D400L44	34,100	30,450	26,800	24,300	21,800	19,350	16,900	14,560	13,000
	K*D500L44	39,500	35,800	32,100	28,700	25,300	22,450	19,600	16,840	15,000
100°F Ambient	K*D300L44	28,520	25,680	22,850	20,210	17,570	15,360	13,160	11,190	9,220
	K*D400L44	32,740	29,240	25,730	23,330	20,930	18,580	16,230	14,360	12,480
	K*D500L44	37,920	34,370	30,820	27,560	24,290	21,560	18,820	16,610	14,400
110°F Ambient	K*D300L44	26,560	23,930	21,290	18,830	16,370	14,310	12,270	10,430	8,600
	K*D400L44	30,500	27,240	23,970	21,730	19,500	17,310	15,130	13,380	11,640
	K*D500L44	35,320	32,010	28,710	25,670	22,630	20,080	17,530	15,480	13,420

R22 LOW TEMPERATURE - DISCUS - CAPACITY (BTUH)

	MODEL	0°F	-5°F	-10°F	-15°F	-20°F	-25°F	-30°F	-35°F	-40°F
90°F Ambient	K*D300L44	27,770	24,600	21,430	18,830	16,230	14,100	11,960	10,090	8,220
	K*D400L44	32,040	28,550	25,070	21,950	18,830	16,180	13,520	11,340	9,160
	K*D500L44	38,800	34,580	30,370	26,680	22,990	19,820	16,640	14,040	11,440
95°F Ambient	K*D300L44	26,700	23,650	20,600	18,100	15,600	13,550	11,500	9,700	7,900
	K*D400L44	30,800	27,450	24,100	21,100	18,100	15,550	13,000	10,900	8,800
	K*D500L44	37,300	33,250	29,200	25,650	22,100	19,050	16,000	13,500	11,000
100°F Ambient	K*D300L44	25,640	22,710	19,780	17,380	14,980	13,010	11,040	9,320	7,590
	K*D400L44	29,570	26,360	23,140	20,260	17,380	14,930	12,480	10,470	8,450
	K*D500L44	35,810	31,920	28,040	24,630	21,220	18,290	15,360	12,960	10,560
110°F Ambient	K*D300L44	24,000	21,300	18,500	16,300	14,000	12,200	10,400	8,730	7,110
	K*D400L44	27,720	24,705	21,690	18,990	16,290	13,995	11,700	9,810	7,920
	K*D500L44	33,570	29,925	26,280	23,085	19,890	17,145	14,400	12,150	9,900

## ELECTRICAL DATA

MODEL NUMBER	COMP. MODEL NUMBER	AMPS @ 208/230/1/60					AMPS @ 208/230/3/60					AMPS @ 460/3/60				
		COMPRESSOR		COND	TOTAL	MCA	COMPRESSOR		COND	TOTAL	MCA	COMPRESSOR		COND	TOTAL	MCA
		RLA	LRA	FLA	UNIT†	‡	RLA	LRA	FLA	UNIT†	‡	RLA	LRA	FLA	UNIT†	‡
K*H055M44	RST45C1E	4.6	26.5	0.5	6.1	15.0	---	---	---	---	---	---	---	---	---	---
K*H080M44	RST55C1E	6.1	33.7	0.5	7.6	15.0	---	---	---	---	---	---	---	---	---	---
K*H090M44	RST64C1E	8.0	43.0	0.5	9.5	15.0	---	---	---	---	---	---	---	---	---	---
K*H100M44	RST70C1E	6.9	46.0	0.5	8.4	15.0	4.9	36.0	0.5	6.4	15.0	---	---	---	---	---
K*H125M44	RST97C1E	9.0	51.0	1.0	11.0	15.0	5.4	36.0	1.0	7.4	15.0	---	---	---	---	---
K*H151M44	CS10K6E	9.8	56.0	1.0	11.8	15.0	6.7	51.0	1.0	8.7	15.0	3.2	25.0	0.8	4.5	15.0
K*H200M44	CS12K6E	9.8	56.0	1.0	11.8	15.0	6.7	51.0	1.0	8.7	15.0	---	---	---	---	---
K*H251M44	CS14K6E	11.2	61.0	1.0	13.2	16.0	8.4	55.0	1.0	10.4	15.0	4.2	28.0	0.8	5.5	15.0
K*H301M44	CS18K6E	14.4	82.0	1.0	16.4	19.9	9.4	65.5	1.0	11.4	15.0	4.2	33.0	0.8	5.5	15.0
K*H325M44	CS20K6E	16.7	96.0	1.0	18.7	22.9	10.2	75.0	1.0	12.2	15.0	4.6	40.0	0.8	5.9	15.0
K*H400M44	CS27K6E	21.5	121.0	3.1	25.6	31.0	12.1	105.0	3.1	16.2	19.2	7.5	52.0	2.5	10.5	15.0
K*H500M44	CS33K6E	27.6	125.0	3.1	31.7	38.6	16.8	102.0	3.1	20.9	25.1	8.9	48.0	2.5	11.9	15.0
K*H055H44	RST45C1E	4.6	26.5	0.5	6.1	15.0	---	---	---	---	---	---	---	---	---	---
K*H090H44	RST64C1E	8.0	43.0	0.5	9.5	15.0	---	---	---	---	---	---	---	---	---	---
K*H100H44	RST70C1E	6.9	46.0	0.5	8.4	15.0	4.9	36.0	0.5	6.4	15.0	---	---	---	---	---
K*H151H44	CS10K6E	11.1	56.0	1.0	13.1	16.0	7.2	51.0	1.0	9.2	15.0	---	---	---	---	---
K*H251H44	CS14K6E	12.4	61.0	1	14.4	18.0	8.5	55.0	1	10.5	15.0	---	---	---	---	---
K*H325H44	CS20K6E	17.9	96.0	3.1	22	27.0	13.3	75.0	3.1	17.4	21.0	---	---	---	---	---
K*H400H44	CS27K6E	23.7	121.0	3.1	27.8	34.0	14.1	105.0	3.1	18.2	22.0	---	---	---	---	---
K*H500H44	CS33K6E	30.1	125.0	3.1	34.2	42.0	16.5	102.0	3.1	20.6	25.0	---	---	---	---	---
K*H075L44	RST70C1E	6.9	46.0	0.5	8.4	15.0	4.9	36.0	0.5	6.4	15.0	---	---	---	---	---
K*H100L44	RST97C1E	9.0	51.0	1.0	11.0	15.0	5.4	36.0	1.0	7.4	15.0	---	---	---	---	---
K*H165L44	CF06K6E	10.2	59.2	1.0	12.2	15.0	6.3	52.0	1.0	8.3	15.0	3.3	25.4	0.8	4.6	15.0
K*H215L44	CF09K6E	15.0	87.0	1.0	17.0	20.7	9.2	72.2	1.0	11.2	15.0	4.9	35.8	0.8	6.2	15.0
K*H315L44	CF12K6E	18.4	105.0	1.0	20.4	25.0	11.0	85.0	1.0	13.0	15.8	5.9	42.0	0.8	7.2	15.0
K*S075M44	KAN-007E	5.5	36.0	0.5	7.0	15.0	3.1	19.9	0.5	4.6	15.0	---	---	---	---	---
K*S100M44	KAR-010E	6.6	40.0	0.5	8.1	15.0	3.9	27.0	0.5	5.4	15.0	---	---	---	---	---
K*S150M44	KAG-010E	---	---	---	---	---	3.8	27.0	0.5	5.8	15.0	---	---	---	---	---
K*S200M44	KAK-02 <sup>2</sup> E	9.5	55.0	1.0	11.5	15.0	6.1	50.0	1.0	8.1	15.0	---	---	---	---	---
K*S250M44	ERC-021E	---	---	---	---	---	7.9	46.0	1.0	9.9	15.0	3.1	23.0	0.8	4.4	15.0
K*S300M44	ERF-031E	15.3	86.0	3.1	19.4	23.2	11.1	82.0	3.1	15.2	18.0	5.2	41.0	2.5	8.2	15.0
K*S050L44	KAN-005E	3.2	24.0	0.5	4.7	15.0	2.0	13.2	0.5	3.5	15.0	---	---	---	---	---
K*S075L44	KAM-007E	5.0	36.0	0.5	6.5	15.0	2.9	19.9	0.5	4.4	15.0	---	---	---	---	---
K*S100L44	KAJ-01 <sup>2</sup> E	6.2	40.0	0.5	7.7	15.0	4.1	27.0	0.5	5.6	15.0	1.9	15	0.4	2.8	15.0
K*S150L44	KAL-01 <sup>2</sup> E	8.9	55.0	1.0	10.9	15.0	5.9	50.0	1.0	7.9	15.0	3.1	25	0.8	4.4	15.0
K*S200L22	KAK-020E	---	---	---	---	---	6.1	50.0	1.0	8.1	15.0	---	---	---	---	---
K*S200L44	EAV-021E	13.2	102.0	1.0	15.2	18.5	6.6	50.0	1.0	8.6	15.0	3.5	26.6	0.8	4.8	15.0
K*S300L44	LAH-032E	15.0	105.0	1.0	17.0	20.7	11.5	112.0	1.0	13.5	16.4	5.4	56.0	0.8	6.7	15.0
K*O200M44	ZS15KAE	14.1	68.0	1.0	16.1	19.6	9.6	58.0	1.0	11.6	15.0	4.8	29.0	0.4	5.7	15.0
K*O250M44	ZS19KAE	16.2	75.0	1.0	18.2	22.2	12.3	73.0	1.0	14.3	17.4	5.8	38.0	0.4	6.7	15.0
K*O300M44	ZS21KAE	20.8	112.0	3.1	24.9	30.1	13.7	93.0	3.1	17.8	21.2	6.2	48.0	2.5	9.2	15.0
K*O301M44	ZS26KAE	21.2	104.0	3.1	25.3	30.6	13.9	93.0	3.1	18.0	21.5	6.2	48.0	2.5	9.2	15.0
K*O400M44	ZS29KAE	23.4	137.0	3.1	27.5	33.4	18.4	114.0	3.1	22.5	27.1	8.4	58.0	2.5	11.4	13.5
K*O600M44	ZS38K4E	28.5	169.0	3.1	32.6	39.8	19.2	123.0	3.1	23.3	28.1	8.6	62.0	2.5	11.6	15.0
K*O650M44	ZS45K4E	---	---	---	---	---	21.4	156.0	3.1	25.5	30.9	9.3	75.0	2.5	12.3	15.0
K*O200L44	ZF06K4E	12.2	61.0	1.0	14.2	17.3	8.3	55.0	1.0	10.3	15.0	3.9	27.0	0.8	5.2	15.0
K*O250L44	ZF08K4E	14.7	73.0	1.0	16.7	20.4	8.6	63.0	1.0	10.6	15.0	4.5	31.0	0.8	5.8	15.0
K*O300L44	ZF09K4E	14.7	88.0	1.0	16.7	20.4	8.9	77.0	1.0	10.9	15.0	5.1	39.0	0.8	6.4	15.0
K*O301L44	ZF11K4E	18.6	109.0	1.0	20.6	25.2	11.4	88.0	1.0	13.4	16.3	6.4	44.0	0.8	7.7	15.0
K*O400L44	ZF13K4E	24.1	129.0	3.2	28.2	34.2	13.5	99.0	3.1	17.6	20.9	7.4	49.5	2.5	10.4	15.0
K*O500L44	ZF15K4E	28.5	169.0	3.2	32.6	39.8	19.2	123.0	3.1	23.3	28.1	8.6	62.0	2.5	11.6	15.0
K*O600L44	ZF18K4E	---	---	---	---	---	21.4	156.0	3.1	25.5	30.9	9.3	75.0	2.5	12.3	15.0
K*D500M44	2DD-R63KE	---	---	---	---	---	20.0	120.0	3.1	24.1	29.1	9.4	60.0	2.5	12.4	16.0
K*D600M44	2DL-R78KE	---	---	---	---	---	28.4	169.0	3.1	32.5	39.5	12.5	85.0	2.5	15.5	18.6
K*D300L44	2DF-F16KE	---	---	---	---	---	15.2	102.0	3.1	19.3	23.1	7.3	52.0	2.5	10.3	15.0
K*D400L44	2DL-F20KE	---	---	---	---	---	23.6	161.0	3.1	27.7	33.6	7.8	60.0	2.5	10.8	15.0
K*D500L44	2DA-F23KE	---	---	---	---	---	25.8	161.0	3.1	29.9	36.4	8.7	60.0	2.5	11.7	15.0

x variable character based upon voltage ordered.

†Total Unit Amps includes approximate allowance for control circuit as follows: 1A - 208/230V; 0.5A - 460V.

‡MCA Minimum Circuit Ampacity does not include evaporator(s) electrical requirements. (Evaporator fan motor amps, defrost heater amps) Contact Applications Engineering for MCA and MOPD ratings when defrost kits are added.

SPECIFICATIONS

MODEL NUMBER	COMP. MODEL	NOM. HP	REC'R @ 90% R-404a (LBS)	CONN. (ODS, IN.)		FIG	DIMENSIONS (in.)			APPROX. SHIP WT. (lbs.)	SOUND DATA dbA†
				LIQ.	SUC.		L	W	H		
K*H055M44	RST45C1E	1/2	5.1	3/8	5/8	A	28-1/4	27-3/4	17-1/4	152	68
K*H080M44	RST55C1E	1/2	5.1	3/8	5/8	A	28-1/4	27-3/4	17-1/4	156	68
K*H090M44	RST64C1E	3/4	5.1	3/8	5/8	A	28-1/4	27-3/4	17-1/4	160	68
K*H100M44	RST70C1E	3/4	5.1	3/8	5/8	A	28-1/4	27-3/4	17-1/4	167	68
K*H125M44	RST97C1E	1	8.6	3/8	5/8	B	28-1/4	39-3/4	17-1/4	195	72
K*H151M44	CS10K6E	1-1/2	8.6	3/8	7/8	B	28-1/4	39-3/4	17-1/4	205	72
K*H200M44	CS12K6E	2	8.6	3/8	7/8	B	28-1/4	39-3/4	17-1/4	228	72
K*H251M44	CS14K6E	2-1/2	8.6	3/8	7/8	B	28-1/4	39-3/4	17-1/4	235	72
K*H301M44	CS18K6E	3	8.6	3/8	7/8	C	28-1/4	39-3/4	20-1/4	253	73
K*H325M44	CS20K6E	3	13.7	1/2	1-1/8	C	28-1/4	39-3/4	20-1/4	273	73
K*H400M44	CS27K6E	4	24.3	1/2	1-1/8	D	33	43-3/4	32-1/4	390	75
K*H500M44	CS33K6E	5	24.3	1/2	1-1/8	D	33	43-3/4	32-1/4	405	75
K*H055H44	RST45C1E	1/2	5.1	3/8	5/8	A	28-1/4	27-3/4	17-1/4	165	68
K*H090H44	RST64C1E	3/4	5.1	3/8	5/8	A	28-1/4	27-3/4	17-1/4	173	68
K*H100H44	RS70C1E	1	5.1	3/8	5/8	A	28-1/4	27-3/4	17-1/4	180	68
K*H151H44	CS10K6E	1-1/2	8.6	3/8	5/8	B	28-1/4	39-3/4	17-1/4	221	72
K*H251H44	CS14K6E	2-1/2	8.6	3/8	7/8	B	28-1/4	39-3/4	17-1/4	253	73
K*H325H44	CS20K6E	3	13.7	1/2	1-1/8	C	28-1/4	39-3/4	20-1/4	297	73
K*H400H44	CS27K6E	4	24.3	1/2	1-1/8	D	33	43-3/4	32-1/4	416	75
K*H500H44	CS33K6E	5	24.3	1/2	1-1/8	D	33	43-3/4	32-1/4	433	75
K*H075L44	RST70C1E	3/4	5.1	3/8	5/8	A	28-1/4	27-3/4	17-1/4	157	68
K*H100L44	RST97C1E	1	5.1	3/8	5/8	A	28-1/4	27-3/4	17-1/4	180	72
K*H165L44	CF06K6E	1-1/2	8.6	3/8	7/8	B	28-1/4	38-1/4	17-1/4	195	74
K*H215L44	CF09K6E	2	8.6	3/8	7/8	B	28-1/4	38-1/4	17-1/4	243	75
K*H315L44	CF12K6E	3	13.7	1/2	1-1/8	C	28-1/4	38-1/4	20-1/4	255	77
K*S075M44	KAN-007E	3/4	6.0	3/8	5/8	A	28-1/4	27-3/4	17-1/4	215	67
K*S100M44	KAR-010E	1	5.1	3/8	5/8	A	28-1/4	27-3/4	17-1/4	220	67
K*S150M44	KAG-010E	1-1/2	8.6	3/8	7/8	B	28-1/4	39-3/4	17-1/4	245	70
K*S200M44	KAK-02 <sup>x</sup> E	2	8.6	3/8	7/8	B	28-1/4	39-3/4	17-1/4	270	70
K*S250M44	ERC-02 <sup>x</sup> E	2-1/2	8.6	3/8	7/8	B	28-1/4	39-3/4	20-1/4	340	70
K*S300M44	ERF-031E	3	24.3	1/2	1-1/8	D	33	43-3/4	32-1/4	415	70
K*S050L44	KAN-005E	1/2	5.1	3/8	5/8	A	28-1/4	27-3/4	17-1/4	189	67
K*S075L44	KAM-007E	3/4	5.1	3/8	5/8	A	28-1/4	27-3/4	17-1/4	205	67
K*S100L44	KAJ-01 <sup>x</sup> E	1	8.6	3/8	5/8	A	28-1/4	27-3/4	17-1/4	220	70
K*S150L44	KAL-01 <sup>x</sup> E	1-1/2	8.6	3/8	7/8	B	28-1/4	39-3/4	17-1/4	248	70
K*S200L22	KAK-021E	2	10.0	3/8	7/8	B	28-1/4	38-1/4	17-1/4	290	70
K*S200L44	EAV-021E	2	8.6	3/8	7/8	B	28-1/4	39-3/4	17-1/4	290	70
K*S300L44	LAH-032E	3	13.7	1/2	1-1/8	C	28-1/4	39-3/4	20-1/4	383	70
K*O200M44	ZS15KAE	2	13.7	1/2	7/8	C	28-1/4	39-3/4	20-1/4	215	71
K*O250M44	ZS19KAE	2-1/2	13.7	1/2	1-1/8	C	28-1/4	39-3/4	20-1/4	230	72
K*O315M44	ZS21KAE	3	13.7	1/2	1-1/8	D	33	43-3/4	32-1/4	305	72
K*O350M44	ZS26KAE	3	13.7	1/2	1-1/8	D	33	43-3/4	32-1/4	325	72
K*O400M44	ZS29KAE	4	24.3	1/2	1-1/8	D	33	43-3/4	32-1/4	352	74
K*O600M44	ZS38K4E	6	24.3	1/2	1-1/8	D	33	43-3/4	32-1/4	383	74
K*O650M44	ZS45K4E	6-1/2	24.3	5/8	1-1/8	D	33	43-3/4	32-1/4	405	76
K*O200L44	ZF06K4E	2	13.7	1/2	7/8	C	28-1/4	39-3/4	20-1/4	230	71
K*O250L44	ZF08K4E	2-1/2	13.7	1/2	7/8	C	28-1/4	39-3/4	20-1/4	240	73
K*O300L44	ZF09K4E	3	13.7	1/2	1-1/8	C	28-1/4	39-3/4	20-1/4	245	73
K*O301L44	ZF11K4E	3	13.7	1/2	1-1/8	C	28-1/4	39-3/4	20-1/4	255	73
K*O400L44	ZF13K4E	4	24.3	1/2	1-1/8	D	33	43-3/4	32-1/4	352	73
K*O500L44	ZF15K4E	5	24.3	1/2	1-1/8	D	33	43-3/4	32-1/4	367	74
K*O600L44	ZF18K4E	6	24.3	1/2	1-1/8	D	33	43-3/4	32-1/4	383	76
K*D500M44	2DD-R63KE	5	24.3	1/2	1-1/8	D	33	43-3/4	32-1/4	630	78
K*D600M44	2DL-R78KE	6	24.3	5/8	1-1/8	D	33	43-3/4	32-1/4	630	78
K*D300L44	2DF-F16KE	3	24.3	1/2	1-1/8	D	33	43-3/4	32-1/4	575	78
K*D400L44	2DL-F20KE	4	24.3	1/2	1-1/8	D	33	43-3/4	32-1/4	600	78
K*D500L44	2DA-F23KE	5	24.3	1/2	1-1/8	D	33	43-3/4	32-1/4	620	78

x variable character based upon voltage ordered.

† Estimated dbA values at 10 feet from the unit. Correction factors: Deduct 6 dbA. for 20 to 40 feet, 12 dbA @ 40 to 60 feet.

‡ Ratings at the outlet of the discharge air. The actual measurements may vary depending upon installation variables.

Environmental factors may have a significant influence on this data.

PHYSICAL DIMENSIONS – ALL MODELS

Figure A

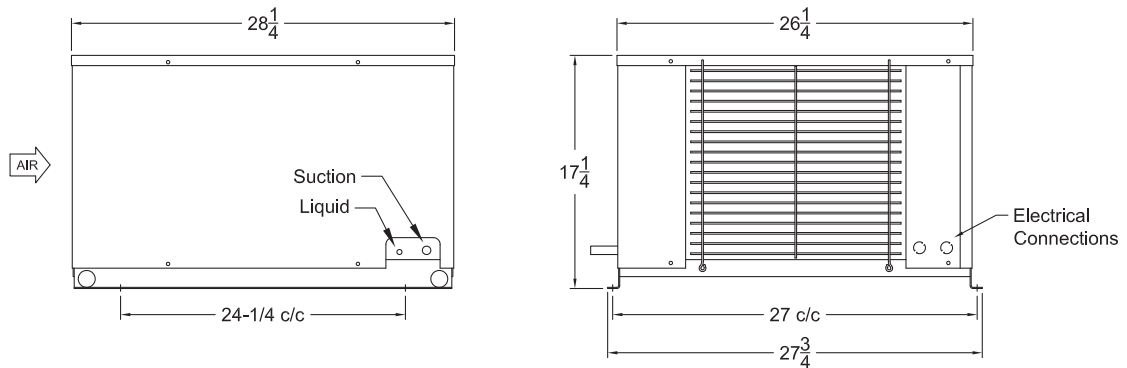
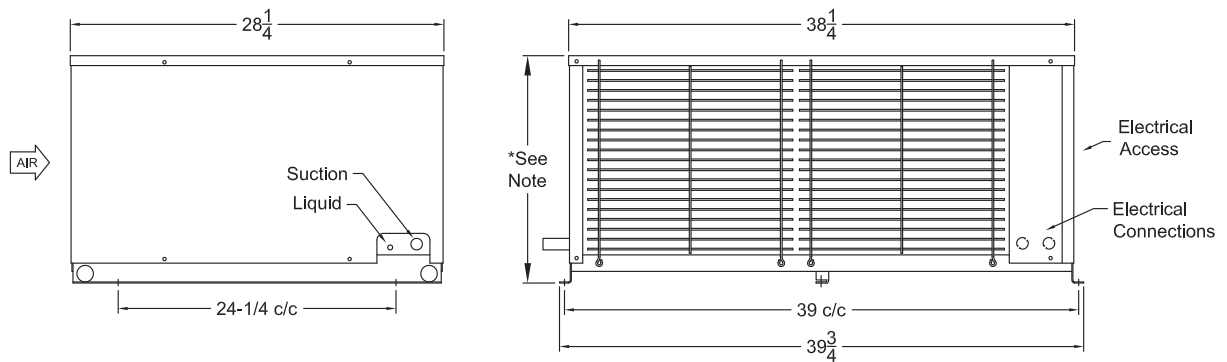
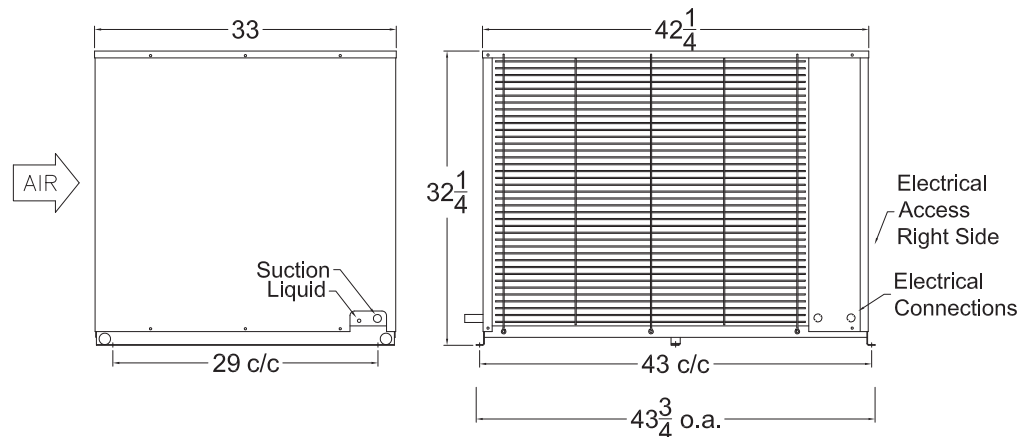


Figure B & C



\* Figure B - 17-1/4" height (Uses 2 grill pieces as shown).  
 Figure C - 20-1/4" height (Single grill piece, not shown).

Figure D



Due to ongoing product improvement, specifications are subject to change without notice.