

## LIST PRICES

January 2018

### INDEX

#### AIR COOLED CONDENSERS

MultiCon Air Cooled Condenser - RDS, RDD	20
MultiCon Air Cooled Condenser - RAC, TD, VAC, VEQ, ACS, ACL	21
MultiCon Computer Room Air Cooled Condenser - CAC	22

#### CONDENSING UNITS

Next-Gen MiniCon Air Cooled Condensing Units - RF*, RB*, RV*	22
MiniCon Air-Cooled Condensing Units - R*H, R*S, R*O, R*D	23
Next-Gen II Air Cooled Condensing Units - RF*, RB*	23
"D" Style Air-Cooled Condensing Units - DC, DE, DS, DL	24
Russette Air-Cooled Condensing Units - RC, RE, RS	24
Russcon Air-Cooled Condensing Units - H, L, M	24
"V" Style Air-Cooled Condensing Units - VC, VL, VS	24

#### FLUID COOLERS

MultiCon Air-Cooled Fluid Coolers - FVAC, FTD, FVAC	21-22
---	-------

#### MOTORS

Motor Cross-Reference Chart	31
-----------------------------	----

#### WALK-IN / WAREHOUSE EVAPORATORS

Next-Gen All-Temp - RLA, RLE, RLH, RLG	3-4
All-Temp Vintage C - AA*C, AE*C	4
All-Temp <sup>2</sup> B - AA*B, AE*B, AG*B, AH*B (Built after 10/1991)	5
All-Temp <sup>2</sup> B - AA*B, AE*B, AG*B, AH*B (Built after 04/2004)	6
All-Temp <sup>2</sup> - AA, AE, AG, AH	6
All-Temp - AL	7
All-TempB - AL*B	7

#### WALK-IN / WAREHOUSE EVAPORATORS cont.

Ceiling-Temp - CTA, CTE	8
Flow Temp - RWF models	8
Flow-Temp - FL, FL*(E), FL*(G), FL*(H)	9
Inter-Temp - ITA, ITE, ITG, ITH	10-11
Ultra-Temp - U*U, U*L, U*M, UAH	12-13
Surveillant Demand Defrost Controller replacement Parts	5

#### REACH - IN EVAPORATORS

ASL, ASLE, ASLA	15
FLEX AIR - FT	14
Hi-Temp -HI	14
MINI TWIN AIR - MTW	16
MULLION AIR - MDF, MUF	16
SLIM AIR - SL, SLA, SLE	16-17
T-TEMP - TT	18
TWIN Temp - TW	18
WALL-TEMP - WA	19
WEDGE-TEMP - WE	19

#### SYSTEMS

High Sierra (Low Temp)	25-26
High Sierra (Med. Temp)	27-29
APEX - XN, XT	30

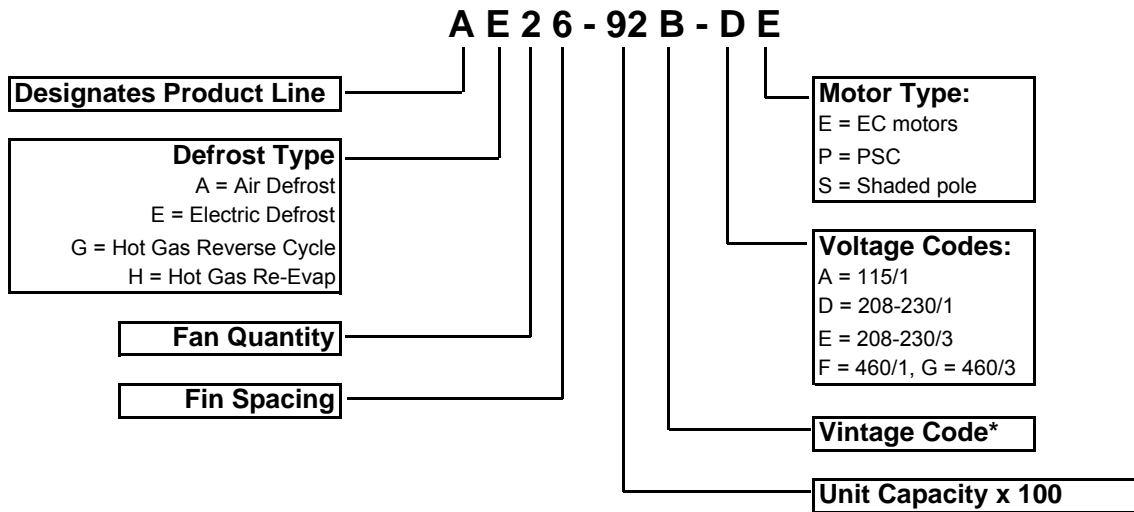
Due to ongoing product development, specification and prices are subject to change without notice.

# ORDERING INFORMATION

1. All orders are subject to a \$30.00 net minimum billing.
2. All orders are subject to RUSSELL's Terms and Conditions of Sale.
3. All parts are shipped FOB point of shipping:
  - a.) Parts are typically shipped in cardboard cartons/unless size or weight will not permit.
  - b.) Any PARTS order that requires crating cannot be shipped by United Parcel Service.
  - c.) An example of parts that must be crated are metal components such as; venturi panels, drain pans, long defrost heaters.
  - d.) Defrost heaters are shipped straight whenever possible, all heaters are shipped with heater hooks.
  - e.) PSC motors are shipped less their capacitors, unless specifically ordered.
4. Warranty on all parts is 90 days from date of invoice.
5. When ordering replacement parts for a unit, if the exact part number is not available, it is very important that the complete model number, serial number, and voltage be provided. This information will help determine the exact vintage of the unit.

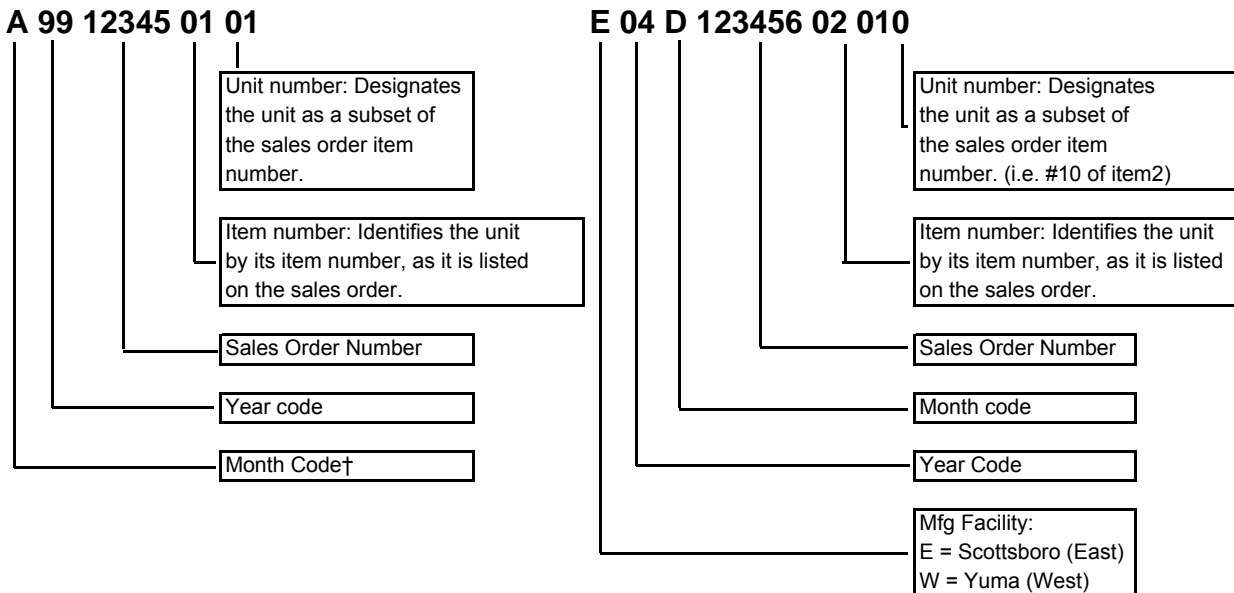
## NOMENCLATURE

The following information can be derived by using the evaporator nomenclature; number of fans, fin spacing . The following example applies to Russell evaporators, with the exception of ASL and SL models which have their defrost designation in the suffix position.



\* If an "X" is in the Vintage position, or at the beginning of the model number, the unit was built with a modification or special component that deviates from the standard description.

## SERIAL NUMBERS



## REPLACEMENT PARTS - LISTING BY PRODUCT MODEL NUMBER

### NEXT-GEN ALL-TEMP - RLA, RLE, RLH, RLG

MODEL NUMBER	DESCRIPTION	PART NUMBER	LIST PRICE
ALL MODELS OR AS SPECIFIED IN DESCRIPTION	DRAIN PAN 1 FAN, AIR DEF	0852833601	\$366
	DRAIN PAN 2 FAN , AIR DEF	0852833701	411
	DRAIN PAN 3 FAN , AIR DEF	0852833801	454
	DRAIN PAN 4 FAN , AIR DEF	0852833901	633
	DRAIN PAN 5 FAN , AIR DEF	0852834001	694
	DRAIN PAN 6 FAN , AIR DEF	0852834101	747
	DRAIN PAN 1 FAN , ELECTRIC DEF	0852833602	366
	DRAIN PAN 2 FAN , ELECTRIC DEF	0852833702	411
	DRAIN PAN 3 FAN , ELECTRIC DEF	0852833802	454
	DRAIN PAN 4 FAN , ELECTRIC DEF	0852833902	633
	DRAIN PAN 5 FAN , ELECTRIC DEF	0852834002	694
	DRAIN PAN 6 FAN , ELECTRIC DEF	0852834102	747
	DRAIN FITTING AL	08248171	N/A
	DRAIN NUT	08321595	N/A
	DRAIN GASKET	08321596	N/A
	DRAIN CONNECTION KIT		59
	VENTURI 1 FAN	08528313	309
	VENTURI 2 FAN	08528314	331
	VENTURI 3 FAN	08528315	346
	VENTURI 4 FAN	08528316	366
	VENTURI 5 FAN	08528317	384
	VENTURI 6 FAN	08528318	400
	ENDCOVER DOOR	08528319	141
	DUAL SPEED / DUAL VOLTAGE MOTOR, EC MOTOR, 50 WATT, 1550 RPM, 115/230V, CCW ROTATION, (Air or Electric Defrost Models)	08216194	723
	DUAL SPEED MOTOR RELAY 120V	08218183	30
	DUAL SPEED MOTOR RELAY 240V	08218377	30
	1 speed MOTOR, ECM, 50 WATT, 1550 RPM, 115V, CCW (Hot Gas Defrost)	08216124	603
	1 speed MOTOR, ECM, 50 WATT, 1550 RPM, 230V/1, CCW (Hot Gas Defrost)	08216125	635
	2 speed MOTOR, ECM, 50 WATT, 1550 RPM, 115V, CCW (Hot Gas Defrost)	08216155	641
	2 speed MOTOR, ECM, 50 WATT, 1550 RPM, 230V/1, CCW (Hot Gas Defrost)	08216156	641
	MOTOR, PSC, 1/20 HP, 1550 RPM, 115V	08216074	270
	MOTOR, PSC, 1/20 HP, 1550 RPM, 230V/1	08216073	308
	MOTOR, PSC, 1/20 HP, 1550 RPM, 460V/1	08216135	401
	MOTOR MOUNT, LEG, TALL (EC MOTORS)	08321627	76
MOTOR MOUNT, LEG, SHORT (PSC MOTORS)	08321628	71	
FAN BLADE, 12" DIAM., 24° PITCH, CW (For use with EC Motors)	08221175	70	
FAN BLADE, 12" DIAM., 24° PITCH, CW (For use with PSC Motors)	08221153	74	
FAN GUARD, PLASTIC, HIGH THROW, BLACK, 12"	08321626	128	
DEFROST TERMINATION / FAN DELAY, SPST, O35/C55	08219328	127	

### NEXT-GEN ALL-TEMP ELECTRIC DEFROST MODELS - RLE

RL6E035, RL6E042, RL6E049, RL4E027, RL4E032, RL4E038	COIL HEATER, 1F, 230V, 375 WATTS	08215200	\$67
	DRAIN PAN HEATER, 1F, 230V, 375 WATTS	08215206	67
	DRAIN PAN HEATER, 1F, 460V, 375 WATTS	08215212	62
RL6E066, RL6E077, RL6E090, RL6E105, RL4E051, RL4E064, RL4E080	COIL HEATER, 2F, 230V, 750 WATTS	08215201	80
	DRAIN PAN HEATER, 2F, 230V, 750 WATTS	08215207	77
	DRAIN PAN HEATER, 2F, 460V, 750 WATTS	08215213	90
RL6E121, RL4E094, RL6E142, RL4E110	COIL HEATER, 3F, 230V, 1100 WATTS	08215202	103
	DRAIN PAN HEATER, 3F, 230V, 1100 WATTS	08215208	107
	DRAIN PAN HEATER, 3F, 460V, 1100 WATTS	08215214	118
RL6E162, RL4E125, RL6E182, RL4E141	COIL HEATER, 4F, 230V 1475 WATTS	08215203	108
	DRAIN PAN HEATER, 4F, 230V, 1475 WATTS	08215209	109
	DRAIN PAN HEATER, 4F, 460V, 1475 WATTS	08215215	151
RL6E200, RL4E155	COIL HEATER, 5F, 230V 1850 WATTS	08215204	119
	DRAIN PAN HEATER, 5F, 230V, 1850 WATTS	08215210	112
	DRAIN PAN HEATER, 5F, 460V, 1850 WATTS	08215216	173
RL6E244, RL4E195, RL6E281, RL4E230	COIL HEATER, 6F, 230V 2225 WATTS	08215205	130
	DRAIN PAN HEATER, 6F, 230V, 2225 WATTS	08215211	121
	DRAIN PAN HEATER, 6F, 460V, 2225 WATTS	08215217	196

Note: The Heater voltage will line up with the voltage code in the model number. Each unit will get 3 heaters (2 on the face of the coil & 1 in the drain pan). 460V units include (2) 230V face heaters wired in series. The drain pan contains a single 460V heater.

## NEXT-GEN ALL-TEMP HOT GAS DEFROST MODELS - RLG, RLH

MODEL NUMBER	DESCRIPTION	PART NUMBER	LIST PRICE
RL6G035, RL6G042, RL6G049, RL4G027, RL4G032, RL4G038, RL6H035, RL6H042, RLH049, RL4H027, RL4H032, RL4H038	DRAIN PAN HEATER, 1F, 115V, 375 WATTS	08530726	\$70
	DRAIN PAN HEATER, 1F, 230V, 375 WATTS	08215206	67
	DRAIN PAN HEATER, 1F, 460V, 375 WATTS	08215212	62
RL6G066, RL6G077, RL6G090, RL6G105, RL4G051, RL4G064, RL4G080, RL6H066, RL6H077, RL6H090, RL6H105, RL4H051, RL4H064, RL4H080	DRAIN PAN HEATER, 2F, 115V, 750 WATTS	08530727	99
	DRAIN PAN HEATER, 2F, 230V, 750 WATTS	08215207	77
	DRAIN PAN HEATER, 2F, 460V, 750 WATTS	08215213	90
RL6G121, RL4G094, RL6G142, RL4G110, RL6H121, RL4H094, RL6H142, RL4H110	DRAIN PAN HEATER, 3F, 115V, 1100 WATTS	08530728	138
	DRAIN PAN HEATER, 3F, 230V, 1100 WATTS	08215208	107
	DRAIN PAN HEATER, 3F, 460V, 1100 WATTS	08215214	118
RL6G162, RL4G125, RL6G182, RL4G141, RL6H162, RL4H125, RL6H182, RL4H141	DRAIN PAN HEATER, 4F, 115V, 1475 WATTS	08530729	159
	DRAIN PAN HEATER, 4F, 230V, 1475 WATTS	08215209	109
	DRAIN PAN HEATER, 4F, 460V, 1475 WATTS	08215215	151
RL6G200, RL4G155, RL6H200, RL4H155	DRAIN PAN HEATER, 5F, 115V, 1850 WATTS	08530730	187
	DRAIN PAN HEATER, 5F, 230V, 1850 WATTS	08215210	112
	DRAIN PAN HEATER, 5F, 460V, 1850 WATTS	08215216	173
RL6G244, RL4G195, RL6G281, RL4G230, RL6H244, RL4H195, RL6H281, RL4H230	DRAIN PAN HEATER, 6F, 115V, 2225 WATTS	08530731	217
	DRAIN PAN HEATER, 6F, 230V, 2225 WATTS	08215211	121
	DRAIN PAN HEATER, 6F, 460V, 2225 WATTS	08215217	196

Note: The Heater voltage will line up with the voltage code in the model number. Each unit will get 3 heaters (2 on the face of the coil & 1 in the drain pan). 460V units include (2) 230V face heaters wired in series. The drain pan contains a single 460V heater.

## ALL-TEMP VINTAGE C - AA, AE

ALL MODELS	DRAIN PAN 1 FAN	08527139	\$365
	DRAIN PAN 2 FAN S.	08527379	\$411
	DRAIN PAN 2 FAN L.	08527140	\$411
	DRAIN PAN 3 FAN	08527141	\$453
	DRAIN PAN 4 FAN	08527142	\$632
	DRAIN PAN 5 FAN	08527143	\$694
	DRAIN PAN 6 FAN	08527144	\$747
	VENTURI 1 FAN	08527369	\$309
	VENTURI 2 FAN S.	08527381	\$331
	VENTURI 2 FAN L.	08527370	\$331
	VENTURI 3 FAN	08527371	\$345
	VENTURI 4 FAN	08527372	\$365
	VENTURI 5 FAN	08527373	\$384
	VENTURI 6 FAN	08527374	\$399
	ENDCOVER DOOR, LONG	08527353	\$140
	ENDCOVER DOOR, SHORT	08527354	\$140
	MOTOR MOUNT, LEG, TALL	08527378	\$45
	MOTOR MOUNT, LEG, SHORT	08527375	\$70
	DRAIN FITTING AL	08248171	N/A
	DRAIN NUT	08321595	N/A
	DRAIN GASKET	08321596	N/A
	Drain connection Kit price		\$58
	FAN BLADE, 12" DIAM., 24° PITCH, CW (For use with EC Motors)	107943000	\$74
	FAN GUARD, PLASTIC, HIGH THROW, BLACK, 12"	205925001	\$128
	1 speed MOTOR, ECM, 50 WATT, 1550 RPM, 115 V, CCW	08216124	\$602
	1 speed MOTOR, ECM, 50 WATT, 1550 RPM, 230 V, CCW	08216125	\$634
	2 speed MOTOR, ECM, 50 WATT, 1550 RPM, 115 V, CCW	08216155	\$723
	2 speed MOTOR, ECM, 50 WATT, 1550 RPM, 230 V, CCW	08216156	\$723
	Defrost Termination / Fan Delay ,SPST,O35/C55	08219328	\$127

**ALL-TEMP<sup>2</sup>B - MODELS AA-B, AE-B, AG-B, AH-B (BUILT AFTER OCTOBER 1,1991 )**

MODEL NUMBER	DESCRIPTION	PART NUMBER	LIST PRICE
ALL "AE" MODELS	DEFROST CONTROL, DEFROST TERMINATION, (TIMER RESET) 2 WIRE	103079010	\$127
ALL "AE" MODELS	DEFROST CONTROL, FAN DELAY, 2 WIRE	103079009	127
1 - 6 FAN AE MODELS	HEATER SAFETY SWITCH, 2 WIRE	103079003	116
AE14-37B, AE16-36B,	DEFROST HEATER, CORE, 500 WATTS, 26-1/4" LENGTH, 208-230/460 V.	206240006	357
AE16-41B, AE16-46B	DEFROST HEATER, DRAIN PAN, 500 WATTS, 21" LENGTH, 208-230/460 V.	200172042	275
AE24-72B, AE24-85B,	DEFROST HEATER, CORE, 1000 WATTS, 44-1/4" LENGTH, 208-230/460 V.	206240008	306
AE26-92B	DEFROST HEATER, DRAIN PAN, 1000 WATTS, 39" LENGTH, 208-230/460 V.	200172044	285
AE26-60B, AE26-75B	DEFROST HEATER, CORE, 800 WATTS, 40-1/4" LENGTH, 208-230/460 V.	206240007	285
	DEFROST HEATER, DRAIN PAN, 800 WATTS, 35" LENGTH, 208-230/460 V.	200172043	275
AE34-105B, AE36-120B,	DEFROST HEATER, CORE, 1500 WATTS, 62-1/4" LENGTH, 208-230/460 V.	206240009	356
AE36-140B	DEFROST HEATER, DRAIN PAN, 1500 WATTS, 57" LENGTH, 208-230/460 V.	200172045	338
AE44-140B, AE46-164B,	DEFROST HEATER, CORE, 2000 WATTS, 80-1/4" LENGTH, 208-230/460 V.	206240010	453
AE46-185B	DEFROST HEATER, DRAIN PAN, 2000 WATTS, 75" LENGTH, 208-230/460 V.	200172046	431
AE54-180B, AE56-210B	DEFROST HEATER, CORE, 2500 WATTS, 97-3/4" LENGTH, 208-230/460 V.	206240011	526
	DEFROST HEATER, DRAIN PAN, 2500 WATTS, 93" LENGTH, 208-230/460 V.	200172047	486
AE64-215B, AE66-245B,	DEFROST HEATER, CORE, 3000 WATTS, 115-3/4" LENGTH, 208-230/460 V.	206240012	557
AE66-280B	DEFROST HEATER, DRAIN PAN, 3000 WATTS, 111" LENGTH, 208-230/460 V.	200172048	545
1 FAN AA, & AE MODELS	DRAIN PAN, 27" LENGTH	20927501	366
AA28-76B, -97B, -122B,	DRAIN PAN, 41" LENGTH	20927502	411
AA26-70B, -87B, AE26-60B, 26-75B			
AA28-106B, -134B, AA26-115B	DRAIN PAN, 45" LENGTH	20927503	411
AE26-92B, AE24-72B, -85B			
3 FAN AA & AE MODELS	DRAIN PAN, 63" LENGTH	20927601	454
4 FAN AA & AE MODELS*	DRAIN PAN, 81" LENGTH	20927602	633
5 FAN AA & AE MODELS*	DRAIN PAN, 99" LENGTH	20927701	693
6 FAN AA & AE MODELS*	DRAIN PAN, 117" LENGTH	20927702	747
ALL-TEMP <sup>2</sup> B MODELS (SP & PSC)	FAN BLADE, 12" DIAM., 24° PITCH, CW (For use with Shaded Pole & PSC motors)	107943000	74
1 - 3 FAN AE MODELS	FAN GUARD, PLASTIC, LOW THROW - NO LONGER AVAILABLE	NLA	—
ALL MODELS (OPTIONAL)	FAN GUARD, PLASTIC, HIGH THROW, BLACK, 12"	205925001	128
ALL MODELS (OPTIONAL)	FAN GUARD, WIRE, EPOXY COATED, BLUE, 12"	NLA	—
ALL MODELS	FAN GUARD, PLASTIC, BLACK, 12"	119647000	92
ALL MODELS	FAN GUARD, WIRE, EPOXY COATED, BLACK, 12"	201006011	92
ALL-TEMP MODELS (SP & PSC)	MOTOR MOUNT (For use with Shaded Pole & PSC motors)	21062000	127
	MOTOR, SHADED POLE, 1/20 HP, 1550 RPM, 115 V.	102540003	197
ALL-TEMP <sup>2</sup> B MODELS	MOTOR, SHADED POLE, 1/20 HP, 1550 RPM, 208-230 V.	102540004	197
	MOTOR, SHADED POLE, 1/20 HP, 1550 RPM, 460 V.	102540005	292
	MOTOR, PSC, 1/20 HP, 1550 RPM, 115 V., (3 MFD CAPACITOR NOT INCLUDED)	108178001	270
ALL-TEMP <sup>2</sup> B MODELS	MOTOR, PSC, 1/20 HP, 1550 RPM, 230 V., (2 MFD CAPACITOR NOT INCLUDED)	108178002	308
	CAPACITOR, 3 MFD, FOR 1/20 115 V. PSC MOTOR	202163010	42
	CAPACITOR, 2 MFD, FOR 1/20 230 V. PSC MOTOR	202163009	47
<b>ALL-TEMP<sup>2</sup>B MODELS (EC Motor)</b>	<b>FAN BLADE, 12" DIAM., 24° PITCH, CW (For use with EC Motors)</b>	<b>08221175</b>	<b>70</b>
<b>ALL-TEMP<sup>2</sup>B MODELS (EC Motor)</b>	<b>MOTOR MOUNT LEG (For use with EC Motors) (3 required for complete mount)</b>	<b>08522938</b>	<b>40</b>
<b>EC MOTORS FOR</b>	<b>MOTOR, ECM, 50 WATT, 1550 RPM, 115 V, CCW</b>	<b>08216124</b>	<b>603</b>
<b>ALL-TEMP<sup>2</sup>B MODELS</b>	<b>MOTOR, ECM, 50 WATT, 1550 RPM, 230 V, CCW</b>	<b>08216125</b>	<b>635</b>
<b>ECM RETRO-FIT KIT FOR</b>	<b>115 V MOTOR, KIT INCLUDES MOTOR, HARDWARE, MOUNT, &amp; BLADE</b>	<b>08523048</b>	<b>851</b>
<b>ALL-TEMP<sup>2</sup>B MODELS</b>	<b>230 V MOTOR, KIT INCLUDES MOTOR, HARDWARE, MOUNT, &amp; BLADE</b>	<b>08523049</b>	<b>906</b>

\* ALL 4 - 6 FAN MODEL DRAIN PANS MUST VIA COMMON CARRIER ONLY, NO UPS.

NLA - NO LONGER AVAILABLE

**SURVEILLANT DEMAND DEFROST CONTROLLER REPLACEMENT PARTS**

Demand Defrost Control Parts	Surveillant Evaporator Control	08219537	\$2,437
	Electronic Expansion Valve - less cable	08219539	472
	EEV power cable for AA/AE evaporator	08219516	241
	EEV Power Cable for CTA/CTE evaporators	08219517	239
	Return Air Temperature Sensor for AA/AE	08219522	139
	Return Air Temperature Sensor for CTA/CTE	08219523	139
	Air sensor mounting wire	08219978	10
	Coil Temperature sensor for AA/AE	08219524	139
	Coil Temperature sensor for CTA/CTE	08219525	139
	Coil Temperature sensor for CTA/CTE (AUX)	08219526	139
	Suction Temperature sensor for AA/AE	08219520	139
	Suction Temperature sensor for CTA/CTE	08219521	139
	Transducer only - No cable	08219981	371
	Transducer Cable for AA/AE evaporators	08219518	194
	Transducer Cable for CTA/CTE	08219519	194
	Strain relief wire	08219528	4
	Smartgate Router	08219541	2,890

**ALL-TEMP<sup>2</sup>B - MODELS AA-B, AE-B, AG-B, AH-B (BUILT AFTER APRIL, 2004 )**  
**HINGED END PANEL UNITS (REPLACEMENT HOUSING)**

MODEL NUMBER	DESCRIPTION	PART NUMBER	LIST PRICE
1 FAN AA, & AE MODELS	VENTURI, 20" LENGTH	08519104	\$309
AA28-76B, -97B, -122B, AA26-70B, -87B, AE26-60B, AE26-75B	VENTURI, 34" LENGTH	08519241	331
AA28-106B, -134B, AA26-115B AE26-92B, AE24-85B	VENTURI, 38" LENGTH	08519242	331
3 FAN AA & AE MODELS	VENTURI, 56" LENGTH	08519243	346
4 FAN AA & AE MODELS	VENTURI, 74" LENGTH	08519244	366
5 FAN AA & AE MODELS	VENTURI, 92" LENGTH	08519245	384
6 FAN AA & AE MODELS	VENTURI, 110" LENGTH	08519246	400
SHORT (ELECTRICAL END)	HINGED END PANEL	08518612	141
LONG (HEADER END)	HINGED END PANEL	08518613	141

**FOLLOWING HOT GAS DRAIN PANS ARE FOR UNITS PRODUCED AFTER AUGUST 3, 1992 .**  
**FOR EARLIER VINTAGE USE THE ABOVE LISTED AA/AE DRAIN PANS.**

MODEL NUMBER	DESCRIPTION	PART NUMBER	LIST PRICE
1 FAN AG, & AH MODELS	DRAIN PAN, 27" LENGTH - AFTER 8/3/92, ELSE USE EQUIV. AA/AE DRAIN PAN	20935800	\$366
AG26-60B, AH26-60B, AG26-75B, AH26-75B	DRAIN PAN, 41" LENGTH - AFTER 8/3/92, ELSE USE EQUIV. AA/AE DRAIN PAN	20935900	411
AG26-92B, AH26-92B	DRAIN PAN, 45" LENGTH - AFTER 8/3/92, ELSE USE EQUIV. AA/AE DRAIN PAN	20936000	411
3 FAN AG, & AH MODELS	DRAIN PAN, 63" LENGTH - AFTER 8/3/92, ELSE USE EQUIV. AA/AE DRAIN PAN	20936100	454
4 FAN AG, & AH MODELS*	DRAIN PAN, 81" LENGTH - AFTER 8/3/92, ELSE USE EQUIV. AA/AE DRAIN PAN	20936200	633
5 FAN AG, & AH MODELS*	DRAIN PAN, 99" LENGTH - AFTER 8/3/92, ELSE USE EQUIV. AA/AE DRAIN PAN	20936300	693
6 FAN AG, & AH MODELS*	DRAIN PAN, 117" LENGTH - AFTER 8/3/92, ELSE USE EQUIV. AA/AE DRAIN PAN	20936400	747

\* ALL 4 - 6 FAN MODEL DRAIN PANS SHIP VIA COMMON CARRIER ONLY, NO UPS.

**ALL-TEMP<sup>2</sup> - MODELS AA, AE, AG, AH (BUILT BEFORE OCTOBER 1,1991 )**

1 - 3 FAN AE MODELS	DEFROST CONTROL, NON-ADJUSTABLE, 3 WIRE	103079005	\$127
4 - 6 FAN AE MODELS	DEFROST CONTROL, ADJUSTABLE, RANCO F-25	204464037	338
1 - 6 FAN AE MODELS	HEATER SAFETY SWITCH, 2 WIRE	103079003	116
AE16-36	DEFROST HEATER, CORE, 1000 WATTS, 26" LENGTH, 208-230 V.	NLA	—
AE16-36	DEFROST HEATER, CORE, 1000 WATTS, 26" LENGTH, 460 V.	NLA	—
AE16-46, AE16-41, AE14-37	DEFROST HEATER, CORE, 500 WATTS, 26-1/4" LENGTH, 208-230/460 V.	206240006	357
	DEFROST HEATER, DRAIN PAN, 500 WATTS, 21" LENGTH, 208-230/460 V.	200172042	275
AE26-60	DEFROST HEATER, CORE, 2000 WATTS, 40-1/4" LENGTH, 208-230/460 V.	NLA	—
	DEFROST HEATER, DRAIN PAN, 800 WATTS, 35" LENGTH, 208-230/460 V.	200172043	275
AE26-75	DEFROST HEATER, CORE, 800 WATTS, 40-1/4" LENGTH, 208-230/460 V.	206240007	285
	DEFROST HEATER, DRAIN PAN, 800 WATTS, 35" LENGTH, 208-230/460 V.	200172043	275
AE26-92,AE24-85, AE24-72	DEFROST HEATER, CORE, 1000 WATTS, 44-1/4" LENGTH, 208-230/460 V.	206240008	306
	DEFROST HEATER, DRAIN PAN , 1000 WATTS, 39" LENGTH, 208-230/460 V.	200172044	285
AE36-140,AE36-120, AE34-105	DEFROST HEATER, CORE, 1500 WATTS, 62-1/4" LENGTH, 208-230/460 V.	206240009	356
	DEFROST HEATER, DRAIN PAN, 1500 WATTS, 57" LENGTH, 208-230/460 V.	200172045	338
AE46-164, AE46-185, AE44-140	DEFROST HEATER, CORE, 2000 WATTS, 80-1/4" LENGTH, 208-230/460 V.	206240010	453
	DEFROST HEATER, DRAIN PAN, 2000 WATTS, 75" LENGTH, 208-230/460 V.	200172046	431
AE56-210, AE54-180	DEFROST HEATER, CORE, 2500 WATTS, 97-3/4" LENGTH, 208-230/460 V.	206240011	526
	DEFROST HEATER, DRAIN PAN, 2500 WATTS, 93" LENGTH, 208-230/460 V.	200172047	486
AE66-280, AE66-245, AE64-215	DEFROST HEATER, CORE, 3000 WATTS, 115-3/4" LENGTH, 208-230/460 V.	206240012	557
	DEFROST HEATER, DRAIN PAN, 3000 WATTS, 111" LENGTH, 208-230/460 V.	200172048	545
ALL ALL-TEMP2 MODELS	FAN BLADE, 12" DIAM., 24° PITCH, CW	107943000	74
1 - 3 FAN AE MODELS	FAN GUARD, PLASTIC, LOW THROW - NO LONGER AVAILABLE, SUBSTITUTE WIRE, EPOXY COATED, 12" FAN GUARD	201006011	92
4 - 6 FAN AE MODELS	FAN GUARD, PLASTIC, HIGH THROW, BLACK, 12"	205925001	128
ALL MODELS	FAN GUARD, WIRE, EPOXY COATED, 12"	NLA	—
ALL MODELS	MOTOR MOUNT	21062000	127
ALL MODELS (OPTIONAL)	MOTOR, PSC, 1/20 HP, 1550 RPM, 115 V., (3 MFD CAPACITOR NOT INCLUDED)	108178001	270
	MOTOR, PSC, 1/20 HP, 1550 RPM, 230 V., (2 MFD CAPACITOR NOT INCLUDED)	108178002	308
	CAPACITOR, 3 MFD, FOR 1/20 115 V. PSC MOTOR	202163010	42
	CAPACITOR, 2 MFD, FOR 1/20 230 V. PSC MOTOR	202163009	47
ALL MODELS	MOTOR, SHADED POLE, 1/20 HP, 1550 RPM, 115 V.	102540003	197
	MOTOR, SHADED POLE, 1/20 HP, 1550 RPM, 208-230 V.	102540004	197
	MOTOR, SHADED POLE, 1/20 HP, 1550 RPM, 460 V.	102540005	292

\* ALL 4 - 6 FAN MODEL DRAIN PANS MUST VIA COMMON CARRIER ONLY, NO UPS.

NLA - NO LONGER AVAILABLE

† NOT STOCKED - MANUFACTURED PART.

**ALL-TEMP - MODELS AL** (BUILT BEFORE JUNE 1990)

MODEL NUMBER	DESCRIPTION	PART NUMBER	LIST PRICE
AL14-34, AL15-41, AL16-46	DEFROST HEATERS, CORE, 780 WATTS, 20" LENGTH, 208-230 V. (2 REQ'D)	200172021	\$215
	DRAIN PAN (13-1/4" width)	NLA	—
AL24-40, AL25-50, AL26-46	DEFROST HEATER, CORE, 1550 WATTS, 38" LENGTH, 208-230 V.	200172024	285
	DEFROST HEATER, CORE, 1550 WATTS, 38" LENGTH, 460 V.	NLA	—
	DRAIN PAN (13-1/4" width)	NLA	—
AL24-53, AL24-68, AL25-64 AL25-82, AL26-72, AL26-56, AL26-92, XAL28-104E	DEFROST HEATERS, CORE, 1550 WATTS, 38" LENGTH, 208-230 V. (2 REQ'D)	200172024	285
	DEFROST HEATERS, CORE, 1550 WATTS, 38" LENGTH, 460 V. (2 REQ'D)	NLA	—
	DRAIN PAN (13-1/4" width)	NLA	—
AL34-80, AL34-102, AL34-111 AL35-96, AL35-123, AL36-110, AL36-139	DEFROST HEATERS, CORE, 2200 WATTS, 56" LENGTH, 208-230 V. (2 REQ'D)	200172027	338
	DEFROST HEATERS, CORE, 2200 WATTS, 56" LENGTH, 460 V. (2 REQ'D)	NLA	—
	DRAIN PAN (13-1/4" width)	NLA	—
AL44-136, AL45-164, AL46-185	DEFROST HEATERS, CORE, 1220 WATTS, 30" LENGTH, 208-230 V. (2 REQ'D)	200172023	318
	DEFROST HEATERS, CORE, 1760 WATTS, 42" LENGTH, 208-230 V. (2 REQ'D)	200172025	589
	DEFROST HEATERS, CORE, 1220 WATTS, 30" LENGTH, 460 V. (2 REQ'D)	NLA	—
	DEFROST HEATERS, CORE, 1760 WATTS, 42" LENGTH, 460 V. (2 REQ'D)	NLA	—
	DRAIN PAN* (13-1/4" width)	NLA	—
AL54-170, AL55-205, AL56-230	DEFROST HEATERS, CORE, 1760 WATTS, 42" LENGTH, 208-230 V. (2 REQ'D)	200172025	589
	DEFROST HEATERS, CORE, 1970 WATTS, 48" LENGTH, 208-230 V. (2 REQ'D)	200172026	306
	DEFROST HEATERS, CORE, 1760 WATTS, 42" LENGTH, 460 V. (2 REQ'D)	NLA	—
	DEFROST HEATERS, CORE, 1970 WATTS, 48" LENGTH, 460 V. (2 REQ'D)	NLA	—
	DRAIN PAN* (13-1/4" width)	NLA	—
AL64-204, AL65-246, AL66-276	DEFROST HEATERS, CORE, 1970 WATTS, 48" LENGTH, 208-230 V. (2 REQ'D)	200172026	306
	DEFROST HEATERS, CORE, 2480 WATTS, 60" LENGTH, 208-230 V. (2 REQ'D)	200172028	338
	DEFROST HEATERS, CORE, 1970 WATTS, 48" LENGTH, 460 V. (2 REQ'D)	NLA	—
	DEFROST HEATERS, CORE, 2480 WATTS, 60" LENGTH, 460 V. (2 REQ'D)	200172018	493
	DRAIN PAN* (13-1/4" width)	NLA	—
ALL MODELS	DEFROST CONTROL, NON-ADJUSTABLE, 3 WIRE	103079002	127
ALL MODELS	FAN BLADE, 10" DIAM., 31° PITCH, CW, HUBLESS	204395017	44
ALL MODELS	FAN GUARD, PLASTIC, HI-THROW 10" ROUND	NLA	—
ALL MODELS	FAN GUARD, WIRE, EPOXY COATED, BLACK, 10"	08397002	92
ALL MODELS	FAN GUARD, WIRE, EPOXY COATED, WHITE, 10"	08397053	92
ALL MODELS	MOTOR MOUNT	10243000	92
ALL MODELS	MOTOR, SHADED POLE, 16 WATT, 1550 RPM, 115 V. CCW	103104007	181
	MOTOR, SHADED POLE, 16 WATT, 1550 RPM, 230 V. CCW	103104008	181

\* ALL 4 - 6 FAN MODEL DRAIN PANS SHIP VIA COMMON CARRIER ONLY, NO UPS.

NLA - NO LONGER AVAILABLE

**ALL-TEMP - MODELS AL-B** (BUILT AFTER JUNE 1990)

MODEL NUMBER	DESCRIPTION	PART NUMBER	LIST PRICE
AL14-34B, AL15-41B, AL16-46B	DEFROST HEATER, CORE, 500 WATTS, 24" LENGTH, 208-230/460 V.	206240006	\$357
	DEFROST HEATERS, DRAIN PAN, 500 WATTS, 20" LENGTH, 208-230/460 V.	200172042	275
	DRAIN PAN (9-1/4" WIDTH)	NLA	—
AL24-40B, AL24-53B, AL25-50B, AL25-64B, AL26-56B, AL26-72B	DEFROST HEATER, CORE, 2000 WATTS, 43" LENGTH, 208-230 V.	NLA	—
	DEFROST HEATER, CORE, 2000 WATTS, 43" LENGTH, 460 V.	NLA	—
	DRAIN PAN (9-1/4" WIDTH)	NLA	—
AL24-68B, AL25-82B, AL26-92B	DEFROST HEATER, CORE, 1000 WATTS, 44-1/4" LENGTH, 208-230/460 V.	206240008	306
	DEFROST HEATERS, DRAIN PAN, 1000 WATTS, 38" LENGTH, 208-230/460 V.	200172044	285
	DRAIN PAN (9-1/4" WIDTH)	NLA	—
AL34-80B, AL34-102B, AL34-111B, AL35-96B, AL35-123B, AL36-110B, AL36-139B	DEFROST HEATER, CORE, 1500 WATTS, 62" LENGTH, 208-230/460 V.	206240009	356
	DEFROST HEATERS, DRAIN PAN, 1500 WATTS, 56" LENGTH, 208-230/460 V.	200172045	338
	DRAIN PAN (9-1/4" WIDTH)	NLA	—
AL44-136B, AL45-164B, AL46-185B	DEFROST HEATER, CORE, 2000 WATTS, 80-1/4" LENGTH, 208-230/460 V.	206240010	453
	DEFROST HEATERS, DRAIN PAN, 2000 WATTS, 74" LENGTH, 208-230/460 V.	200172046	431
	DRAIN PAN* (9-1/4" WIDTH)	NLA	—
AL54-170B, AL55-205B, AL56-230B	DEFROST HEATER, CORE, 2500 WATTS, 96" LENGTH, 208-230/460 V.	206240011	526
	DEFROST HEATERS, DRAIN PAN, 2500 WATTS, 92" LENGTH, 208-230/460 V.	200172047	486
	DRAIN PAN* (9-1/4" WIDTH)	NLA	—
AL64-204B, AL65-246B, AL66-276B	DEFROST HEATER, CORE, 3000 WATTS, 115-3/4" LENGTH, 208-230/460 V.	206240012	557
	DEFROST HEATERS, DRAIN PAN, 3000 WATTS, 100" LENGTH, 208-230/460 V.	200172048	545
	DRAIN PAN* (9-1/4" WIDTH)	NLA	—
ALL MODELS	DEFROST CONTROL, NON-ADJUSTABLE, 3 WIRE	103079002	127
ALL MODELS	FAN BLADE, 10" DIAM., 31° PITCH, CW, HUBLESS	NLA	—
ALL MODELS	FAN GUARD, WIRE, EPOXY COATED, BLACK, 10"	08397002	92
ALL MODELS	FAN GUARD, WIRE, EPOXY COATED, WHITE, 10"	08397053	92
ALL MODELS	FAN GUARD, PLASTIC, HI-THROW 10" ROUND	NLA	—
ALL MODELS	MOTOR MOUNT	10243000	92
ALL MODELS	MOTOR, SHADED POLE, 16 WATT, 1550 RPM, 115 V. CCW	103104007	181
	MOTOR, SHADED POLE, 16 WATT, 1550 RPM, 230 V. CCW	103104008	181

\* ALL 4 - 6 FAN MODEL DRAIN PANS SHIP VIA COMMON CARRIER ONLY, NO UPS.

NLA - NO LONGER AVAILABLE

## CEILING TEMP - MODELS CTA, CTE

MODEL NUMBER	DESCRIPTION	PART NUMBER	LIST PRICE
ALL MODELS	DEFROST CONTROL, DEFROST TERMINATION, (TIMER RESET) 2 WIRE	103079010	\$127
ALL MODELS	DEFROST CONTROL, FAN DELAY, 2 WIRE	103079009	127
CTE34-48, CTE34-58, CTE34-65, CTE36-53, CTE36-62, CTE36-69	DEFROST HEATERS, CORE, 1037 WATTS, 55" LENGTH, 208-230/460 V. (2 REQ'D)	208579001	354
CTE44-72, CTE44-84, CTE44-95, CTE46-77, CTE46-90, CTE46-100	DEFROST HEATERS, 1490 WATTS, 79" LENGTH, 208-230/460 V. (2 REQ'D)	208579002	482
CTE54-115, CTE44-128, CTE44-152 CTE54-145, CTE64-173, CTE56-125, CTE46-140, CTE56-160, CTE66-218	DEFROST HEATERS, 1943 WATTS, 103 LENGTH, 208-230/460 V. (2 REQ'D)	208579003	531

### SPECIFY DRAIN CONNECTION LOCATION WHEN ORDERING CTA/CTE DRAIN PANS, BOTTOM OR SIDE.\*

ALL 3 FAN CTA/CTE MODELS	DRAIN PAN, 58-1/2 LENGTH, SPECIFY DRAIN CONNECTION LOCATION	20860901	\$507
ALL 4 FAN CTA/CTE MODELS EXCEPT AS FOLLOWS	DRAIN PAN, 82-1/2 LENGTH, SPECIFY DRAIN CONNECTION LOCATION	20861001	644
CTA46-190, CTA48-210, CTE44-128, CTE46-140	DRAIN PAN, 106-1/2 LENGTH, SPECIFY DRAIN CONNECTION LOCATION	20861101	741
ALL 5 FAN CTA/CTE MODELS	DRAIN PAN, 106-1/2 LENGTH, SPECIFY DRAIN CONNECTION LOCATION	20861201	741
ALL 6 FAN CTA/CTE MODELS	DRAIN PAN, 106-1/2 LENGTH, SPECIFY DRAIN CONNECTION LOCATION	20861301	770
ALL MODELS	FAN BLADE, 10" DIAM., 31° PITCH, CCW, HUBLESS	204395018	49
ALL MODELS	FAN GUARD, PLASTIC, 12" (BLACK)	119647000	92
ALL MODELS (OPTIONAL)	FAN GUARD, WIRE, EPOXY COATED, 12", (BLACK) [OPTIONAL]	201006011	92
ALL MODELS	HEATER SAFETY SWITCH, 2 WIRE	103079003	116
ALL MODELS (OPTIONAL)	MOTOR, <b>SHADED POLE</b> , 16 WATT, 1550 RPM, 115 V.	103104007	181
Shaded Pole Motors	MOTOR, <b>SHADED POLE</b> , 16 WATT, 1550 RPM, 230 V.	103104008	181
ALL MODELS (OPTIONAL)	MOTOR, <b>PSC</b> , 16 WATT, 1550 RPM, 115 V.	107933001	369
Permanent Split Capacitor Motors	CAPACITOR, 5 MFD, FOR 16 WATT 115 V. PSC MOTOR	202163004	44
	MOTOR, <b>PSC</b> , 16 WATT, 1550 RPM, 230 V. <b>(No longer available. Use 107933003)</b>	107933002	NLA
	CAPACITOR, 1.2 MFD, FOR 16 WATT 230 V. PSC MOTOR <b>(Not required for 107933003)</b>	202163015	47
<b>ALL MODELS</b>	<b>MOTOR, ECM, 16 WATT, 1550 RPM, 115V</b>	<b>107933006</b>	<b>641</b>
<b>EC MOTORS</b>	<b>MOTOR, ECM, 16 WATT, 1550 RPM, 230V</b>	<b>107933003</b>	<b>665</b>
ALL MODELS	MOTOR, MOUNT	10243000	92

\* ALL CEILING-TEMP DRAIN PANS SHIP VIA COMMON CARRIER ONLY, NO UPS.

## FLOW TEMP — MODELS RWF

RWF050, 100, 130, 160, 190, 220, 270, 340	115/230 VOLT - FAN BLADE, 10 IN. DIA., 31° PITCH, CCW, HUBLESS	204395018	\$49
RWF - 075	115/230 VOLT - FAN BLADE, 10 IN. DIA., 20° PITCH, CCW, HUBLESS	204395016	49
RWF-050, 100, 130, 160, 190, 220, 270, 340	460V - FAN BLADE, 10 IN. DIA., 28° PITCH, CCW	08221007	49
RWF - 075	460V - FAN BLADE, 10 IN. DIA., 13° PITCH, CCW	08221005	49
All Models	FAN GUARD, 12 IN. BLACK PLASTIC	119647000	92
	MOTOR MOUNT (Except for 460V PSC motor, See Below)	10243000	92
All Models - EC MOTORS	MOTOR, EC, 16W, 1550 RPM, 115V	107933006	641
	MOTOR, EC, 16W, 1550 RPM, 230V	107933003	665
	MOTOR MOUNT	10243000	92
All Models - PSC MOTORS (Optional)	MOTOR, PSC, 16 WATT, 1550 RPM, 115 V.	107933001	369
	CAPACITOR, 5 MFD, FOR 16 WATT 115 V. PSC MOTOR	202163004	44
	MOTOR, PSC, 16W, 1550 RPM, 460V	08216135	480
	MOTOR MOUNT, 460V PSC	0825489400	92
All Models - SHADED POLE MOTORS (Optional)	MOTOR, SHADED POLE, 16 WATT, 1550 RPM, 115 V.	103104007	181
	MOTOR, SHADED POLE, 16 WATT, 1550 RPM, 230 V.	103104008	181
RWF - 050	DRAIN PAN/VENTURI PANEL	0852507601	426
RWF - 075, 100	DRAIN PAN/VENTURI PANEL, 2 FAN	0852507701	584
RWF - 130, 160	DRAIN PAN/VENTURI PANEL, 3 FAN	0852507801	646
RWF - 190, 220	DRAIN PAN/VENTURI PANEL, 4 FAN	0852507901	741
RWF - 270	DRAIN PAN/VENTURI PANEL, 5 FAN	0852508001	842
RWF - 340	DRAIN PAN/VENTURI PANEL, 6 FAN	0852508101	917
RWF - 050 (Optional)	DRAIN PAN/VENTURI PANEL, 1 FAN, WHITE PAINTED	0852507607	637
RWF - 075, 100 (Optional)	DRAIN PAN/VENTURI PANEL, 2 FAN, WHITE PAINTED	0852507707	803
RWF - 130, 160 (Optional)	DRAIN PAN/VENTURI PANEL, 3 FAN, WHITE PAINTED	0852507807	977
RWF - 190, 220 (Optional)	DRAIN PAN/VENTURI PANEL, 4 FAN, WHITE PAINTED	0852507907	985
RWF - 270 (Optional)	DRAIN PAN/VENTURI PANEL, 5 FAN, WHITE PAINTED	0852508000	1,095
RWF - 340 (Optional)	DRAIN PAN/VENTURI PANEL, 6 FAN, WHITE PAINTED	0852508107	1,170
RWF - 050	DEFROST HEATER 545W, 42 IN. LONG (2 PER UNIT)	0821500901	328
RWF - 075, 100	DEFROST HEATER 545W, 61 IN. LONG (2 PER UNIT)	0821500902	350
RWF - 130, 160, 190, 220	DEFROST HEATER 1305W, 79 IN. LONG (2 PER UNIT)	0821500903	404
RWF - 270	DEFROST HEATER 2180W, 90 IN. LONG (2 PER UNIT)	0821500904	457
RWF - 340	DEFROST HEATER 2725W, 114 IN. LONG (2 PER UNIT)	0821500905	517
All Electric and Hot Gas Defrost Models	DEFROST CONTROL, TERMINATION (STANDARD)	103079010	127
	DEFROST CONTROL, ADJUSTABLE (OPTIONAL)	204464037	338
	DEFROST CONTROL, HEATER SAFETY (STANDARD)	103079003	116



## FLOW TEMP - MODELS FL, FL-E, FL-G, FL-H

MODEL NUMBER	DESCRIPTION	PART NUMBER	LIST PRICE
ALL MODELS	DEFROST CONTROL, DEFROST TERMINATION, (TIMER RESET) 2 WIRE	103079010	\$127
ALL MODELS	DEFROST CONTROL, FAN DELAY, 2 WIRE	103079009	127
ALL 2 FAN MODELS, FL36-100, FL36-135, FL46-180 MODELS	FAN BLADES, 10" DIAM., 20° PITCH, CCW, HUBLESS	204395016	49
ALL FL36-160, FL46-220, FL46-265 AND FL56-370	FAN BLADES, 10" DIAM., 31° PITCH, CCW, HUBLESS	204395018	49
ALL FL MODELS	FAN GUARD, PLASTIC, 12" (BLACK)	119647000	92
ALL FL MODELS	FAN GUARD, WIRE, EPOXY COATED, 12" (BLACK)	201006011	92
ALL FL MODELS	HEATER SAFETY SWITCH, 2 WIRE	103079003	116
ALL FL MODELS	MOTOR MOUNT	10243000	92
ALL 2 FAN MODELS AND ALL FL36-100 MODELS	MOTOR, <b>SHADED POLE</b> , 9 WATT, 1550 RPM, 115 V.	103104004	152
	MOTOR, <b>SHADED POLE</b> , 9 WATT, 1550 RPM, 230 V.	20192600	152
FL36-135, FL36-160 MODELS	MOTOR, <b>SHADED POLE</b> , 16 WATT, 1550 RPM, 115 V.	103104007	181
ALL 4 AND 5 FAN MODELS	MOTOR, <b>SHADED POLE</b> , 16 WATT, 1550 RPM, 230 V.	103104008	181
ALL FL MODELS (OPTIONAL)	MOTOR, <b>PSC</b> , 16 WATT, 1550 RPM, 115 V.	107933001	369
Permanent Split Capacitor Motors	CAPACITOR, 5 MFD, FOR 16 WATT 115 V. PSC MOTOR	202163004	44
	MOTOR, <b>PSC</b> , 16 WATT, 1550 RPM, 230 V., (No Longer Available. use 107933003)	107933002	NLA
	CAPACITOR, 1.2 MFD, FOR 16 WATT 230 V. PSC MOTOR (Not required for 107933003)	202163015	47
ALL MODELS	MOTOR, <b>ECM</b> , 16 WATT, 1550 RPM, 115V	107933006	641
EC MOTOR	MOTOR, <b>ECM</b> , 16 WATT, 1550 RPM, 230V	107933003	665

### FOLLOWING HEATERS ARE FOR UNITS PRODUCED BEFORE APRIL 1, 1988.

FL26-67E	DEFROST HEATERS, CORE, 1970 WATTS, 48" LENGTH, 208-230 V. (2 REQ'D)	200172026	\$306
	DEFROST HEATERS, CORE, 1970 WATTS, 48" LENGTH, 460 V. (2 REQ'D)	200172016	NLA
FL36-100E, FL36-135E, FL36-160E	DEFROST HEATERS, CORE, 1220 WATTS, 30" LENGTH, 208-230 V (2 REQ'D)	200172023	318
	DEFROST HEATERS, CORE, 1760 WATTS, 42" LENGTH, 208-230 V. (2 REQ'D)	200172025	589
	DEFROST HEATERS, CORE, 1220 WATTS, 30" LENGTH, 460 V. (2 REQ'D)	200172013	NLA
	DEFROST HEATERS, CORE, 1760 WATTS, 42" LENGTH, 460 V. (2 REQ'D)	200172015	NLA
FL46-180E, FL46-220E, FL46-265E	DEFROST HEATERS, CORE, 1550 WATTS, 38" LENGTH, 208-230 V (2 REQ'D)	200172024	285
	DEFROST HEATERS, CORE, 2480 WATTS, 60" LENGTH, 208-230 V. (2 REQ'D)	200172028	338
	DEFROST HEATERS, CORE, 1760 WATTS, 42" LENGTH, 460 V. (2 REQ'D)	200172015	NLA
	DEFROST HEATERS, CORE, 2200 WATTS, 56" LENGTH, 460 V. (2 REQ'D)	200172017	493

### FOLLOWING HEATERS ARE FOR UNITS PRODUCED BETWEEN APRIL 1, 1988 AND APRIL 1, 1994

FL26-67E	DEFROST HEATERS, CORE, 1970 WATTS, 50" LENGTH, 208-230/460 V. (2 REQ'D)	205221020	\$305
FL36-100E	DEFROST HEATERS, CORE, 2980 WATTS, 74" LENGTH, 208-230/460 V. (2 REQ'D)	205221021	342
FL36-135E, FL36-160E	DEFROST HEATERS, CORE, 2980 WATTS, 75" LENGTH, 208-230/460 V. (2 REQ'D)	200172049	342
FL46-180E, FL46-220E †	DEFROST HEATERS, CORE, 1550 WATTS, 38" LENGTH, 208-230 V. (2 REQ'D)	200172024	285
FL46-265E †	DEFROST HEATERS, CORE, 2480 WATTS, 60" LENGTH, 208-230 V. (2 REQ'D)	200172028	338

### FOLLOWING HEATERS ARE FOR UNITS PRODUCED AFTER APRIL 1, 1994

FL26-67E	DEFROST HEATERS, CORE, 1970 WATTS, 50" LENGTH, 208-230/460 V. (2 REQ'D)	205221020	\$305
FL36-100E	DEFROST HEATERS, CORE, 2980 WATTS, 74" LENGTH, 208-230/460 V. (2 REQ'D)	205221021	342
FL36-135E, FL36-160E	DEFROST HEATERS, CORE, 2980 WATTS, 75" LENGTH, 208-230/460 V. (2 REQ'D)	200172049	342
FL46-180E, FL46-220E,	DEFROST HEATERS, CORE, 1550 WATTS, 38" LENGTH, 208-230/460 V. (2 REQ'D)	200172024	285
FL46-265E	DEFROST HEATERS, CORE, 2480 WATTS, 60" LENGTH, 208-230/460 V. (2 REQ'D)	200172028	338
FL56-370E	DEFROST HEATERS, CORE, 2480 WATTS, 60" LENGTH, 208-230/460 V. (4 REQ'D)	200172028	338

### FOLLOWING DRAIN PANS ARE FOR UNITS PRODUCED BEFORE APRIL 1, 1991.

2 FAN MODELS	DRAIN PANS, PAINTED (WHITE)	NLA	—
3 FAN FL MODELS	DRAIN PANS, PAINTED (WHITE)	NLA	—
4 FAN FL MODELS	DRAIN PANS, PAINTED (WHITE)	NLA	—

### FOLLOWING DRAIN PANS ARE FOR UNITS PRODUCED AFTER APRIL 1, 1991. \*

2 FAN FL MODELS	DRAIN PANS	10861406	\$584
3 FAN FL MODELS	DRAIN PANS	10861407	646
4 FAN FL MODELS	DRAIN PANS	10861403	741
5 FAN FL MODEL	DRAIN PANS	10861408	842
2 FAN MODEL (OPTIONAL)	DRAIN PANS, PAINTED (WHITE)‡	10861406W	1,025
3 FAN FL MODELS (OPTIONAL)	DRAIN PANS, PAINTED (WHITE)‡	10861407W	1,231
4 FAN FL MODELS (OPTIONAL)	DRAIN PANS, PAINTED (WHITE)‡	10861403W	1,406
5 FAN FL MODEL (OPTIONAL)	DRAIN PANS, PAINTED (WHITE)‡	10861408W	1,551

\* ALL FLOW-TEMP DRAIN PANS SHIP VIA COMMON CARRIER, NO UPS.

NLA-NO LONGER AVAILABLE

‡ MUST ADD NOTE TO ORDER TO INCLUDE WHITE PAINTED HOUSING.

† NEED ONE OF EACH HEATER TO MAKE THE TOTAL LENGTH OF THE UNIT. ORIGINAL HEATER IS NO LONGER AVAILABLE.

**INTER TEMP - MODELS ITA, ITE, ITG, ITH PRODUCED BEFORE MARCH, 1996**

MODEL NUMBER	DESCRIPTION	PART NUMBER	LIST PRICE
ALL MODELS	FAN BLADES, 14" DIAM., 32° PITCH, CW	214100000	\$198
ALL MODELS	FAN GUARD, WIRE, EPOXY COATED, 14" (original part 213626002 - No Longer A v.)	203626003	NLA
ALL ITA 2 FAN MODELS	DRAIN PAN, 45-1/2" LENGTH*	21414700	NLA
ALL ITA 3 FAN MODELS	DRAIN PAN, 63-1/2" LENGTH*	21414800	NLA
ALL ITA 4 FAN MODELS	DRAIN PAN, 81-1/2" LENGTH*	21414900	NLA
ALL ITA 5 FAN MODELS	DRAIN PAN, 99-1/2" LENGTH*	21415000	NLA
ALL ITE, ITG, ITH MODELS	DEFROST CONTROL, ADJUSTABLE, RANCO F-25	204464037	338
ITE24-110, ITE24-105, ITE26-125, ITE26-270	DEFROST HEATERS, CORE, 671 WATTS, 47" LENGTH, 230 V. (4 REQ'D)	112755000	NLA
	DEFROST HEATERS, DRAIN PAN, 238 WATTS, 97-7/8" LENGTH, 230 V. (2 REQ'D)	113889000	338
	DRAIN PAN, 45-1/2" LENGTH*	21415100	455
ITE34-225, ITE36-256	DEFROST HEATERS, CORE, 959 WATTS, 65" LENGTH, 230 V. (4 REQ'D)	112756000	NLA
	DEFROST HEATERS, DRAIN PAN, 168 WATTS, 70-1/8" LENGTH, 230 V. (4 REQ'D)	113888000	NLA
	DRAIN PAN, 63-1/2" LENGTH*	21415200	NLA
ITE44-300, ITE46-340	DEFROST HEATERS, CORE, 1247 WATTS, 83" LENGTH, 230 V. (4 REQ'D)	112757000	NLA
	DEFROST HEATERS, DRAIN PAN, 213 WATTS, 88-1/4" LENGTH, 230 V. (4 REQ'D)	113887000	NLA
	DRAIN PAN, 81-1/2" LENGTH*	21415300	NLA
ITE54-380, ITE56-430	DEFROST HEATERS, CORE, 1535 WATTS, 101" LENGTH, 230 V. (4 REQ'D)	112758000	NLA
	DEFROST HEATERS, DRAIN PAN, 258 WATTS, 106-1/8" LENGTH, 230 V. (4 REQ'D)	NLA	—
	DRAIN PAN, 99-1/2" LENGTH*	21415400	NLA

**CONTACT FACTORY FOR HOT GAS DRAIN PAN PRICING**

**FOLLOWING MOTORS ARE FOR UNITS PRODUCED BEFORE JANUARY 1, 1994.**

ALL MODELS	MOTOR, SHADED POLE, 1/8 HP, 1050 RPM, 115V.(CAPACITOR NOT INCLUDED)	122830000	\$733
	MOTOR , PSC, 1/8 HP, 1050 RPM, 230V. (CAPACITOR NOT INCLUDED)	049-146	NLA
	MOTOR, SHADED POLE, 1/15 HP, 1050 RPM, 460V.	NLA	—
ALL 115V MODELS	CAPACITOR, 10 MFD, FOR 1/15 HP 115 V. PSC MOTOR	08216063	44
ALL 230V MODELS	CAPACITOR, 5 MFD, FOR 1/8 HP 230 V. PSC MOTOR	202163004	44
ALL 460V MODELS	CAPACITOR, 7.5 MFD, FOR 1/8 HP 460 V. PSC MOTOR	202163008	NLA

**FOLLOWING MOTORS ARE FOR UNITS PRODUCED BETWEEN APRIL 30, 1994 AND MARCH, 1996.**

ALL MODELS	MOTOR, PSC, 1/8 HP, 1050 RPM, 115 V., (CAPACITOR NOT INCLUDED)	122830000	\$733
	MOTOR, PSC, 1/8 HP, 1050 RPM, 230 V., (CAPACITOR NOT INCLUDED)	049-146	NLA
	MOTOR, PSC, 1/8 HP, 1050 RPM, 460 V., (CAPACITOR NOT INCLUDED)	049-175	778
ALL 115V MODELS	CAPACITOR, 10 MFD, FOR 1/15 HP 115 V. PSC MOTOR	08216063	44
ALL 230V MODELS	CAPACITOR, 5 MFD, FOR 1/8 HP 230 V. PSC MOTOR	202163004	44
ALL 460V MODELS	CAPACITOR, 7.5 MFD, FOR 1/8 HP 460 V. PSC MOTOR	202163006	47

**INTER TEMP - MODELS ITA, ITE, ITG, ITH PRODUCED AFTER MARCH, 1996**

ITA24-126,-169, ITA34-224,-287, ITA26-145,-191, ITA36-240,-305, ITA28-151,-210, ITA38-260,-320, ITE24-105, -140, ITE34-175, ITE26-130, -150, ITE36 -185	FAN BLADE, 14" 32° PITCH, CW	214100000	\$198
	FAN GUARD, 14" WIRE, EPOXY COATED, BLUE	213626002	NLA
	FAN GUARD, 14" WIRE, EPOXY COATED, BLACK	213626003	116
	FAN GUARD, AIR STRAIGHTENER, 14"	11344700	NLA
ITA24-340,-395, ITA34-465,-585 ITA26-370,ITA36-415, -490,-620 ITA28-410,-450, ITA38-540,-690 ITE24-230,-325, ITE34-390,-510 ITE26-270, ITE26-320, ITE36-385 ITE36-460, ITE36-520	FAN BLADE, 20" 25° PITCH, CW	213456000	267
	FAN GUARD, WIRE, EPOXY COATED, 20"	213484000	219
	FAN GUARD, AIR STRAIGHTENER, 20"	10692300	373

\* INTER -TEMP DRAIN PANS MUST SHIP COMMON CARRIER, NO UPS.

NLA - NO LONGER AVAILABLE

**INTER TEMP - MODELS ITA, ITE, ITG, ITH PRODUCED AFTER MARCH,1996 (CONT)**

MODEL NUMBER	DESCRIPTION	PART NUMBER	LIST PRICE
ITA24-126,-169, ITA26-145,-191, ITA28-151,-210, ITE24-105,-140, ITE26-130,-150	DRAIN PAN, 55" LENGTH*	11523801	\$792
ITA34-224,287, ITA36-240,-305, ITA38-260,-320, ITE34-175, ITE36-185	DRAIN PAN, 76" LENGTH*	11523901	875
ITA24-340,-395, ITA26-370, ITA28-410,-450, ITE24-230,-325, ITE26-270,-320	DRAIN PAN, 76" LENGTH*	11524001	875
ITA34-465,-585, ITA38-540,-690, ITA36-415,-490,-620, ITE34-390,-510, ITE36-385,-460,-520	DRAIN PAN, 106" LENGTH*	11524101	875
ALL ITE MODELS	DEFROST TERMINATION CONTROL	103079010	127
ALL ITE MODELS	FAN DELAY CONTROL	103079009	127
ALL ITE MODELS	HEATER SAFETY CONTROL	103079003	116
ITE24-105, ITE24-140, ITE26-130, ITE26-150	DEFROST HEATERS, 240V, 1693 WATTS 50" LENGTH, 3 REQ.	206240022	312
	DEFROST HEATERS,460V, 1555 WATTS, 50" LENGTH, 3 REQ.	206240021	487
	DEFROST HEATERS,575V, 1555 WATTS, 50" LENGTH, 3 REQ.	206240030	487
ITE34-175, ITE24-230, ITE24-325, ITE36-185, ITE26-270, ITE26-320	DEFROST HEATERS, 240V, 2458 WATTS, 70" LENGTH, 3 REQ.	206240004	410
	DEFROST HEATERS, 460V, 2258 WATTS, 70" LENGTH, 3 REQ.	206240020	612
	DEFROST HEATERS, 575V, 2258 WATTS, 70" LENGTH, 3 REQ.	206240029	612
ITE34-390, ITE34-510, ITE36-385, ITE36-460, ITE36-520	DEFROST HEATERS, 240V, 3538 WATTS, 100" LENGTH, 3 REQ.	206240005	513
	DEFROST HEATERS, 460V, 3249 WATTS, 100" LENGTH, 3 REQ.	206240019	700
	DEFROST HEATERS, 575V, 3249 WATTS, 100" LENGTH, 3 REQ.	206240028	700
ITA24-126,-169, ITA34-224,-287, ITA26-145,-191, ITA36-240,-305, ITA28-151,-210, ITA38-260,-320	MOTOR, PSC, 115V, 1/8 HP, 1075 RPM (4 MFD CAP. NOT INCLUDED)	115248001	733
	CAPACITOR, 4MFD, FOR 1/8 HP (115 V, 230V, 460V.) PSC MOTOR	202163012	44
	MOTOR, <b>ECM</b> , 115V, 1/8 HP, 1075 RPM	08216128	892
ITA24-340,-395, ITA34-465,-585, ITA26-370, ITA36-415, -490,-620, ITA28-410,-450, ITA38-540,-690, ITA24-340,-395, ITA34-465,-585	MOTOR, PSC, 115V, 1/3 HP, 1075 RPM (NO LONGER AVAILABLE use 205051020)	205051005	—
	MOTOR, PSC, 115V, 1/3 HP, 1075 RPM, LO-GRSE (5 MFD CAP. NOT INCLUDED)	<b>205051020</b>	795
	CAPACITOR, 5MFD, FOR 1/3 HP (115V) PSC MOTOR	202163004	44
	MOTOR, <b>ECM</b> , 115V, 1/3 HP, 1075 RPM	08216130	881
ITA24-126,-169, ITA34-224,-287, ITA26-145,-191, ITA36-240,-305, ITA28-151,-210, ITA38-260,-320, ITE24-105, ITE24-140, ITE34-175, ITE26-130, ITE26-150, ITE36-185	MOTOR, PSC, 230V, 1/8 HP, 1075 RPM (4 MFD CAP. NOT INCLUDED)	115248002	733
	CAPACITOR, 4MFD, FOR 1/8 HP (115 V, 230V, 460V.) PSC MOTOR	202163012	44
	MOTOR, <b>ECM</b> , 230V, 1/8 HP, 1075 RPM	08216129	924
ITA24-340,-395, ITA34-465,-585, ITA26-370,-415, ITA36-415,-490,-620, ITA28-410,-450, ITA38-540,-690, ITE24-230,-325, ITE34-390,-510, ITE26-270, ITE26-320, ITE36-385, ITE36-460, ITE36-520	MOTOR, PSC, 115V, 1/3 HP, 1075 RPM (NO LONGER AVAILABLE use 205051019)	205051004	—
	MOTOR, PSC, 230V, 1/3 HP, 1075 RPM, LO-GRSE (5.0 MFD CAP. NOT INCLUDED)	<b>205051019</b>	900
	CAPACITOR, 5.0 MFD, FOR 1/3 HP (230V) PSC MOTOR	202163004	44
	MOTOR, <b>ECM</b> , 230V, 1/3 HP, 1075 RPM	08216131	1,075
ITA24-126,-169, ITA34-224,-287, ITA26-145,-191, ITA36-240,-305, ITA28-151,-210, ITA38-260,-320, ITE24-105, ITE24-140, ITE34-175, ITE26-130, ITE26-150, ITE36-185	MOTOR, PSC, 460V, 1/8 HP, 1075 RPM (4 MFD CAP. NOT INCLUDED)	115248003	778
	MOTOR, PSC, 575V, 1/8 HP, 1075 RPM (4 MFD CAP. NOT INCLUDED)	115951000	864
	CAPACITOR, 4MFD, FOR 1/8 HP (115 V, 230V, 460V.) PSC MOTOR	202163012	44
ITA24-340,-395, ITA34-465,-585, ITA26-370,-415, ITA36-490,-620, ITA28-410,-450, ITA38-540,-690, ITE24-230,-325, ITE34-390,-510, ITE26-270, ITE26-320, ITE36-385, ITE36-460, ITE36-520	MOTOR, PSC, 460V, 1/3 HP, 1075 RPM (NO LONGER AVAILABLE use 205051021)	205051006	—
	MOTOR, PSC, 460V, 1/3 HP, 1075 RPM, LO-GRSE (7.5 MFD CAP. NOT INCLUDED)	<b>205051021</b>	970
	MOTOR, PSC, 575V, 1/3 HP, 1075 RPM (7.5 MFD CAP. NOT INCLUDED)	115950000	923
	CAPACITOR, 7.5 MFD, FOR 1/3 HP (230V,460V) PSC MOTOR	202163006	47
MODELS WITH 14" FANS	MOTOR MOUNT 14"	214837000	124
MODELS WITH 20" FANS	MOTOR MOUNT 20"	210225000	215

\* INTER - TEMP DRAIN PANS MUST SHIP VIA COMMON CARRIER. NO UPS SHIPMENTS

**BOLD PART NUMBERS ARE FOR REPLACEMENT MOTORS**

**ULTRA TEMP - MODELS U\*U, U\*L, U\*M, UAH**

MODEL NUMBER	DESCRIPTION	PART NUMBER	LIST PRICE
ALL MODELS	DEFROST CONTROL, ADJUSTABLE, RANCO F-25	204464037	\$338
ALL 1 FAN MODELS	DEFROST HEATERS, CORE, 1378 WATTS, 40" LENGTH, 208-230/460 V. (4 REQ'D)	206240003	254
	DEFROST HEATERS, CORE, 1378 WATTS, 40" LENGTH, 300 V. (4 REQ'D)	206240025	319
ALL 2 FAN MODELS	DEFROST HEATERS, CORE, 2458 WATTS, 70" LENGTH, 208-230/460 V. (4 REQ'D)	206240004	410
	DEFROST HEATERS, CORE, 2458 WATTS, 70" LENGTH, 300 V. (4 REQ'D)	206240026	519
ALL 3 FAN MODELS	DEFROST HEATERS, CORE, 3538 WATTS, 100" LENGTH, 208-230/460 V. (4 REQ'D)	206240005	513
	DEFROST HEATERS, CORE, 3538 WATTS, 100" LENGTH, 300 V. (4 REQ'D)	206240027	665
UEU4-711 UEL4-817, UEL4-722 UEM4-780, UEM4-882	DEFROST HEATERS, CORE, 2305 WATTS, 132" LENGTH, 208-230/460 V. (8 REQ'D)	206240002	408
UEU4-851, UEU4-1080, UEL4-950, UEL4-1100, UEL4-1260, UEL4-1380, UEM4-1100 UEM4-1320, UEM4-1656	DEFROST HEATERS, CORE, 2305 WATTS, 132" LENGTH, 208-230/460 V. (12 REQ'D)	206240002	408
UEU5-1350, UEL5-1575	DEFROST HEATERS, CORE, 2837 WATTS, 162" LENGTH, 208-230/460 V (12 REQ'D)	206240017	472
UEL5-1725, UEM5-2065	DEFROST HEATERS, CORE, 2837 WATTS, 162" LENGTH, 208V (300V units) (12 REQ'D)	206240032	487
UEU6-1620, UEL6-1890	DEFROST HEATERS, CORE, 3369 WATTS, 192" LENGTH, 208-230/460 V (12 REQ'D)	206240018	565
UEL6-2070, UEM6-2480	DEFROST HEATERS, CORE, 3369 WATTS, 192" LENGTH, 208V (300V units) (12 REQ'D)	206240031	590
ALL MODELS	DEFROST HEATER, DRAIN PLUG, 540 WATTS, 208-230/460 V.	10780703	NLA

**FOLLOWING DRAIN PANS ARE FOR UNITS PRODUCED BEFORE JULY 31, 1995 \*\* (contact factory for Hot Gas Pans)**

1 FAN MODELS	DRAIN PAN, 46-1/2"LENGTH - (SHIPS FROM YUMA, AZ) SPECIFY MOD# AND S/N.	12270501	\$698
2 FAN MODELS	DRAIN PAN, 76-1/2"LENGTH - (SHIPS FROM YUMA, AZ) SPECIFY MOD# AND S/N.	12270502	784
3 FAN MODELS	DRAIN PAN, 106-1/2"LENGTH - (SHIPS FROM YUMA, AZ) SPECIFY MOD# AND S/N.	12270503	865
4 FAN MODELS	DRAIN PAN, 136-1/2"LENGTH - (SHIPS FROM YUMA, AZ) SPECIFY MOD# AND S/N.	12270504	950
5 FAN MODELS	DRAIN PAN, 166-1/2"LENGTH - (SHIPS FROM YUMA, AZ) SPECIFY MOD# AND S/N.	12270505	1,150
6 FAN MODELS	DRAIN PAN, 196-1/2"LENGTH - (SHIPS FROM YUMA, AZ) SPECIFY MOD# AND S/N.	21505600	1,425

**FOLLOWING DRAIN PANS ARE FOR UNITS PRODUCED AFTER JULY 31, 1995\*\* (contact factory for Hot Gas Pans)**

1 FAN MODELS	DRAIN PAN, 46-1/2"LENGTH - (SHIPS FR YUMA, AZ) SPECIFY MOD# AND S/N.	10642401	\$698
2 FAN MODELS	DRAIN PAN, 76-1/2"LENGTH - (SHIPS FR YUMA, AZ) SPECIFY MOD# AND S/N.	10642402	784
3 FAN MODELS	DRAIN PAN, 106-1/2"LENGTH - (SHIPS FROM YUMA, AZ) SPECIFY MOD# AND S/N.	10642403	865
4 FAN MODELS (AIR DEFROST)	DRAIN PAN, 136-1/2"LENGTH - (SHIPS FROM YUMA, AZ) SPECIFY MOD# AND S/N.	10642404	950
5 FAN MODELS (AIR DEFROST)	DRAIN PAN, 166-1/2"LENGTH - (SHIPS FROM YUMA, AZ) SPECIFY MOD# AND S/N.	21884500	1,150
6 FAN MODELS (AIR DEFROST)	DRAIN PAN, 196-1/2"LENGTH - (SHIPS FROM YUMA, AZ) SPECIFY MOD# AND S/N.	21884600	1,263
4 FAN MODELS (ELEC. DEF)	DRAIN PAN, 136-1/2"LENGTH - (SHIPS FROM YUMA, AZ) SPECIFY MOD# AND S/N.	21485900	1,112
5 FAN MODELS (ELEC. DEF)	DRAIN PAN, 166-1/2"LENGTH - (SHIPS FROM YUMA, AZ) SPECIFY MOD# AND S/N.	21512700	1,311
6 FAN MODELS (ELEC. DEF)	DRAIN PAN, 196-1/2"LENGTH - (SHIPS FROM YUMA, AZ) SPECIFY MOD# AND S/N.	21505600	1,425
4,5,6, FAN MODELS	DRAIN PAN, CONNECTION 1-1/4"	114896001	49

**FOLLOWING DRAIN PAN HEATERS ARE FOR UNITS PRODUCED AFTER JULY 31, 1995\*\***

1-3 FAN MODELS*	NOT REQUIRED	NLA	—
4 FAN MODELS	DRAIN PAN HTR, 133-1/2"LENGTH, SPEC. MOD# AND S/N.( 2 REQ.), 540 WATTS, 230V	115098000	\$439
	DRAIN PAN HTR, 146-1/8"LENGTH, SPEC. MOD# AND S/N.( 2 REQ.), 540 WATTS, 300V	125704000	465
5 FAN MODELS	DRAIN PAN HTR, 163-1/2"LENGTH, SPEC. MOD# AND S/N.( 2 REQ.), 660 WATTS, 230V	115099000	496
	DRAIN PAN HTR, 176-1/8"LENGTH, SPEC. MOD# AND S/N.( 2 REQ.), 660 WATTS, 300V	125705000	524
6 FAN MODELS	DRAIN PAN HTR, 196-1/2"LENGTH, SPEC. MOD# AND S/N.( 2 REQ.), 780 WATTS, 230V	115100000	606
	DRAIN PAN HTR, 206-1/8"LENGTH, SPEC. MOD# AND S/N.( 2 REQ.), 780 WATTS, 300V	125706000	652

**FOLLOWING FAN BLADES ARE FOR UNITS PRODUCED BEFORE APRIL 1, 1990.**

ALL 1, 2, & 3 FAN U*U, AND U*L MODELS, AND U*U4-711, U*L4-722, U*L4-817	FAN BLADES, 20" DIAM., 23° PITCH, CW, 1/2" BORE	202147008	\$305
U*U4-851, U*U4-1080, U*L4-1100, U*L4-1380 U*M4-1320, U*M4-1656, UAH4-1452, UAH4-1821	FAN BLADES, 24" DIAM., 32° PITCH, CW, 1/2" BORE, 3 BLADES	213455000	305
ALL 1, 2, & 3 FAN U*M, AND UAH MODELS, AND U*M4-780, U*M4-822, UAH4-866, UAH4-980	FAN BLADES, 20" DIAM., 25° PITCH, CW, 1/2" BORE	213456000	267

\* NO DRAIN PAN HEATERS FOR 1 - 3 FAN MODELS (BOTTOM CORE HEATER DEFROSTS THE DRAIN PAN.)

NLA - NO LONGER AVAILABLE

\*\* MUST SHIP VIA COMMON CARRIER. NO UPS SHIPMENTS

**ULTRA TEMP - MODELS U\*U, U\*L, U\*M, UAH (Con't)**

**FOLLOWING FAN BLADES ARE FOR UNITS PRODUCED AFTER APRIL 1, 1990.**

U*U1-118, U*U2-236, U*L1-125 U*L1-152, U*L1-193, U*L2-240, U*L2-304	FAN BLADES, 20" DIAM., 23° PITCH, CCW , 1/2" BORE	202147008	\$305
U*U2-355, U*L2-361, U*L2-408, U*M4-1100, U*M4-1320, U*M4-1656, UAH4-1452, UAH4-1821, UAH5-2275, UAH6-2730, & ALL 3, 4, 5, & 6 FAN U*U AND U*L MODELS	FAN BLADES, 24" DIAM., 32° PITCH, CW, 1/2" BORE, 3 BLADES	213455000	305
U*M1-164, U*M1-209, U*M2-270, U*M2-239, UAH1-182, UAH1-232, UAH2-300, UAH2-365	FAN BLADES, 20" DIAM., 25° PITCH, CW, 1/2" BORE	213456000	267
U*M2-390, U*M2-441, UAH2-433, UAH2-490, ALL 3 FAN U*M, AND UAH MODELS U*M4-780, U*M4-882, U*M5-2065, U*M6-2480, UAH4-866, UAH4-980, UAH4-1100	FAN BLADES, 24" DIAM., 14° PITCH, CW , 1/2" BORE	214041000	295
U*U1-118, U*U2-236, U*L1-125, U*L1-152, U*L1-193, U*L2-240, U*L2-304, U*M1-164, U*M1-209, U*M2-270, U*M2-329, UAH1-182, UAH1-232, UAH2-300, UAH2-365	FAN GUARD, WIRE, EPOXY COATED, 20"	213484000	219
	FAN GUARD, AIR STRAIGHTENER (20" FANS)	10692300	373
U*U2-355, U*L2-361, U*L2-408, U*M2-390, U*M2-441, UAH2-433, UAH2-490, AND ALL 3, 4, 5, & 6 FAN U*U, U*L, U*M, UAH MODELS	FAN GUARD, WIRE, EPOXY COATED, 24"	202136005	448
	FAN GUARD, AIR STRAIGHTENER (24" FANS)	10709900	448

**FOLLOWING MOTORS ARE FOR UNITS PRODUCED BEFORE APRIL 1, 1990.**

ALL 1, 2, & 3 FAN U*M, & UAH & U*M4-780, U*M4-882, UAH4-866, UAH4-980, UAH4-1100	MOTOR, PSC, 115V, 1/3 HP, 1075 RPM (NO LONGER AVAILABLE FOR EVAP. UNITS)	205051005	NLA
	MOTOR, PSC, 115V, 1/3 HP, 1075 RPM, LO-GRSE (5 MFD CAP. NOT INCLUDED)	<b>205051020</b>	\$795
	MOTOR, PSC, 230V, 1/3 HP, 1075 RPM (NO LONGER AVAILABLE FOR EVAP. UNITS)	205051004	NLA
	MOTOR, PSC, 230V, 1/3 HP, 1075 RPM, LO-GRSE (5.0 MFD CAP. NOT INCLUDED)	<b>205051019</b>	900
	MOTOR, PSC, 460V, 1/3 HP, 1075 RPM (NO LONGER AVAILABLE FOR EVAP UNITS)	205051006	NLA
	MOTOR, PSC, 460V, 1/3 HP, 1075 RPM, LO-GRSE (7.5 MFD CAP. NOT INCLUDED)	<b>205051021</b>	970
U*U4-851, U*U4-1080, U*L4-1100, U*L4-1380 U*M4-1320, U*M4-1656, UAH4-1452, UAH4-1821	MOTOR, PSC, 3/4 HP, 1075RPM, 208-230/60/1 (NO LONGER AVAILABLE FOR EVAPS)	205051009	NLA
	MOTOR, PSC, 3/4 HP, 1075RPM, 208-230/60/1 (5 MFD CAPACITOR NOT INCLUDED)	<b>118187000</b>	1,224
	MOTOR, PSC, 3/4 HP, 1075RPM, 460/60/1 (NO LONGER AVAILABLE FOR EVAP UNITS)	205051002	NLA
	MOTOR, PSC, 3/4 HP, 1075RPM, 460/60/1 (5 MFD CAPACITOR NOT INCLUDED)	<b>118186000</b>	1,402
ALL 1, 2, & 3 FAN U*U, AND U*L MODELS, AND U*U4-711, U*L4-722, U*L4-817	MOTOR, PSC, 3/4 HP, 1625 RPM, 208-230/60/1 (7.5 MFD CAPACITOR NOT INCLUDED)	205051007	993
	MOTOR, PSC, 3/4 HP, 1625 RPM, 460/60/1 (7.5 MFD CAPACITOR NOT INCLUDED)	205051008	1,068
ALL MODELS	MOTOR, MOUNT, 24"	205269000	215

**FOLLOWING MOTORS ARE FOR UNITS PRODUCED AFTER APRIL 1, 1990.**

ALL 1, 2, 3, FAN U*M, AND UAH MODELS, AND U*M4-780, U*M4-882, UAH4-866, UAH4-980, UAH4-1100	MOTOR, PSC, 115V, 1/3 HP, 1075 RPM (NO LONGER AVAILABLE FOR EVAP. UNITS)	205051005	NLA
	MOTOR, PSC, 115V, 1/3 HP, 1075 RPM, LO-GRSE (5 MFD CAP. NOT INCLUDED)	<b>205051020</b>	\$795
	MOTOR, <b>ECM</b> , 1/3 HP, 1075 RPM, CCW, 115V	08216130	881
	MOTOR, PSC, 230V, 1/3 HP, 1075 RPM (NO LONGER AVAILABLE FOR EVAP. UNITS)	205051004	NLA
	MOTOR, PSC, 230V, 1/3 HP, 1075 RPM, LO-GRSE (5.0 MFD CAP. NOT INCLUDED)	<b>205051019</b>	900
	MOTOR, <b>ECM</b> , 1/3 HP, 1075 RPM, CCW, 230V	08216131	1,075
	MOTOR, PSC, 460V, 1/3 HP, 1075 RPM (NO LONGER AVAILABLE FOR EVAP UNITS)	205051006	NLA
	MOTOR, PSC, 460V, 1/3 HP, 1075 RPM, LO-GRSE (7.5 MFD CAP. NOT INCLUDED)	<b>205051021</b>	970
	MOTOR, PSC, 1/3 HP, 1075 RPM, 575/60/1 (7.5 MFD CAPACITOR NOT INCLUDED)	115950000	923
U*U2-355, U*L2-361, U*L2-408, AND ALL 3, 4, 5, & 6 FAN U*U, AND U*L MODELS, U*M4-1100, U*M4-1320, U*M4-1656, U*M5-2065 U*M6-2480, UAH4-1452, UAH4-1821 UAH5-2275, UAH6-2730	MOTOR, PSC, 3/4 HP, 1075RPM, 208-230/60/1 (NO LONGER AVAILABLE FOR EVAPS)	205051009	NLA
	MOTOR, PSC, 3/4 HP, 1075RPM, 208-230/60/1 (5 MFD CAPACITOR NOT INCLUDED)	<b>118187000</b>	1,224
	MOTOR, PSC, 3/4 HP, 1075RPM, 460/60/1 (NO LONGER AVAILABLE FOR EVAP UNITS)	205051002	NLA
	MOTOR, PSC, 3/4 HP, 1075RPM, 460/60/1 (5 MFD CAPACITOR NOT INCLUDED)	<b>118186000</b>	1,402
	MOTOR, PSC, 1/2 HP, 1075RPM, 575/60/1 (5 MFD CAPACITOR NOT INCLUDED)	115952000	875
	MOTOR, <b>ECM</b> , 3/4 HP, 1075 RPM, CCW, 230V	08216132	1,387
U*U1-118, U*U2-236, U*L1-125, U*L1-152, U*L1-193, U*L2-240 U*L2-304	MOTOR, PSC, 3/4 HP, 1625 RPM, 208-230/60/1 (7.5 MFD CAPACITOR NOT INCLUDED)	205051007	993
	MOTOR, PSC, 3/4 HP, 1625 RPM, 460/60/1 (7.5 MFD CAPACITOR NOT INCLUDED)	205051008	1,068
	MOTOR, PSC, 1/2 HP, 1075RPM, 575/60/1 (5 MFD CAPACITOR NOT INCLUDED)	115952000	875
	MOTOR, <b>ECM</b> , 3/4 HP, 1625 RPM, CCW, 230V	08216133	1,141
ALL MODELS	MOTOR, MOUNT, 24"	205269000	215
ALL MODELS	CAPACITOR, 5MFD, 230/1 V. PSC MOTORS ONLY	202163004	44
	CAPACITOR, 7.5 MFD, 230/1 V. PSC MOTORS ONLY	202163006	47

**BOLD PART NUMBERS ARE FOR REPLACEMENT MOTORS**

## FLEX TEMP-MODELS FT

MODEL NUMBER	DESCRIPTION	PART NUMBER	LIST PRICE
FT18-6, FT18-8	DRAIN PAN-VENTURI	20985600	\$129
	FAN BLADES, PLASTIC, 6" DIAM., 21° PITCH, CW, HUBLESS	105849001	54
	FAN GUARD, PLASTIC, 6"	205932000	84
	MOTOR, SKELETON FRAME, SHADED POLE, 43 WATT INPUT, 3000 RPM, 115 V.	102249005	154
	MOTOR, SKELETON FRAME, SHADED POLE, 43 WATT INPUT, 3000 RPM, 230 V.	102249007	154
FT28-12	DRAIN PAN-VENTURI	20985500	170
	FAN BLADES, PLASTIC, 6" DIAM., 21° PITCH, CW, HUBLESS	105849001	54
	FAN GUARD, PLASTIC, 6"	205932000	84
	MOTOR, SKELETON FRAME, SHADED POLE, 43 WATT INPUT, 3000 RPM, 115 V.	102249005	154
	MOTOR, SKELETON FRAME, SHADED POLE, 43 WATT INPUT, 3000 RPM, 230 V.	102249007	154
FT18-17	DRAIN PAN-VENTURI	20985400	205
	FAN BLADES, 8" DIAM., 31° PITCH, CW, HUBLESS	204395009	45
	FAN GUARD, PLASTIC, 8"	206569000	86
	MOTOR, SHADED POLE, 9 WATT, 1550 RPM, 115 V.	103104004	152
	MOTOR, SHADED POLE, 9 WATT, 1550 RPM, 230 V.	103104005	152
	MOTOR, <b>ECM</b> , 16W, 1550 RPM, 115V	107933006	641
	MOTOR, <b>ECM</b> , 16W, 1550 RPM, 230V	107933003	665
FT18-23, FT18-31	DRAIN PAN-VENTURI	20985300	260
	FAN BLADES, 10" DIAM., 25° PITCH, CCW	214022000	49
	FAN GUARD, WIRE, EPOXY COATED , 10"	201006002	92
	MOTOR, SHADED POLE, 1/20 HP, 1550 RPM, 115 V.	102540003	197
	MOTOR, SHADED POLE, 1/20 HP, 1550 RPM, 208-230 V.	102540004	197
	MOTOR, <b>ECM</b> , 1/30 HP, 1550 RPM, 115V	08216126	749
	MOTOR, <b>ECM</b> , 1/30 HP, 1550 RPM, 230V	08216127	782

## HI TEMP - MODELS HI

HI17-6, HI17-9, HI17-12, HI17-15	DRAIN PAN	NLA	—
HI17-18, HI17-25	DRAIN PAN	NLA	—
HI17-35, HI17-45, HI18-55	DRAIN PAN	NLA	—
HI17-65, HI17-75, HI18-85	DRAIN PAN	NLA	—
HI17-105, HI18-120	DRAIN PAN	NLA	—
HI27-150, HI27-180	DRAIN PAN	NLA	—
HI17-6	FAN BLADES, 6" DIAM., 20° PITCH, CW, HUBLESS	105849001	\$54
HI17-9, HI17-12, HI17-15	FAN BLADES, 8" DIAM., 31° PITCH, CW , HUBLESS	204395009	45
HI17-18, HI17-25	FAN BLADES, 10" DIAM., 20° PITCH, CW, HUBLESS	204395015	49
HI17-35	FAN BLADES, 12" DIAM., 19° PITCH, CW, 5/16" BORE	NLA	—
HI17-45	FAN BLADES, 12" DIAM., 19° PITCH, CW, 5/16" BORE	NLA	—
HI18-55	FAN BLADES, 12" DIAM., 23° PITCH, CW, 5/16" BORE	215112000	147
HI17-65, HI27-150,	FAN BLADES, 16" DIAM., 19° PITCH, CW, 1/2" BORE	11905	184
HI17-75, HI18-85, HI17-105 HI18-120, HI27-180	FAN BLADES, 16" DIAM., 23° PITCH, CW, 1/2" BORE	NLA	—
HI17-6	FAN GUARD, PLASTIC, 6"	205932000	84
HI17-9, HI17-12, HI17-15	FAN GUARD, PLASTIC, 8"	206569000	86
HI17-18, HI17-25	FAN GUARD, WIRE, EPOXY COATED , 10"	08397002	92
HI17-35, HI17-45, HI18-55	FAN GUARD, WIRE, EPOXY COATED , 12"	201006011	92
HI17-65 THRU HI27-180	FAN GUARD, WIRE, EPOXY COATED , 16"	201006004	124
HI17-6, HI17-9, HI17-12	MOTOR, SHADED POLE, 4 WATT, 1550 RPM, 115 V.	NLA	NLA
HI17-15, HI17-18, HI17-25	MOTOR, SHADED POLE, 9 WATT, 1550 RPM, 115 V.	103104004	152
	MOTOR, SHADED POLE, 9 WATT, 1550 RPM, 230 V.	103104005	152
HI17-35, HI17-45, HI18-55	MOTOR, SHADED POLE, 1/20 HP, 1550 RPM, 115 V.	08216072	197
	MOTOR, SHADED POLE, 1/20 HP, 1550 RPM, 230 V.	08216071	213
HI17-65, HI17-75, HI18-85, HI17-105, HI27-150, HI27-180	MOTOR, SHADED POLE, 1/12 HP, 1050 RPM, 115 V.	08216119	603
	MOTOR, SHADED POLE, 1/12 HP, 1050 RPM, 230 V.	NLA	—
HI18-120	MOTOR, SHADED POLE, 1/6 HP, 1050 RPM, 115/230 V.	NLA	—
HI17-6 THRU HI18-55	MOTOR MOUNT (SPECIFY UNIT MODEL NUMBER WHEN ORDERING)	NLA	—
HI17-65 THRU HI27-180	MOTOR MOUNT (SPECIFY UNIT MODEL NUMBER WHEN ORDERING)	NLA	—

NLA - NO LONGER AVAILABLE

## ASL MODELS

MODEL NUMBER	DESCRIPTION	PART NUMBER	LIST PRICE
ASL25-46E	DEFROST HEATERS, CORE, 1300 WATTS, 39" LENGTH, 230 V.	205221013	\$285
	DRAIN PAN, 46" LENGTH	20248901	428
ASL25-58E	DEFROST HEATERS, CORE, 1970 WATTS, 48" LENGTH, 230 V.	200172026	306
	DRAIN PAN	202489001	428
ASL35-70E	DEFROST HEATERS, CORE, 1850 WATTS, 62" LENGTH, 230 V.	205221016	448
	DRAIN PAN, 69" LENGTH	20248902	513
ASL45-94E	DEFROST HEATERS, CORE, 1250 WATTS, 42" LENGTH, 230 V. (2 REQ'D)	205221007	369
	DRAIN PAN, 92" LENGTH	20248903	568
ASL55-117E	DEFROST HEATERS, CORE, 1600 WATTS, 54" LENGTH, 230 V. (2 REQ'D)	205221010	423
	DRAIN PAN, 115" LENGTH	20248904	622
ALL "ASL-E" MODELS	DEFROST CONTROL, NON-ADJUSTABLE, 3 WIRE	103079002	127
ALL "ASL-E" MODELS	HEATER SAFETY SWITCH, 2 WIRE	103079003	116
ALL "ASL" MODELS	FAN BLADES, 10" DIAM., 31° PITCH, CCW, HUBLESS, 1/4" BORE	204395018	49
ALL "ASL" MODELS	FAN GUARD, WIRE, EPOXY COATED, 10", (WHITE)	08397053	92
ALL "ASL" MODELS	MOTOR MOUNT	10243000	92
ALL "ASL" MODELS	MOTOR, <b>SHADED POLE</b> , 16 WATT, 1550 RPM, 115 V.	103104007	181
Shaded Pole Motors	MOTOR, <b>SHADED POLE</b> , 16 WATT, 1550 RPM, 230 V.	103104008	181
ALL "ASL" MODELS	MOTOR, <b>PSC</b> , 16 WATT, 1550 RPM, 115 V.	107933001	369
Permanent Split Capacitor Motors	MOTOR, <b>PSC</b> , 16 WATT, 1550 RPM, 230 V. (No longer available. Use 107933003)	107933002	NLA
ALL MODELS	MOTOR, <b>ECM</b> , 16 WATT, 1550 RPM, 115 V.	107933006	641
Electronically Commutated Motors	MOTOR, <b>ECM</b> , 16 WATT, 1550 RPM, 230 V.	107933003	665

## ASLA & ASLE

ASLE 25-46	DEFROST HEATERS, CORE, 1300 WATTS, 39" LENGTH, 230 V.	205221013	\$285
	DRAIN PAN	202489001	428
ASLE 25-58	DEFROST HEATERS, CORE, 1970 WATTS, 48" LENGTH, 230 V.	200172026	306
	DRAIN PAN	202489001	428
ASLE 35-70	DEFROST HEATERS, CORE, 1850 WATTS, 62" LENGTH, 230 V.	205221016	448
	DRAIN PAN	202489002	513
ASLE 45-94	DEFROST HEATERS, CORE, 1250 WATTS, 42" LENGTH, 230 V. (2 REQ'D)	205221007	369
	DRAIN PAN	202489003	568
ASLE55-117	DEFROST HEATERS, CORE, 1600 WATTS, 54" LENGTH, 230 V. (2 REQ'D)	205221010	423
	DRAIN PAN	202489004	622
ASLE 65-150	DEFROST HEATERS, CORE, 1850 WATTS, 62" LENGTH, 230 V. (2 REQ'D)	205221016	448
	DRAIN PAN	22118700	513
ALL "ASLE" MODELS	DEFROST CONTROL, DEFROST TERMINATION, (TIMER RESET) 2 WIRE	103079010	127
ALL "ASLE" MODELS	DEFROST CONTROL, FAN DELAY, 2 WIRE	103079009	127
ALL "ASLE" MODELS	HEATER SAFETY SWITCH, 2 WIRE	103079003	116
ALL "ASL" MODELS	FAN BLADES, 10" DIAM., 31° PITCH, CCW, HUBLESS, 1/4" BORE	204395018	49
ALL "ASL" MODELS	FAN GUARD, WIRE, EPOXY COATED, 10"	201006002	92
ALL "ASL" MODELS	MOTOR, <b>SHADED POLE</b> , 16 WATT, 1550 RPM, 115 V.	103104007	181
Shaded Pole Motors	MOTOR, <b>SHADED POLE</b> , 16 WATT, 1550 RPM, 230 V.	103104008	181
ALL "ASL" MODELS	MOTOR, <b>PSC</b> , 16 WATT, 1550 RPM, 115 V.	107933001	369
Permanent Split Capacitor Motors	MOTOR, <b>PSC</b> , 16 WATT, 1550 RPM, 230 V. (No longer available. Use 107933003)	107933002	NLA
ALL MODELS	MOTOR, <b>ECM</b> , 16 WATT, 1550 RPM, 115 V.	107933006	641
Electronically Commutated Motors	MOTOR, <b>ECM</b> , 16 WATT, 1550 RPM, 230 V.	107933003	665

### MINI TWIN TEMP - MODELS MTW

MODEL NUMBER	DESCRIPTION	PART NUMBER	LIST PRICE
MTW18-8	DRAIN PAN (VENTURI)	20317800	\$167
MTW28-13	DRAIN PAN (VENTURI)	20317900	221
MTW28-18	DRAIN PAN (VENTURI)	20317900	221
MTW38-27	DRAIN PAN (VENTURI)	203176000	228
ALL "MTW" MODELS	FAN BLADES, 6" DIAM., 21° PITCH, CW, 1/4" BORE, PLASTIC	105849001	54
ALL "MTW" MODELS	FAN GUARD, PLASTIC, 6"	205932000	84
ALL "MTW" MODELS	MOTOR, SKELETON FRAME, SHADED POLE, 43 WATT INPUT, 3000 RPM, 115 V.	102249005	154
	MOTOR, SKELETON FRAME, SHADED POLE, 43 WATT INPUT, 3000 RPM, 230 V.	102249007	154
ALL "MTW" MODELS	MOTOR MOUNT	12003600	45

### MULLION TEMP - MODELS MUF, MDF, WAX

ALL 27-13, AND 27-17 MODELS	DRAIN PAN	20782200	129
ALL 37-23 MODELS	DRAIN PAN	20988300	158
ALL MUF AND WAX MODELS	FAN BLADES, 5" DIAM., CCW , PLASTIC	105849004	40
ALL MDF MODELS	FAN BLADES, 5" DIAM., CW, PLASTIC	105849002	40
ALL MDF MODELS	FAN GUARD, Plastic 5"	207824000	82
ALL MODELS	MOTOR, SKELETON FRAME, SHADED POLE, 43 WATT INPUT, 3000 RPM, 115 V.	102249005	154
	MOTOR, SKELETON FRAME, SHADED POLE, 43 WATT INPUT, 3000 RPM, 230 V.	102249007	154

### SLIM TEMP - MODELS SL, AIR AND ELECTRIC DEFROST

SLE- ALL MODELS	DEFROST TERMINATION / FAN DELAY 3 WIRE NON-ADJUSTABLE	103079002	\$127
SL15-9E	DEFROST HEATER, CORE, 420 WATTS, 10" LENGTH, 115 V.	NLA	—
	DEFROST HEATER, CORE, 420 WATTS, 10" LENGTH, 230 V.	NLA	—
SL15-11E	DEFROST HEATERS, CORE, 500 WATTS, 14" LENGTH, 115 V.	NLA	—
	DEFROST HEATERS, CORE, 500 WATTS, 14" LENGTH, 230 V.	NLA	—
SL25-15E	DEFROST HEATERS, CORE, 700 WATTS, 17" LENGTH, 115 V.	NLA	—
	DEFROST HEATERS, CORE, 700 WATTS, 17" LENGTH, 230 V.	NLA	—
SL25-20E	DEFROST HEATERS, CORE, 900 WATTS, 24" LENGTH, 115 V.	NLA	—
	DEFROST HEATERS, CORE, 900 WATTS, 24" LENGTH, 230 V.	NLA	—
SL35-26E	DEFROST HEATERS, CORE, 1300 WATTS, 33" LENGTH, 115 V.	NLA	—
	DEFROST HEATERS, CORE, 1300 WATTS, 33" LENGTH, 230 V.	NLA	—
SL45-33E	DEFROST HEATERS, CORE, 1600 WATTS, 41" LENGTH, 115 V.	NLA	—
	DEFROST HEATERS, CORE, 1600 WATTS, 41" LENGTH, 230 V.	NLA	—
SL55-44E	DEFROST HEATERS, CORE, 2100 WATTS, 56" LENGTH, 115 V.	NLA	—
	DEFROST HEATERS, CORE, 2100 WATTS, 56" LENGTH, 230 V.	NLA	—
SL35-58E	DEFROST HEATERS, CORE, 2200 WATTS, 56" LENGTH, 230 V.	200172027	338
SL35-70E	DEFROST HEATERS, CORE, 1220 WATTS, 30 LENGTH, 230 V. (1 REQ'D)	200172023	318
	DEFROST HEATERS, CORE, 1760 WATTS, 42 LENGTH, 230 V. (1 REQ'D)	205221007	369
SL45-87E	DEFROST HEATERS, CORE, 1300 WATTS, 39 LENGTH, 230 V. (1 REQ'D)	205221013	285
	DEFROST HEATERS, CORE, 1970 WATTS, 48 LENGTH, 230 V. (1 REQ'D)	200172026	306
SL17-10, SL15-9E	DRAIN PAN	NLA	—
SL17-13, SL15-11E	DRAIN PAN	NLA	—
SL27-17, SL25-15E	DRAIN PAN	NLA	—
SL27-23, SL25-20E	DRAIN PAN	NLA	—
SL37-30, SL35-26E	DRAIN PAN	NLA	—
SL47-37, SL45-33E	DRAIN PAN	NLA	—
SL57-50, SL55-44E	DRAIN PAN	NLA	—
SL35-58E	DRAIN PAN	NLA	—
SL35-70E	DRAIN PAN	NLA	—
SL45-87E	DRAIN PAN	NLA	—
SL15-9(E) THRU SL55-44(E)	FAN BLADES, 6" DIAM., 21° PITCH, CW , 1/4" BORE, PLASTIC	105849001	54
SL35-58(E), SL35-70(E), SL45-87(E)	FAN BLADES, 10" DIAM., 31° PITCH, CCW , HUBLESS, 1/4" BORE	204395018	49
SL15-9(E) THRU SL55-44(E)	FAN GUARD, PLASTIC, 6"	205932000	84
SL35-58(E), SL35-70(E), SL45-87(E)	FAN GUARD, WIRE, EPOXY COATED, 10", (WHITE)	08397053	92
SL15-9(E) THRU SL55-44(E)	MOTOR, SKELETON FRAME, SHADED POLE, 43 WATT INPUT, 3000 RPM, 115 V.	102249005	154
	MOTOR, SKELETON FRAME, SHADED POLE, 43 WATT INPUT, 3000 RPM, 230 V.	102249007	154
SL35-58(E), SL35-70(E), SL45-87(E)	MOTOR, SHADED POLE, 16 WATT, 1550 RPM, 115 V.	103104007	181
	MOTOR, SHADED POLE, 16 WATT, 1550 RPM, 230 V.	103104008	181
SL15-9(E) THRU SL55-44(E)	MOTOR MOUNT, 43 WATT	12003600	45
SL35-58(E), SL35-70(E), SL45-87(E)	MOTOR MOUNT, 16 WATT	10243000	92

NLA - NO LONGER AVAILABLE



### SLIM TEMP - MODELS SLA

MODEL NUMBER	DESCRIPTION	PART NUMBER	LIST PRICE
SLA 17-10	DRAIN PAN (VENTURI)	20997400	\$167
SLA 17-13	DRAIN PAN (VENTURI)	20997600	184
SLA27-17	DRAIN PAN (VENTURI)	20997800	216
SLA27-23	DRAIN PAN (VENTURI)	20996600	254
SLA 37-30	DRAIN PAN (VENTURI)	20996800	301
SLA 47-40	DRAIN PAN (VENTURI)	20997000	332
SLA 57-50	DRAIN PAN (VENTURI)	20997200	411
ALL MODELS	FAN BLADES, 6" DIAM., 21° PITCH, CW, PLASTIC	105849001	54
ALL MODELS	FAN GUARD, PLASTIC,(CLEAR), 6"	205932000	84
ALL MODELS	MOTOR, SKELETON FRAME, SHADED POLE, 43 WATT INPUT, 3000 RPM, 115 V.	102249005	154
ALL MODELS	MOTOR, SKELETON FRAME, SHADED POLE, 43 WATT INPUT, 3000 RPM, 230 V.	102249007	154
ALL MODELS	MOTOR MOUNT	12003600	45

### SLIM TEMP - MODELS SLE

ALL "SLE" MODELS	DEFROST CONTROL, DEFROST TERMINATION, (TIMER RESET) 2 WIRE	103079010	\$127
ALL "SLE" MODELS	DEFROST CONTROL, FAN DELAY, 2 WIRE	103079009	127
SLE 15-9	DEFROST HEATER, 400 WATTS, 10-1/4" LENGTH, 115V.	220150001	215
	DEFROST HEATER, 400 WATTS, 10-1/4" LENGTH, 230V.	220150031	246
	DRAIN PAN	20997400	167
SLE 15-12	DEFROST HEATER, 500 WATTS, 14-1/4" LENGTH, 115V.	220150002	216
	DEFROST HEATER, 500 WATTS, 14-1/4" LENGTH, 230V.	220150032	250
	DRAIN PAN	20997600	184
SLE 25-16	DEFROST HEATER, 700 WATTS, 17-3/4" LENGTH, 115V.	220150003	249
	DEFROST HEATER, 700 WATTS, 17-3/4" LENGTH, 230V.	220150033	238
	DRAIN PAN	20997800	216
SLE 25-21	DEFROST HEATER, 700 WATTS, 17-3/4" LENGTH, 115V.	220150003	249
	DEFROST HEATER, 700 WATTS, 17-3/4" LENGTH, 230V.	220150033	238
	DRAIN PAN	20998000	254
SLE 25-28	DEFROST HEATER, 900 WATTS, 25-1/4" LENGTH, 115V.	220150004	275
	DEFROST HEATER, 900 WATTS, 25-1/4" LENGTH, 230V.	220150034	329
	DRAIN PAN	20998200	312
SLE 35-36	DEFROST HEATER, 1200 WATTS, 32-1/4" LENGTH, 115V.	220150005	305
	DEFROST HEATER, 1200 WATTS, 32-1/4" LENGTH, 230V.	220150035	357
	DRAIN PAN	20998400	346
SLE 45-54	DEFROST HEATER, 1500 WATTS, 42" LENGTH, 115V.	220150006	387
	DEFROST HEATER, 1500 WATTS, 42" LENGTH, 230V.	220150036	392
	DRAIN PAN	20998600	428
SLE 35-70	DEFROST HEATER, 2300 WATTS, 69-1/4" LENGTH, 230V.	220150037	439
	DRAIN PAN	20998800	473
SLE 15-9 THRU 25-16	FAN BLADES, 6" DIAM., 21° PITCH, CW, PLASTIC	105849001	54
	FAN GUARD, PLASTIC,(CLEAR), 6"	205932000	84
SLE 25-21 THRU 45-54	FAN BLADES, 8" DIAM., 31° PITCH, CCW	204395010	45
	FAN GUARD, PLASTIC,(CLEAR), 8"	206569000	86
SLE 35-70	FAN BLADES, 10" DIAM., 31° PITCH, CCW	204395018	49
	FAN GUARD, WIRE, EPOXY COATED, 10" (WHITE)	8397053	92
SLE 15-9 THRU 25-16	MOTOR, SKELETON FRAME, SHADED POLE, 43 WATT INPUT, 3000 RPM, 115 V.	102249005	154
	MOTOR, SKELETON FRAME, SHADED POLE, 43 WATT INPUT, 3000 RPM, 230 V.	102249007	154
SLE 25-21 THRU 45-54	MOTOR, SKELETON FRAME, SHADED POLE, 9 WATT, 1550 RPM, 115 V.	103104004	152
	MOTOR, SKELETON FRAME, SHADED POLE, 9 WATT, 1550 RPM, 230 V.	103104005	152
	MOTOR, <b>ECM</b> , 16W, 1550 RPM, 115V	107933006	641
	MOTOR, <b>ECM</b> , 16W, 1550 RPM, 230V	107933003	665
SLE 35-70	MOTOR, SKELETON FRAME, SHADED POLE, 16 WATT, 1550 RPM, 115 V.	103104007	181
	MOTOR, SKELETON FRAME, SHADED POLE, 16 WATT, 1550 RPM, 230 V.	103104008	181
SLE 15-9 THRU 25-16	MOTOR MOUNT	12003600	45
SLE 25-21 THRU 45-54	MOTOR MOUNT	12003000	49
SLE 35-70	MOTOR MOUNT	10243000	92

### SLIM TEMP - SPECIAL SLB

SLB- ALL MODELS	SERPENTINE HEATER, 1400WATTS, 230V	NLA	—
-----------------	------------------------------------	-----	---

NLA - NO LONGER AVAILABLE

## T TEMP - MODELS TT

MODEL NUMBER	DESCRIPTION	PART NUMBER	LIST PRICE
TT18-8	DRAIN PAN (VENTURI)	20316400	\$167
TT28-13	DRAIN PAN (VENTURI)	20316501	184
TT28-17	DRAIN PAN (VENTURI)	20316502	216
ALL "TT" MODELS	FAN BLADES, 6" DIAM., 21° PITCH, CW , 1/4" BORE, PLASTIC	105849001	54
ALL "TT" MODELS	FAN GUARD, PLASTIC,(CLEAR), 6"	205932000	84
ALL "TT" MODELS	MOTOR, SKELETON FRAME, SHADED POLE, 43 WATT INPUT, 3000 RPM, 115 V.	102249005	154
ALL "TT" MODELS	MOTOR, SKELETON FRAME, SHADED POLE, 43 WATT INPUT, 3000 RPM, 230 V.	102249007	154
ALL "TT" MODELS	MOTOR MOUNT	12003600	45

## TWIN TEMP - MODELS TW

TW17-9, TW17-12, TW17-18	DRAIN PAN (VENTURI)	20870100	\$148
TW17-25, TW17-35	DRAIN PAN (VENTURI)	20873500	148
TW17-45, TW17-55, TW18-65	DRAIN PAN (VENTURI)	20874600	285
TW17-75, 18-85, TW17-105, TW18-120	DRAIN PAN (VENTURI)	10574400	305
TW17-150,180	DRAIN PAN (VENTURI)	NLA	—
TW17-9	FAN BLADES, 8" DIAM., 20° PITCH, CCW, HUBLESS	204395008	45
TW17-12, TW17-18	FAN BLADES, 8" DIAM., 31° PITCH, CCW , HUBLESS	204395010	45
TW17-25, TW17-35	FAN BLADES, 10" DIAM., 20° PITCH, CW , HUBLESS	204395015	49
TW17-45	FAN BLADES, 12" DIAM., 18° PITCH, CCW , 5/16" BORE	214118000	148
TW17-55	FAN BLADES, 12" DIAM., 23° PITCH, CCW , 5/16" BORE	08221169	71
TW18-65	FAN BLADES, 12" DIAM., 23° PITCH, CCW , 5/16" BORE	08221169	71
TW17-75, TW18-85, TW17-105, TW18-120	FAN BLADES, 16" DIAM., 16° PITCH, CCW , 1/2" BORE	11904	200
TW17-150, TW27-300	FAN BLADES, 18" DIAM., 18° PITCH, CCW , 1/2" BORE	NLA	—
TW17-180	FAN BLADES, 18" DIAM., 18° PITCH, CCW , 1/2" BORE	NLA	—
TW27-240	FAN BLADES, 16" DIAM., 23° PITCH, CCW , 1/2" BORE	NLA	—
TW17-9, TW17-12, TW17-18	FAN GUARD, PLASTIC, 8"	206569000	86
TW17-25, TW17-35	FAN GUARD, WIRE, EPOXY COATED , 10", (WHITE)	08397053	92
TW17-45, TW17-55, TW18-65	FAN GUARD, WIRE, EPOXY COATED , 12"	201006011	92
TW17-75, TW18-85, TW17-105, TW18-120, TW27-240	FAN GUARD, WIRE, EPOXY COATED , 16"	201006004	124
TW17-150 THRU TW27-300	FAN GUARD, WIRE, EPOXY COATED , 18"	NLA	—
TW17-9, TW17-12	MOTOR, SHADED POLE, 4 WATT,1550 RPM, 115 V. (USE 103104004)	NLA	—
	EVAP MTR, <b>ECM</b> , 16 W, 1550 RPM, 115v	107933006	641
TW17-18, TW17-25, TW17-35	MOTOR, SHADED POLE, 9 WATT, 1550 RPM, 115 V.	103104004	152
	MOTOR, SHADED POLE, 9 WATT, 1550 RPM, 230 V.	103104005	152
	MOTOR, <b>ECM</b> , 16 WATT, 1550 RPM, 115V	107933006	641
	MOTOR, <b>ECM</b> , 16 WATT, 1550 RPM, 208-230V	107933003	665
TW17-45, TW17-55, TW18-65	MOTOR, SHADED POLE, 1/20 HP, 1550 RPM, 115 V.	08216072	197
	MOTOR, SHADED POLE, 1/20 HP, 1550 RPM, 230 V.	08216071	213
	MOTOR, <b>ECM</b> , 1/30 HP, 1550 RPM, 115V	08216126	749
	MOTOR, <b>ECM</b> , 1/30 HP, 1550 RPM, 230V	08216127	782
TW17-75, TW18-85, TW17-105, TW18-120, TW27-240	MOTOR, SHADED POLE KIT, 1/12 HP, 1050 RPM, 115 V.	08216119	NLA
	SHADED POLE MOTOR ASSY, 1/12 HP, 115-230V	08522774	743
TW17-150, TW17-180, TW27-300	MOTOR, SHADED POLE, 1/6 HP, 1050 RPM, 115/230/1 V.	NLA	—
TW17-9, TW17-12	MOTOR MOUNT (SPECIFY UNIT MODEL AND SERIAL NUMBERS WHEN ORDERING)	NLA	—
TW17-18	MOTOR MOUNT (SPECIFY UNIT MODEL AND SERIAL NUMBERS WHEN ORDERING)	10870202	641
TW17-25	MOTOR MOUNT (SPECIFY UNIT MODEL AND SERIAL NUMBERS WHEN ORDERING)	10873801	665
TW17-35	MOTOR MOUNT (SPECIFY UNIT MODEL AND SERIAL NUMBERS WHEN ORDERING)	10873802	70
TW17-45	MOTOR MOUNT (SPECIFY UNIT MODEL AND SERIAL NUMBERS WHEN ORDERING)	10874700	40
TW17-55, TW18-65	MOTOR MOUNT (SPECIFY UNIT MODEL AND SERIAL NUMBERS WHEN ORDERING)	10874800	121
TW17-75 THRU TW17-180	MOTOR MOUNT (SPECIFY UNIT MODEL AND SERIAL NUMBERS WHEN ORDERING)	10019700	142
TW27-210 THRU TW27-240	MOTOR MOUNT (SPECIFY UNIT MODEL AND SERIAL NUMBERS WHEN ORDERING)	10101200	NLA
TW27-300	MOTOR MOUNT (SPECIFY UNIT MODEL AND SERIAL NUMBERS WHEN ORDERING)	10575000	NLA

NLA - NO LONGER AVAILABLE

## WALL TEMP - MODELS WA

MODEL NUMBER	DESCRIPTION	PART NUMBER	LIST PRICE
WA17-6	DRAIN PAN (VENTURI)	105633001	\$147
	FAN BLADES, 8" DIAM., 20° PITCH, CCW , HUBLESS	204395008	45
	FAN GUARD, PLASTIC, 8"	206569000	86
	MOTOR, SHADED POLE, 4 WATT,1550 RPM, 115 V. (USE 103104004)	NLA	—
	MOTOR, <b>ECM</b> , 16 WATT, 1550 RPM, 115V	107933006	641
WA17-9	DRAIN PAN (VENTURI)	105633001	147
	FAN BLADES, 8" DIAM., 20° PITCH, CCW , HUBLESS	204395008	45
	FAN GUARD, PLASTIC, 8"	206569000	86
WA17-12, WA17-18	DRAIN PAN (VENTURI)	105633002	147
	FAN BLADES, 8" DIAM., 31° PITCH, CCW , HUBLESS	204395010	45
	FAN GUARD, PLASTIC, 8"	206569000	86
<b>MOTORS:</b> WA17-9, WA17-12, WA17-18	MOTOR, SHADED POLE, 9 WATT, 1550 RPM, 115 V.	103104004	152
	MOTOR, SHADED POLE, 9 WATT, 1550 RPM, 230 V.	103104005	152
	MOTOR, <b>ECM</b> , 16 WATT, 1550 RPM, 115V	107933006	641
	MOTOR, <b>ECM</b> , 16 WATT, 1550 RPM, 208-230V	107933003	665
WA17-25, WA17-35	DRAIN PAN (VENTURI)	20192600	172
	FAN BLADES, 10" DIAM., 20° PITCH, CCW , 5/16" BORE	204395016	49
	FAN GUARD, WIRE, EPOXY COATED, 10", (WHITE)	08397053	92
	MOTOR, SHADED POLE, 1/20 HP, 1550 RPM, 115 V.	08216072	197
	MOTOR, SHADED POLE, 1/20 HP, 1550 RPM, 230 V.	08216071	213
	MOTOR, <b>ECM</b> , 1/30 HP, 1550 RPM, 115V	08216126	749
	MOTOR, <b>ECM</b> , 1/30 HP, 1550 RPM, 230V	08216127	782
WA17-45	DRAIN PAN (VENTURI)	105633004	172
	FAN BLADES, 12" DIAM., 23° PITCH, CCW , 1/2" BORE	11860	148
	FAN GUARD, WIRE, EPOXY COATED, BLUE, 12"	201006011	92
	MOTOR ASSY., 1/12 HP, 115/230 V.	08522774	768
	MOTOR, SHADED POLE, 1/12 HP, 1050 RPM, 115/230 V.	08286119	553

## WEDGE TEMP - MODELS WE

WE17-12	DRAIN PAN (VENTURI)	20193200	\$285
	FAN BLADES, 8" DIAM., 31° PITCH, CCW , HUBLESS	204395010	45
	FAN GUARD, PLASTIC, 8"	206569000	86
	MOTOR, SHADED POLE, 4 WATT,1550 RPM, 115 V. (USE 103104004)	NLA	—
WE17-15	DRAIN PAN (VENTURI)	20193200	285
	FAN BLADES, 8" DIAM., 31° PITCH, CCW , HUBLESS	204395010	45
	FAN GUARD, PLASTIC, 8"	206569000	86
	MOTOR, SHADED POLE, 9 WATT, 1550 RPM, 115 V.	103104004	152
	MOTOR, SHADED POLE, 9 WATT, 1550 RPM, 230 V.	103104005	152
WE17-18	DRAIN PAN (VENTURI)	20193000	285
	FAN BLADES, 8" DIAM., 31° PITCH, CCW , HUBLESS	204395010	45
	FAN GUARD, PLASTIC, 8"	206569000	86
	MOTOR, SHADED POLE, 9 WATT, 1550 RPM, 115 V.	103104004	152
WE17-25	MOTOR, SHADED POLE, 9 WATT, 1550 RPM, 230 V.	103104005	152
	DRAIN PAN (VENTURI)	105633003	323
	FAN BLADES, 10" DIAM., 20° PITCH, CCW, HUBLESS	204395016	49
	FAN GUARD, WIRE, EPOXY COATED, 10"	08397053	92
	MOTOR, SHADED POLE, 9 WATT, 1550 RPM, 115 V.	103104004	152
WE17-35	MOTOR, SHADED POLE, 9 WATT, 1550 RPM, 230 V.	20192600	152
	DRAIN PAN (VENTURI)	20192400	323
	FAN BLADES, 10" DIAM., 31° PITCH, CCW , HUBLESS	204395018	49
	FAN GUARD, WIRE, EPOXY COATED, 10"	08397053	92
	MOTOR, SHADED POLE, 16 WATT, 1550 RPM, 115 V.	103104007	181
<b>EC MOTORS:</b> WE17-12, -15,-18, -25, -35	MOTOR, SHADED POLE, 16 WATT, 1550 RPM, 230 V.	103104008	181
	MOTOR, <b>ECM</b> , 16 WATT, 1550 RPM, 115V	107933006	641
WE17-45, WE18-55	MOTOR, <b>ECM</b> , 16 WATT, 1550 RPM, 208-230V	107933003	665
	DRAIN PAN (VENTURI)	20194000	346
	FAN BLADES, 12" DIAM., 23° PITCH, CCW , 5/16" BORE	08221169	71
	FAN GUARD, WIRE, EPOXY COATED, 12"	201006011	92
	MOTOR, SHADED POLE, 1/20 HP, 1550 RPM, 115 V.	08216072	197
	MOTOR, SHADED POLE, 1/20 HP, 1550 RPM, 230 V.	08216071	213
	MOTOR, <b>ECM</b> , 1/30 HP, 1550 RPM, 115V	08216126	749
MOTOR, <b>ECM</b> , 1/30 HP, 1550 RPM, 230v	08216127	782	

**NOTE: CHECK "CS" FOR STYLE OF 1/20 HP MOTOR FOR WE-17-45, 18-55, AND 28-110**

WE28-110	DRAIN PAN / VENTURI (220061 OR 220061BLK)	NLA	—
	FAN BLADES, 12" DIAM., 19° PITCH, CCW , 5/16" BORE	11860	\$148
	FAN GUARD, WIRE, EPOXY COATED, 12"	201006011	92
	MOTOR, SHADED POLE, 1/20 HP, 1550 RPM, 115 V.	102540001	197
	MOTOR, SHADED POLE, 1/20 HP, 1550 RPM, 230 V.	102540002	213

NLA - NO LONGER AVAILABLE

**MULTICON AIR COOLED CONDENSERS - Common Parts**

MODEL NUMBER	DESCRIPTION	PART NUMBER	LIST PRICE
COMMON PARTS	Disconnect, thru the door, 30A	08218990	\$526
	Disconnect, thru the door, 60A	08218991	627
	Disconnect, thru the door, 80A	08218992	829
	Disconnect, thru the door, 100A	08218993	888
	Disconnect, thru the door, 30A, 18" 22" fans	08218379	415
	Contactora, 3P, 25-30A, 24V control	08219028	90
	Contactora, 3P, 25-30A, 115V control	08219002	90
	Contactora, 3P, 25-30A, 208-230V control	08219018	97
	Contactora, 3P, 25-30A, 460V control	08219012	100
	Contactora, NEMA1,3P,27A,208-230V control	104461733	667
	Fan Cycling, Pressure, Standard, R12,R22,R404A,R134A	08219003	362
	Fan Cycling, Ambient, Standard, R12,R22,R404A,R134A	08219006	161
	Fan Cycling, Pressure, R410A	08219463	402
	P66, Single Tap, R22/R404	08219427	1,065
	P66, Dual Tap, R22/R404	08219429	1,668
	P66, Single Tap, R134A	08219437	946
	P66, Single Tap,R410A	08219461	1,479
	P66,Dual Tap, R410A	08219462	2,056
Shut Off Valve (P66 and Pressure cycling)	08356559	168	

**SMALL AIR COOLED CONDENSERS - MODELS RDS**

MODEL NUMBER	DESCRIPTION	PART NUMBER	LIST PRICE
Models 001 thru 011	MOTOR, .33 HP, 1140RPM, 208-230/3/60/50	08216106	\$482
	MOTOR, PSC, .33 HP, 1140RPM, 208-230/1/60/50	205051004	377
	5 MFD CAPACITOR FOR MOTOR 205051004	202163004	44
	FAN BLADE, 22" DIA., 28° PITCH, 5/8" bore.	08221154	124
	MOTOR, PSC, .33 HP, 1140 RPM, 208-230/1/60/50 for use with P-66	08216008	597
	15 MFD CAPACITOR FOR MOTOR 08216008	08352607	47
	MOTOR, .33 HP, 1140 RPM, 460/3/60/50	08216107	800
	MOTOR, PSC, .33 HP, 1140 RPM, 460/1/60/50 for use with P-66	08216009	614
	15 MFD CAPACITOR FOR MOTOR 08216009	08352607	47
	MOTOR, .25 HP, 850 RPM, 208-230/460/3/60/50	08216075	1,129
	MOTOR, PSC, .25 HP, 850 RPM, 208-230/1/60/50 (Cap. On motor)	08216076	956
	MOTOR, TOTALLY ENCL., 1/2 HP, 1140 RPM, 208-230/460/3/60/50	08352607	47
	MOTOR, PSC, TOT. ENCL., 1/2 HP, 1140 RPM, 208-230//460/1/60/50	08216081	905
	MOTOR MOUNT FOR .33 HP MOTORS	08397056	192
	MOTOR MOUNT FOR .25 HP MOTOR 08216075 & 08216046 WITH 22" FAN	08519019	192
	MOTOR MOUNT FOR .25 HP MOTOR 08216075 & 08216046 WITH 18" FAN	08519022	192
	FAN GUARD, 18" DIAM., EPOXY COATED WIRE.	08397011	118
	FAN GUARD, 22" DIAM., EPOXY COATED WIRE.	08397012	141
MODELS 001 & 002	FAN BLADE, 18" DIAM., 34° PITCH, CW, 5/8" BORE (for 1140 RPM MTRS)	08221022	126
MODELS 003 thru 011	FAN BLADE, 22" DIAM., 28° PITCH, 1/2" BORE (for 1140 RPM MTRS)	08221154	124
MODELS 001 & 002	FAN BLADE, 18" DIAM., 34° PITCH, CW, 1/28" BORE (for 850 RPM MTRS)	08221076	122
MODELS 003 thru 009	FAN BLADE, 22" DIAM., 28° PITCH, 5/8" BORE. (for 850 RPM MTRS)	08221023	124

**LARGE AIR COOLED CONDENSERS - MODELS RDS/RDD**

MODEL NUMBER	DESCRIPTION	PART NUMBER	LIST PRICE
1140 RPM MODELS RDS009 THRU RDD229	MOTOR, 1.5 HP, 1140 RPM, 208-230/460/3/60/50	110204000	\$1,553
	MOTOR, 1.5 HP, 1140 RPM, 575/3/60	118570001	2,317
	MOTOR, TOTALLY ENCLOSED, 1.5 HP, 1140 RPM, 208/230/3/60/50	08216154	2,602
	FAN BLADE, 30" DIAM., 24° PITCH, 4 BLADE, CW, 5/8 BORE	08221151	485
	MOTOR, 1.0 HP, 1140 RPM, 208-230/1/60/50 (USE WITH P-66 CONTROLLER)	08216098	2,163
	30 MFD CAPACITOR FOR MOTOR 08216098 (USE WITH P-66 CONT)	08352555	69
	FAN BLADE, 30" DIAM., 21° PITCH, 3 BLADE, CW, 5/8 BORE (USE WITH P-66)	08221180	401
	MOUNT FOR 1140 RPM MOTORS ABOVE	08522568	429
FAN GUARD, 30" DIAM., EPOXY COATED WIRE.	08221151	485	
850 RPM MODELS RDS009 THRU RDD213	MOTOR, 1.5 HP, 850 RPM, 208-230/460/3/60/50	08216100	2,163
	FAN BLADE, 30" DIAM., 31° PITCH, 5 BLADE, CW, 5/8 BORE (use with 08216100)	08221152	268
	MOTOR, 1.0 HP, 850 RPM, 208-230/460/3/60/50	114105000	2,163
	MOTOR, 1.0 HP, 850 RPM, 575/3/60	114105002	2,642
	MOTOR, 1.0 HP, 850 RPM, 380/3/60	114105001	2,272
	FAN BLADE, 30" DIAM., 28° PITCH, 4 BLADE, CW, 5/8 BORE (for 1 HP's above)	08221151	485
	MOUNT FOR 850 RPM MOTORS ABOVE	08522568	429
FAN GUARD, 30" DIAM., EPOXY COATED WIRE.	08397044	199	
550 RPM MODELS RDS008 THRU RDD158	MOTOR, 1/3 HP, 550 RPM, 208-230/460/3/60/50	119226000	1,198
	METAL FAN BLADE, 30" DIAM., 31° PITCH, 5 BLADE, CW, 5/8 BORE	08221152	268
	SWEPT WING FAN, 30" DIAM., 25° PITCH, CW, 1/2 BORE	08221181	485
	FAN BLADE, 30" FB II	121424000	682
	MOUNT FOR 550 RPM MOTORS ABOVE	08522568	429
	FAN GUARD, 30" DIAM., EPOXY COATED WIRE. (Not for FB II)	08397044	199
	FAN GUARD, 30" DIAM. FOR FB II FANS	119397000	129
SHEET METAL STACK FOR FB II FANS	08518318	199	
VSEC MODELS RDS011 THRU 250	ELECTRONICALLY COMMUTATED MOTOR & FAN ASSEMBLY, 460/3/60	08216161	7,968
	ELECTRONICALLY COMMUTATED MOTOR & FAN ASSEMBLY, 208-230/3/60	C/F	C/F

**MULTICON AIR COOLED CONDENSERS - MODELS VAC, VEQ (1 - 4)**

MODEL NUMBER	DESCRIPTION	PART NUMBER	LIST PRICE
VAC 1 - 2 & VEQ 1 - 2	FAN BLADES, 16" DIAM., 34° PITCH, CW, 5/8" BORE	08221022	\$126
VAC 4 & VEQ 3	FAN BLADES, 22" DIAM., 28° PITCH, CW, 5/8" BORE	08221023	124
VAC 1 - 2 & VEQ 1 - 2	FAN GUARD, WIRE, EPOXY COATED, 16"	08397006	95
VAC 4 & VEQ 3	FAN GUARD, WIRE, EPOXY COATED, 22"	08397012	141
VAC 1 - 4	MOTOR, SHADED POLE, 1/2 HP, 1140 RPM, 208-230/460/1	08216006	726
VAC 1 - 4	MOTOR, SHADED POLE, 1/2 HP, 1140 RPM, 208-230/460/3	08216007	1,273
VEQ 1 & 3	MOTOR, SHADED POLE, 1/4 HP, 825 RPM, 208-230/460/1	08216076	956
VEQ 2 & 3	MOTOR, SHADED POLE, 1/4 HP, 825 RPM, 208-230/460/3	08216075	1,129

**MULTICON AIR COOLED CONDENSERS AND FLUID COOLERS - MODELS VAC, VEQ, FVAC**

VAC, AND FVAC 5 THRU 19	FAN BLADES, 24" DIAM., 30° PITCH, CW, 1/2" BORE	213455000	\$305
	FAN GUARD, WIRE, EPOXY COATED, 24"	202136001	448
	MOTOR, PSC, 3/4 HP, 1075RPM, 208-230/60/1	205051009	993
	MOTOR, PSC, 3/4 HP, 1075RPM, 460/1/60	205051002	1,068
	MOTOR, 3/4 HP, 1140 RPM, 230/460/3/60	205051012	1,591
	MOTOR, PSC, 1/2 HP, 1075RPM, 575/1/60	115952000	875
	MOTOR MOUNT, 24"	205269000	215
	CAPACITOR, 7.5 MFD, 208/1/60 MOTORS ONLY	202163006	47
VAC AND FVAC 22 THRU 216	CAPACITOR, 5 MFD, 230/460/1/60 MOTORS ONLY	202163007	44
	FAN BLADES, 30" DIAM., 24° PITCH, CW, 5/8" BORE	210385000	485
	FAN GUARD, WIRE, EPOXY COATED, 30"	202136011	199
	MOTOR, 1-1/2 HP, 1140 RPM, 208-230/460/3/60	110204000	1,553
	MOTOR, 1-1/2 HP, 1140 RPM, 575/3/60	118570001	2,317
	MOTOR MOUNT, 30"	125215001	429
VEQ 21 thru VEQ 189	FAN BLADES, 30" DIAM., 24° PITCH, CW, 5/8" BORE	210385000	485
	FAN GUARD, WIRE, EPOXY COATED, BLACK, 30"	202136011	199
	MOTOR, 1 HP, 850 RPM, 208-230/460/3/60	114105000	2,163
	MOTOR MOUNT, 30"	125215001	429

**AIR COOLED CONDENSERS, ACE**

ALL MODELS	MOTOR, 1/3 HP, 550 RPM, 208-230/460/3/60/50	119226000	\$1,198
	METAL FAN BLADE, 30" DIAM., 31° PITCH, 5 BLADE, CW, 5/8 BORE	08221152	268
	SWEPT WING FAN, 30" DIAM., 25° PITCH, CW, 1/2 BORE	08221181	485
	FAN BLADE, 30" FB II	121424000	682
	MOUNT FOR 550 RPM MOTORS ABOVE	08522568	429
	FAN GUARD, 30" DIAM., EPOXY COATED WIRE. (Not for FB II)	08397044	199
	FAN GUARD, 30" DIAM. FOR FB II FANS	119397000	129
	SHEET METAL STACK FOR FB II FANS	08518318	199

**MULTICON AIR COOLED CONDENSERS AND FLUID COOLERS - MODELS RAC, FRAC**

RAC, & FRAC 3/4 TO 1	FAN BLADES, 16" DIAM., 27° PITCH, CW, 1/2" BORE	11905	\$184
RAC & FRAC 1-1/2 THRU 3	FAN BLADES, 20" DIAM., 27° PITCH, CW, 1/2" BORE	214040000	267
RAC & FRAC 3/4 TO 1	FAN GUARD, WIRE, EPOXY COATED, 16"	201006004	124
RAC & FRAC 1-1/2 TO 3	FAN GUARD, WIRE, EPOXY COATED, 20"	201006007	219
ALL MODELS	MOTOR, SHADED POLE, 1/6 HP, 1050 RPM, 115/208-230/1	08216025	NLA

**MULTICON AIR COOLED CONDENSERS AND FLUID COOLERS - MODELS TD, FTD**

ALL MODELS	CAPACITOR, ALL MOTORS, 5 MFD, 208-230/460/1/60	202163004	\$44
ALL MODELS	FAN BLADES, 24" DIAM., 30° PITCH, CW, 1/2" BORE	213455000	305
ALL MODELS	FAN GUARD, WIRE, EPOXY COATED, 24"	202136001	448
ALL MODELS	MOTOR, PSC, 3/4 HP, 1075RPM, 208-230/1/60	205051009	993
ALL MODELS	MOTOR, PSC, 3/4 HP, 1075RPM, 460/1/60	205051002	1,068
ALL MODELS	MOTOR MOUNT, 24"	205269000	215

**SMALL AIR COOLED CONDENSERS - MODELS ACS, ACL**

ALL MODELS	FAN BLADES, 22" DIAM., 29° PITCH, CW, 1/2" BORE	08221154	\$124
	FAN CYCLING CONTROL, PRESSURE	08219003	362
	FAN CYCLING CONTROL, AMBIENT	08219006	161
	P-66 FAN SPEED CONTROL, SINGLE PORT	08219427	1,065
	P-66 FAN SPEED CONTROL, DUAL PORT	08219429	1,668
	P-66 FAN SPEED CONTROL	08219437	946
	CONTACTOR, 24 VOLT COIL, 3 POLE	08219028	90
	CONTACTOR, 115 VOLT COIL, 3 POLE	08219002	90
	CONTACTOR, 208-230 VOLT COIL, 3 POLE	08219018	97
	CONTACTOR, 460 VOLT COIL, 3 POLE	08219012	100
	TRANSFORMER, 208-230 TO 24V	08218258	63
	TRANSFORMER, 480 TO 24V	08218259	66
	MOTOR MOUNT, 22"	08397056	192
	ACS 001 THRU 012	MOTOR, PSC, 1/3 HP, 208-230/1, 1075 RPM, CW††	08216089
MOTOR, PSC, 1/3 HP, 208-230/3, 1075 RPM, CW††		08216106	482
MOTOR, PSC, 1/3 HP, 460/1, 1075 RPM, CW††		08216088	556
MOTOR, PSC, 1/3 HP, 460/3, 1075 RPM, CW††		08216107	800
MOTOR, PSC, 1/2 HP, 230-460/3, 1075 RPM, CW††		08216068	1,082
MOTOR, PSC, 1/2 HP, 575/1, 1075 RPM, CW††		08216036	854
ACS 001 THRU 012	CAPACITOR(LOOSE) 208-230 OR 460 MOTORS, 7.5 MFD	08216057	28
	MOTOR, PSC, 1/2 HP, 208-230/460/1, 1075 RPM†	08216006	726
ACL 001 THRU 011	MOTOR, REV, 1/2 HP, 208-230/460/3, 1125 RPM, 5/8 SHAFT†	08216007	1,273
	MOTOR, REV, 1/4 HP, 208-230/460/3, 825 RPM, 5/8 SHAFT†	08216075	1,129
ACS, ACL 001 THRU 002	MOTOR, PSC, 1/4 HP, 208-230/460/1, 825 RPM, 5/8 SHAFT†	08216076	956
	FAN GUARD, WIRE, EPOXY COATED, 18"	08397011	118
ACS, ACL 003 THRU 012	MOTOR RAIL 25" (18" FAN)	08519022	192
	FAN GUARD, WIRE, EPOXY COATED, 22"	08397012	141
	MOTOR RAIL 30" (22" FAN)	08519019	192

† FOR USE WITH P-66 FAN SPEED CONTROL MOTOR ONLY

‡ CAPACITOR REQUIRED

**MULTICON COMPUTER ROOM AIR COOLED CONDENSER - MODELS CAC**

MODEL NUMBER	DESCRIPTION	PART NUMBER	LIST PRICE
CAC 5 THRU CAC 80	FAN BLADES, 24" DIAM., 30° PITCH, CW, 1/2" BORE	213455000	\$305
	FAN GUARD, WIRE, EPOXY COATED, 24", BLACK	202136005	448
	MOTOR, (HEADER END <b>VARI-SPEED</b> ), PSC, 3/4 HP, 1075RPM, 208-230/60/1	205051015	1,186
	CAPACITOR,15 MFD, ( <b>FOR 208/230/1/60 VARI-SPEED MOTOR</b> )	08352607	47
	MOTOR, ( <b>NON-HEADER END</b> ), PSC, 3/4 HP, 1075 RPM, <b>208-230/60/1</b>	205051009	993
	CAPACITOR, 5 MFD, 230/460/1/60 <b>NON VARI-SPEED</b> MOTORS ONLY	202163004	44
	MOTOR, (HEADER END <b>VARI-SPEED</b> ), PSC, 3/4 HP, 1075 RPM, <b>460/60/1</b> (CAP not included)	205051016	1,284
	CAPACITOR,15 MFD, ( <b>FOR 460/1/60 VARI-SPEED MOTOR</b> )	08352607	47
	MOTOR, ( <b>NON-HEADER END</b> ), PSC, 3/4 HP, 1075 RPM, <b>460/60/1</b> (CAP not included)	205051002	1,068
	CAPACITOR, 5 MFD, 230/460/1/60 <b>NON VARI-SPEED</b> MOTORS ONLY	202163004	44
MOTOR MOUNT, 24", ALL CAC MODELS	205269000	215	
CBC 27 THRU CBC 164	FAN BLADES, (HEADER END ONLY) 24" DIAM., 30° PITCH, CW, 1/2" BORE	213455000	305
	FAN BLADES, (NON-HEADER END) 30" DIAM., 24° PITCH, CW, 5/8 " BORE	210385000	485
	FAN GUARD, WIRE, EPOXY COATED, 24", BLACK	202136005	448
	FAN GUARD, WIRE, EPOXY COATED, 30", BLACK	202136011	199
	MOTOR, (HEADER END VARI-SPEED), PSC, 3/4 HP, 1075 RPM, 208-230/60/1	205051015	1,186
	MOTOR, (NON-HEADER END), 1-1/2 HP, 1075 RPM, 208-230/460/60/3	110204000	1,553
	MOTOR, (HEADER END VARI-SPEED), PSC, 3/4 HP, 1075 RPM, 460/60/1	205051016	1,284
	MOTOR MOUNT, (HEADER END), 24"	205269000	215
	MOTOR MOUNT, (NON-HEADER END), 30"	125215001	429
ALL CAC/CBC MODELS	MOTOR SPEED CONTROLLER, SINGLE INPUT, 208-230/460/1/60 (P66AAB-6)	204464043	1,270
ALL CAC/CBC MODELS	MOTOR SPEED CONTROLLER, DUAL INPUT, 208-230/460/1/60 (P66BAB-3)	204464044	1,332
ALL MODELS	TRANSFORMER, CONTROL VOLTAGE, PRIMARY 230 V, SECONDARY 24 V	104532008	374
	TRANSFORMER, CONTROL VOLTAGE, PRIMARY 460 V, SECONDARY 24 V	104532021	374

**NEXT-GEN R-SERIES MINICON - RFH, RFO, RBH, RBO, RVH, RVO**

Next Gen "R" SERIES Minicon - after 11-2015 - ALL MODELS	FIXED LOW CUT OUT CONTROL - HIGH/MED TEMP MODELS	204464232	\$296
	HIGH CUT OUT CONTROL AUTO RESET - ALL MODELS	08219424	230
	ADJUSTABLE LOW CUT OUT CONTROL - STANDARD ON LOW TEMP MODELS	204464021	296
Next Gen "R" SERIES Minicon - after 11-2015 1/2 THRU 3-1/2 HP MODELS WITH 12" FANS	FAN BLADE, 12" DIAM., 24° PITCH, CCW FOR UNITS WITH PSC MOTORS	08221169	266
	FAN BLADE, 12" DIAM., 24° PITCH, CCW FOR UNITS WITH EC MOTORS	08221176	266
	MOTOR MOUNT FOR PSC MOTORS WITH 12" FANS	21062000	127
	MOTOR MOUNT FOR EC MOTORS WITH 12" FANS	08397068	174
	MOTOR, PSC, 1/20 HP, 1550 RPM, 230 V., (CAPACITOR IS PRE-MOUNTED)	08216073	308
	MOTOR, PSC, 1/20 HP, 1550 RPM, 460 V., (CAPACITOR IS PRE-MOUNTED)	08216135	433
	MOTOR, EC, 50W, 1550 RPM, 230 V	08216125	449
	GRILLE, WIRE, BLACK, 16.88" X 15.75"	08397064	272
	GRILLE, WIRE, BLACK, 16.88" X 27.75"	08397065	305
	GRILLE, WIRE, BLACK, 19.38" X 27.75"	08397066	305
	DISCHARGE T-STAT FOR 3/8" DISCHARGE LINE	08352253	243
	DISCHARGE T-STAT FOR 1/2" DISCHARGE LINE	118431442	243
	FAN BLADE, 24" DIAM., 28° PITCH, CCW FOR PSC AND EC MOTORS	213266000	305
	MOTOR MOUNT - WIRE, 24" FOR PSC AND EC MOTORS	212837000	214
	MOTOR, PSC, 1/3 HP, 1075 RPM, 208-230/1	205051004	376
Next Gen "R" SERIES Minicon - after 11-2015 3 THRU 6 HP MODELS WITH A 24" FAN	MOTOR, PSC, 3/4 HP, 1075 RPM, 460/1	205051002	1,067
	MOTOR, EC, 3/4 HP, 1075RPM, 208-230/1	08216132	1,186
	CAPACITOR, 5 MFD, 230/460/1/60 PSC MOTORS ONLY	202163004	44
	GRILLE, WIRE, BLACK, 33.14" X 30.13"	08397067	350
	DISCHARGE T-STAT FOR 5/8" DISCHARGE LINE	08352256	243

**MINICON AIR COOLED CONDENSING UNITS (1/2 - 6 HP)  
MODELS M\*H, M\*S, M\*O, M\*D, R\*H, R\*S, R\*O, R\*D**

1/2 THRU 2 HP MODELS BUILT BEFORE 10 / 2002	FAN BLADE, 12" DIAM., 24° PITCH, CW	107943000	\$74
	FAN GUARD, WIRE, EPOXY COATED, WHITE., 12" (INDOOR MODELS ONLY) †	08397040	107
	FAN GUARD, WIRE, EPOXY COATED, BLACK, 12" (INDOOR MODELS ONLY) †	201006011	92
	MOTOR, SHADED POLE, 1/20 HP, 1550 RPM, 230/1	10254004	213
	OUTDOOR HOUSING	OH-MC1	765
	MOTOR MOUNT (OUTDOOR MODELS)	21062000	127
	MOTOR MOUNT (OUTDOOR MODELS) - S100M / H201M MODELS BEFORE 6/01	21279300	127
"R" SERIES 1/2 THRU 3 HP MODELS BUILT 10 / 2002 AND AFTER AND 2 - 3 HP SCROLLS BUILT AFTER 4 / 2003	FAN BLADE, 12" DIAM., 24° PITCH, CCW	119103001	74
	FAN GUARD, WIRE, EPOXY COATED, 12" (INDOOR MODELS ONLY)	123334000	166
	GRILLE, WIRE, EPOXY COATED, 15" (OUTDOOR MODELS ONLY)	123064000	69
	FIXED LOW CUT OUT CONTROL - HIGH/MED TEMP MODELS (EXCEPT "CR" COMP'S)	204464232	297
	HIGH CUT OUT CONTROL - ALL MODELS	204464208	230
	MOTOR MOUNT (OUTDOOR MODELS)	21062000	127
	MOTOR, SHADED POLE, 1/20 HP, 1550 RPM, 230/1	108178002	308
	MOTOR, SHADED POLE, 1/20 HP, 1550 RPM, 460/1	102540005	292
	MOTOR, PSC, 1/20 HP, 1550 RPM, 230 V., (2 MFD CAPACITOR NOT INCLUDED)	108178002	308
	CAPACITOR, 2 MFD, FOR 1/20 230 V. PSC MOTOR	202163009	47
	MOTOR, <b>ECM</b> , 1/8 HP, 1075 RPM, CCW, 230V	08216129	924
2-1/2 THRU 3 HP MODELS BUILT AFTER 4 / 2003	FAN BLADE, 20" DIAM., 18° PITCH, CW	214040000	267
	FAN GUARD, WIRE, EPOXY COATED, BLACK, 20" (INDOOR MODELS ONLY)	213484000	219
	MOTOR, SHADED POLE, 1/6 HP, 1050 RPM, 230/1 (UNITS BUILT BEFORE MAR. 31, 2001)	08216025	NLA
	MOTOR, PSC, 1/3 HP, 1075 RPM, 208-230/1 (UNITS BUILT AFTER MAR. 31, 2001)	205051004	377
	MOTOR, <b>ECM</b> , 1/3 HP, 1075 RPM, CCW, 230V	08216131	1,075
ALL 4 THRU 6 HP MODELS AND 2 - 3 HP SCROLLS BUILT BEFORE 4 / 2003	FAN BLADE, 20" DIAM., 29° PITCH, CW ‡	213156000	267
	FAN BLADE, 24" DIAM., 28° PITCH, CCW (R-SERIES ONLY)	213266000	305
	FAN GUARD, WIRE, EPOXY COATED, BLACK, 20" (INDOOR MODELS ONLY)	213484000	219
	GRILLE, WIRE, EPOXY COATED, 30"	124027000	305
	MOTOR, PSC, 1/3 HP, 1075 RPM, 208-230/1	205051004	377
	MOTOR, PSC, 3/4 HP, 1075 RPM, 460/1	205051002	1,068
	MOTOR, <b>ECM</b> , 1/3 HP, 1075 RPM, CCW, 230V	08216131	1,075
	CAPACITOR, 5MFD, 230/1 V. PSC MOTORS ONLY	202163004	44
	MOTOR MOUNT - WIRE, 24"	212837000	215
	MOTOR MOUNT - WIRE, 20" ‡	210225000	215
ALL MODELS 1/2 THRU 6 HP	ADJUSTABLE LOW CUT OUT CONTROL ‡ (STD ON "CR" COMP'S)	204464021	297
	HIGH CUT OUT CONTROL - ALL MODELS	204464208	230
	HIGH CUT OUT CONTROL ‡	204464049	230
	DISCHARGE T-STAT KIT (KLIXON STYLE)	118431442	196
	RELAY - DELAY, 90 sec, D.O.B., 230 V	104799010	117
	SEQUENCING RELAY - R2, DPDT, 30 AMP, 208/240 V, "ICE CUBE RELAY"	104799020	222

NOTES: CONTACT FACTORY FOR SIERRA AND HIGH SIERRA PARTS

† - NOT AVAILABLE FOR "P" REVISION MODELS

‡ - EXCLUDES "R" SERIES UNITS. SEE "R" SERIES FOR REPLACEMENT

**NEXT-GEN II AIR COOLED CONDENSING UNITS (3 THRU 22 HP) - MODELS RFD, RFO, RFB, RBD, RBO, RBB**

ALL MODELS	MOTOR, 3/4 HP, 1140 RPM, 48 FR, 230/3/60	08216205	\$1,324
ALL MODELS	MOTOR, 3/4 HP, 1140 RPM, 48FR, 460/3/60	08216206	1,126
ALL MODELS	MOTOR, 1/2 HP, 1075 RPM, 575/1/60	115952000	875
ALL MODELS	CAPACITOR, 7.5 MFD, 440V	202163006	47
ALL MODELS	FAN BLADE, 24" DIAM., 28° PITCH, CCW, 1/2" HUB	213266000	305
ALL MODELS	MOUNT, MOTOR, WIRE, 24", 3-LEG	212837000	214
ALL MODELS	PRESSURE CONTROL, DUAL HI/LO, FLARE	204464054	655

**"D" STYLE AIR COOLED CONDENSING UNITS (3 THRU 22 HP) - MODELS DC, DE, DL, DS**

MODEL NUMBER	DESCRIPTION	PART NUMBER	LIST PRICE
3L22, 3L52, 3L44, 3L57, 4L22, 4L44, 4L57, 5L22, 5L52, 5L44, 5L57, 6M44, 6L22, 6L52, 6L44, 6L57, 7H22, 7M52, 7M44, 7M57, 8H22, 8M52, 8M44, 8M57, 8L22, 8L44, 8L57, 9L22, 9L52, 9L44, 9L57, 10L22, 10L52, 10L44, 10L57, 12L22, 12L52, 12L44, 12L57	MOTOR, PSC, 1/3 HP, 1075 RPM, 208-230/1 V. (CAPACITOR NOT INCLUDED)	205051004	\$377
	MOTOR, PSC, 3/4 HP, 1075 RPM, 460/1 V. (CAPACITOR NOT INCLUDED)	205051002	1,068
	CAPACITOR, 7.5 MFD, 230/1 V. PSC MOTORS ONLY	202163006	47
	MOTOR, <b>ECM</b> , 1/3 HP, 1075 RPM, CCW, 230V/1	08216131	1,075
5H22, 5M22, 5M44, 5M57, 10H22, 10M52, 10M44, 10M57, 12H22, 12M44, 15H22, 15M52, 15L52, 15L22, 15L44, 15L57, 22L22, 22L52, 22L44, 22L57	MOTOR, PSC, 3/4 HP, 1075 RPM, 208-230/1 V. (CAPACITOR NOT INCLUDED)	205051009	993
	MOTOR, PSC, 3/4 HP, 1075 RPM, 460/1 V. (CAPACITOR NOT INCLUDED)	205051002	1,068
	MOTOR, PSC, 1/2 HP, 1075RPM, 575/1/60	115952000	875
	CAPACITOR, 5MFD, 230/1 V. PSC MOTORS ONLY	202163004	44
	MOTOR, <b>ECM</b> , 3/4 HP, 1075 RPM, CCW, 230V/1	08216132	1,387
ALL MODELS	CAPACITOR, 5MFD, 460/1 V. PSC MOTORS ONLY	202163004	44
VOLTAGE CODES C,D,E,F,G,M,N,Q	FAN BLADE, 24" DIAM., 28° PITCH, CCW, 1/2" HUB	213266000	305
VOLTAGE CODES C,D,E,F,G,M,N,Q	MOTOR MOUNT / FAN GUARD, 24", COMBINATION	204340000	219
VOLTAGE CODES H, J	MOTOR MOUNT, WIRE, 24", 3-LEG	212837000	83
ALL MODELS	CONTROL, DUAL HI/LO, CAP	204464041	555
ALL MODELS	OIL FAILURE CONTROL	204464009	NLA

**"V" STYLE AIR COOLED CONDENSING UNITS (20 THRU 80 HP) - MODELS VC, VL, VS**

ALL MODELS	FAN BLADES, 30" DIAM., 24° PITCH, CW, 5/8" BORE (Part replaced with 8221151)	210385000	NLA
ALL MODELS	FAN BLADES, 30" DIAM., 24° PITCH, 4 BLADE, CW, 5/8" BORE	08221151	130
ALL MODELS	FAN GUARD, WIRE, EPOXY COATED, 30" (Part replaced with 20136011)	202136006	NLA
ALL MODELS	FAN GUARD, WIRE, EPOXY COATED, 30"	202136011	176
ALL MODELS	MOTOR, 1-1/2 HP, 1140RPM, 208-230/460/60/3	110204000	1,553
ALL MODELS	MOTOR, 1-1/2 HP, 1140RPM, 575/3	118570001	2,317
ALL MODELS	KIT, MOTOR MOUNT, 30", KNCKDWN, VAC	125215001	429

**RUSSETTE AIR COOLED CONDENSING UNITS (1/2 THRU 3 HP) - MODELS RC, RE, RS**

ALL MODELS	FAN BLADES, 20" DIAM., 27° PITCH, CW, 1/2" BORE	214040000	NLA
ALL MODELS	FAN GUARD, WIRE, EPOXY COATED, BLACK, 20"	213484000	NLA
ALL MODELS	FAN GUARD, WIRE, EPOXY COATED, BLUE, 20"	201006007	NLA
ALL MODELS	MOTOR, SHADED POLE, 1/6 HP, 1050 RPM, 115V/230/1	08216025	NLA

**RUSSCON AIR COOLED CONDENSING UNITS (5 THRU 30 HP) - MODELS H, L, M, HE, LE, ME**

ALL MODELS	FAN BLADE, 24" DIAM., 28° PITCH, CCW ROTATION, 1/2" HUB	213266000	\$305
H31, M31, L35, M51, L55, H51, M61, L65, M81, L85, H81, H82, H101, M101, L105, L155, M61, L65	MOTOR, PSC, 1/3 HP, 1075 RPM, 208-230/1 V. (CAPACITOR NOT INCLUDED)	205051004	377
	MOTOR, PSC, 3/4 HP, 1075 RPM, 460/1 V. (CAPACITOR NOT INCLUDED)	205051002	1,068
	CAPACITOR, 5MFD, 230/1 V. PSC MOTORS ONLY	202163004	44
H102, H151, H152, L205, L255, H202, I305	MOTOR, PSC, 3/4 HP, 1075 RPM, 208-230/1 V. (CAPACITOR NOT INCLUDED)	205051009	993
	MOTOR, PSC, 3/4 HP, 1075 RPM, 460/1 V. (CAPACITOR NOT INCLUDED)	205051002	1,068
	CAPACITOR, 7.5 MFD, 230/1 V. PSC MOTORS ONLY	202163006	47
ALL MODELS	MOTOR MOUNT / FAN GUARD, 24", COMBINATION (Part replaced with 212837000)	204340000	NLA
ALL MODELS	MOTOR MOUNT, WIRE, 24"	212837000	80

**MISCELLANEOUS SPARE PARTS**

DESCRIPTION	PART NUMBER	LIST PRICE
THERMOSTAT, AMBIENT FAN CYCLE	204464002	NLA
FAN BLADE, 11", 32° PITCH, CW ROTATION	NLA	—
3/4" BRASS DRAIN FITTING	NLA	—
SLINGER SHIELD - 1/2" SHAFT	102548002	NLA
SLINGER SHIELD - 5/8" SHAFT	102548001	NLA
CONTACTOR, 25 AMP, 3 POLE, 208-230/460	104461097	419
CONTACTOR, 30 AMP, 3 POLE, 208-230/460 (Part replaced with 08219963)	104461098	NLA
CONTACTOR, 32 AMP, 3 POLE, 208-230/460	08219963	99
CONTACTOR, 40 AMP, 3 POLE, 208-230/460 (Part replaced with 08219965)	104461099	NLA
CONTACTOR, 40 AMP, 3 POLE, 208-230/460	08219965	124
CONTACTOR, 50 AMP, 3 POLE, 208-230/460 (Part replaced with 08219967)	104461111	NLA
CONTACTOR, 50 AMP, 3 POLE, 208-230/460	08219967	291
CONTACTOR, 75 AMP, 3 POLE, 208-230/460 (Part replaced with 08220037)	104461115	NLA
CONTACTOR, 75 AMP, 3 POLE, 208-230/460	8220037	730

NLA - NO LONGER AVAILABLE



**HIGH SIERRA REPLACEMENT PARTS - LISTING BY PRODUCT MODEL NUMBER**

**LOW TEMP. MODELS\***

**HIGH SIERRA W/R-SERIES CONDENSING UNIT - MODELS RHH, RHS, RHD, RHC**

COMP. TYPE	MODEL NUMBER	DESCRIPTION	PART NUMBER	LIST PRICE
HERMETIC	ALL RHH LOW TEMP. MODELS†	VALVE, REVERSING, 1/2 X 7/8 X 7/8	21012	\$586
		STRAINER, CONE, 1/2, 100M	123277001	26
		MOTOR, SHADED POLE, 1/20 HP, 1550 RPM, 230/1	102540004	197
		FAN BLADE, 12" DIAM., 24° PITCH, CCW	119103001	74
		LOW CUT OUT CONTROL	204464232	297
		HIGH CUT OUT CONTROL	204464208	230
		THERMOSTAT, AMBIENT FAN CYCLE	204464002	429
	RHH100L44	VALVE, TXV, 3/8 X 1/2 ODF, SWEAT	SBFSE-AA-Z	423
		FILTER, LIQUID, BI-FLO, 3/8SW	104471048	95
	RHH165L44	VALVE, TXV, 3/8 X 1/2 ODF, SWEAT	SBFSE-A-Z	423
	RHH215L44	VALVE, TXV, 3/8 X 1/2 SWEAT	SBFSE-B-Z	423
	RHH165L44, RHH215L44	FILTER, LIQUID, BI-FLO, 3/8SW	104471049	158
	RHH315L44	VALVE, TXV, 3/8 x 1/2 FL	SBFSE-C-Z	540
		FILTER, LIQUID, BI-FLO, 1/2 SW, VEN. PART # BFK 164S	104471046	161
SEMI-HERMETIC	ALL RHS LOW TEMP. MODELS†	VALVE, REVERSING, 1/2 X 7/8 X 7/8	21012	\$586
		STRAINER, CONE, 1/2, 100M	123277001	26
		MOTOR, SHADED POLE, 1/20 HP, 1550 RPM, 230/1	102540004	197
		FAN BLADE, 12" DIAM., 24° PITCH, CCW	119103001	74
		LOW CUT OUT CONTROL	204464232	297
		HIGH CUT OUT CONTROL	204464208	230
		THERMOSTAT, AMBIENT FAN CYCLE	204464002	429
	RHS075L44	VALVE, TXV, 3/8 X 1/2 ODF, SWEAT	SBFSE-AA-Z	423
	RHS075L44, RHS100L44	FILTER, LIQUID, BI-FLO, 3/8SW	104471048	95
	RHS100L44, RHS150L44	VALVE, TXV, 3/8 X 1/2 ODF, SWEAT	SBFSE-A-Z	423
	RHS150L44, RHS200L44	FILTER, LIQUID, BI-FLO, 3/8SW	104471049	158
	RHS200L44, RHS250L44	VALVE, TXV, 3/8 X 1/2 SWEAT	SBFSE-B-Z	423
	RHS250L44, RHS300L44	FILTER, LIQUID, BI-FLO, 1/2 SW, VEN. PART # BFK 164S	104471046	161
	RHS300L44	VALVE, TXV, 3/8 x 1/2 FL	SBFSE-C-Z	540
DISCUS	ALL RHD LOW TEMP. MODELS†	VALVE, REVERSING, 5/8 X 1-1/8	16506	\$702
		STRAINER, CONE, 5/8, 40M	123277002	26
		FAN GUARD, WIRE, EPOXY COATED, 20" (INDOOR MODELS ONLY)	201006007	219
		FAN BLADE, 24" DIAM., 28° PITCH, CCW (R-SERIES ONLY)	213266000	305
		LOW CUT OUT CONTROL	204464232	297
		HIGH CUT OUT CONTROL	204464208	230
		THERMOSTAT, AMBIENT FAN CYCLE	204464002	429
	RHD300L44	VALVE, TXV, 3/8 x 1/2 FL	SBFSE-C-Z	540
	RHD400L44, RHD500L44	FILTER, LIQUID, BI-FLO, 1/2 SW, VEN. PART # BFK 164S	104471046	161
		VALVE, TXV, 5/8 X 7/8ODF, SWEAT	EBSSE-6-Z	540
FILTER, LIQUID, BI-FLO, 1/2 SW, VEN. PART # BFK 304S		104471047	216	
SCROLL	ALL RHO LOW TEMP. MODELS†	FAN GUARD, WIRE, EPOXY COATED, 20" (INDOOR MODELS ONLY)	201006007	\$219
		FAN BLADE, 24" DIAM., 28° PITCH, CCW (R-SERIES ONLY)	213266000	305
		LOW CUT OUT CONTROL	204464232	297
		HIGH CUT OUT CONTROL	204464208	230
		THERMOSTAT, AMBIENT FAN CYCLE	204464002	429
	RHO200L44 - RHO400L44	VALVE, REVERSING, 1/2 X 7/8 X 7/8	21012	586
		STRAINER, CONE, 1/2, 100M	123277001	26
	RHO500L44 - RHO600L44	VALVE, REVERSING, 5/8 X 1-1/8	16506	702
		STRAINER, CONE, 5/8, 40M	123277002	26
	RHO200L44	VALVE, TXV, 3/8 X 1/2 ODF, SWEAT	SBFSE-A-Z	423
		FILTER, LIQUID, BI-FLO, 3/8SW	104471049	158
	RHO250L44, RHO300L44	VALVE, TXV, 3/8 X 1/2 SWEAT	SBFSE-B-Z	423
	RHO250L44 - RHO301L44	FILTER, LIQUID, BI-FLO, 1/2 SW, VEN. PART # BFK 164S	104471046	161
	RHO301L44, RHO400L44	VALVE, TXV, 3/8 x 1/2 FL	SBFSE-C-Z	540
RHO400L44 - RHO600L44	FILTER, LIQUID, BI-FLO, 1/2 SW, VEN. PART # BFK 304S	104471047	216	
RHO500L44, RHO600L44	VALVE, TXV, 5/8 X 7/8ODF, SWEAT	EBSSE-6-Z	540	

\*PARTS SELECTION MAY VARY BASED UPON SPECIFIC OPERATING CONDITIONS.

NLA - NO LONGER AVAILABLE

†All Low Temperature High Sierra Models with indicated Compressor type (Semi-Hermetic, Hermetic, Scroll or Discus)and Condensing unit.

**HIGH SIERRA REPLACEMENT PARTS (CON'T)**

**LOW TEMP. MODELS\***

**HIGH SIERRA W/D-SERIES CONDENSING UNIT - MODELS DHD, DHO**

COMP. TYPE	MODEL NUMBER	DESCRIPTION	PART NUMBER	LIST PRICE
DISCUS	ALL DHD*L44 LOW TEMP. MODELS†	MOTOR, PSC, 1/3 HP, 1075 RPM, 208-230/1	205051004	\$377
		FAN BLADE, 24" DIAM., 28° PITCH, CCW	213266000	305
		HI-LO PRESSURE CONTROL	204464041	555
		THERMOSTAT, AMBIENT FAN CYCLE	204464002	429
	DHD5L44 - DHD9L44	VALVE, REVERSING, 7/8 X 1-3/8 X 1-3/8	21054	1,157
		STRAINER, CONE, 7/8, 40M	123277003	33
	DHD10L44 - DHD15L44	VALVE, REVERSING, 1-1/8 x 1-5/8 X 1-5/8	21000	1,433
		STRAINER, CONE, 1-1/8, 40M	123277004	36
	DHD5L44	VALVE, TXV, 5/8 X 7/8ODF, SWEAT	EBSSE-6-Z	540
	DHD6L44	VALVE, TXV, 5/8 X 7/8ODF, SWEAT	EBSSE-7 1/2 -Z	540
	DHD5L44, DHD6L44	FILTER, LIQUID, BI-FLO, 1/2 SW, VEN. PART # BFK 304S	104471047	216
	DHD8L44, DHD9L44	VALVE, TXV, 7/8 X 1-1/8ODF, SWEAT	EBSSE-10-Z	673
		FILTER, LIQUID, BI-FLO, 5/8 SW	104471066	223
	DHD10L44, DHD12L44	VALVE, TXV, 7/8 X 1-3/8ODF, SWEAT	EBSSE-13-Z	673
		FILTER, LIQUID, BI-FLO, 5/8 SW	104471066	223
	DHD15L44	VALVE, TXV, 7/8 X 1-3/8ODF, SWEAT	EBSSE-13-Z	673
		FILTER, LIQUID, BI-FLO, 7/8 SW	104471193	230
	SCROLL	ALL DHO LOW TEMP. MODELS†	MOTOR, PSC, 1/3 HP, 1075 RPM, 208-230/1	205051004
FAN BLADE, 24" DIAM., 28° PITCH, CCW			213266000	305
HI-LO PRESSURE CONTROL			204464041	555
THERMOSTAT, AMBIENT FAN CYCLE			204464002	429
FILTER, LIQUID, BI-FLO, 5/8 SW			104471066	223
DHO6L44		VALVE, REVERSING, 5/8 X 1-1/8	16506	702
		STRAINER, CONE, 5/8, 40M	123277002	26
DHO6L44, DHO8L44		VALVE, TXV, 5/8 X 7/8ODF, SWEAT	EBSSE-6-Z	540
DHO8L44 - DHO13L44		VALVE, REVERSING, 7/8 X 1-3/8 X 1-3/8	21054	1157
DHO10L44, DHO13L44		STRAINER, CONE, 7/8, 40M	123277003	33
		VALVE, TXV, 7/8 X 1-1/8ODF, SWEAT	EBSSE-10-Z	673

**HIGH SIERRA W/V-SERIES CONDENSING UNIT - MODEL VHD**

DISCUS	ALL VHD*L44 LOW TEMP. MODELS†	MOTOR, (NON-HEADER END), 1-1/2 HP, 1075 RPM, 208-230/460/60/3	110204000	\$1,553
		FAN BLADES, 30" DIAM., 24° PITCH, CW, 5/8" BORE	210385000	485
		HI-LO PRESSURE CONTROL	204464041	555
		THERMOSTAT, AMBIENT FAN CYCLE	204464002	429
	VHD15L44 - VHD44L44	STRAINER, CONE, 1-3/8, 40M	123277005	38
	VHD54L44, VHD60L44	STRAINER, CONE	C/F	—
		VALVE, REVERSING, 1-3/8 X 2-1/8, FULL	21049	4,568
		VALVE, TXV, 1-1/8 X 1-3/8 SWEAT	OSE-21-Z	673
	VHD15L44, VHD22L44	FILTER SHELL, LIQUID, 7/8	104471021	540
		VALVE, REVERSING, 1-5/8 X 2-1/8 X 2-1/8	21055	5,392
	VHD27L44, VHD30L44	VALVE, TXV, 1-1/8 X 1-3/8 SWEAT	OSE-30-Z	673
		FILTER SHELL, LIQUID, 7/8	104471021	540
		VALVE, REVERSING, 1-5/8 X 2-1/8 X 2-1/8	21055	5,392
	VHD44L44	VALVE, TXV, 1-1/8 X 1-3/8 ODF, SWEAT	OSE-45-Z	673
		FILTER SHELL, LIQUID, 1-1/8	104471022	649
		VALVE, REVERSING, 2-1/8 X 2-5/8 X 2-5/8	21056	7,690
	VHD54L44, VHD60L44	VALVE, TXV, 1-1/8 X 1-3/8 SWEAT	(2) OSE-30-Z	1,346
		FILTER SHELL, LIQUID, 1-1/8	104471022	649

\*PARTS SELECTION MAY VARY BASED UPON SPECIFIC OPERATING CONDITIONS.

C/F = CONTACT FACTORY

†All Low Temperature High Sierra Models with indicated Compressor type (Semi-Hermetic, Hermetic, Scroll or Discus)and Condensing unit.

‡ V-Series filter is not Bi-Flow Design. Part number is for replaceable core filter (shell only). Core Part # 14471034 (may require more than one core).

# HIGH SIERRA REPLACEMENT PARTS - LISTING BY PRODUCT MODEL NUMBER

## MEDIUM TEMP.<sup>1</sup> MODELS\*

### HIGH SIERRA W/R-SERIES CONDENSING UNIT - MODELS RHH, RHS, RHD, RHC

COMP. TYPE	MODEL NUMBER	DESCRIPTION	PART NUMBER	LIST PRICE	
HERMETIC	ALL RHH*H22 MEDIUM TEMP. MODELS†	VALVE, REVERSING, 1/2 X 7/8 X 7/8	21012	\$586	
		STRAINER, CONE, 1/2, 100M	123277001	26	
		LOW CUT OUT CONTROL	204464232	297	
		HIGH CUT OUT CONTROL	204464208	230	
		THERMOSTAT, AMBIENT FAN CYCLE	204464002	429	
	R22	RHH075H22 - RHH301H22	MOTOR, SHADED POLE, 1/20 HP, 1550 RPM, 230/1	102540004	197
			FAN BLADE, 12" DIAM., 24° PITCH, CCW	119103001	74
	HERMETIC	RHH075H22	VALVE, TXV, 3/8 X 1/2 ODF, SWEAT	SBFVE-AA-C	437
		RHH075H22, RHH100H22	FILTER, LIQUID, BI-FLO, 3/8SW	104471048	95
		RHH100H22, RHH151H22	VALVE, TXV, 3/8 X 1/2 ODF, SWEAT	SBFVE-A-C	423
		RHH151H22, RHH201H22	FILTER, LIQUID, BI-FLO, 3/8SW	104471049	158
		RHH201H22, RHH251H22	VALVE, TXV, 3/8 X 1/2 ODF, SWEAT	SBFVE-B-C	423
		RHH251H22, RHH301H22	FILTER, LIQUID, BI-FLO, 1/2 SW, VEN. PART # BFK 164S	104471046	161
			RHH301H22	VALVE, TXV, 3/8 X 1/2 ODF, SWEAT	SBFVE-C-C
		RHH401H22, RHH500H22	FILTER, LIQUID, BI-FLO, 1/2 SW, VEN. PART # BFK 304S	104471047	216
			VALVE, TXV, 3/8 X 1/2 ODF, SWEAT	SBFVE-C-C	540
			FAN GUARD, WIRE, EPOXY COATED, 20" (INDOOR MODELS ONLY)	201006007	219
			FAN BLADE, 24" DIAM., 28° PITCH, CCW (R-SERIES ONLY)	213266000	305
		ALL RHH*M44 MEDIUM TEMP. MODELS	LOW CUT OUT CONTROL	204464232	297
			HIGH CUT OUT CONTROL	204464208	230
			THERMOSTAT, AMBIENT FAN CYCLE	204464002	429
		R404A	RHH050M44 - RHH300M44	VALVE, REVERSING, 1/2 X 7/8 X 7/8	21012
	STRAINER, CONE, 1/2, 100M			123277001	26
	MOTOR, SHADED POLE, 1/20 HP, 1550 RPM, 230/1			102540004	197
	FAN BLADE, 12" DIAM., 24° PITCH, CCW			119103001	74
	RHH050M44, RHH075M44		VALVE, TXV, 3/8 X 1/2 ODF, SWEAT	SBFSE-A-C	423
			FILTER, LIQUID, BI-FLO, 3/8SW	104471048	95
	RHH101M44		FILTER, LIQUID, BI-FLO, 3/8SW	104471048	95
	RHH101M44, RHH150M44		VALVE, TXV, 3/8 X 1/2 ODF, SWEAT	SBFSE-B-C	423
	RHH150M44, RHH201M44		FILTER, LIQUID, BI-FLO, 3/8SW	104471049	158
RHH201M44, RHH300M44	VALVE, TXV, 3/8 X 1/2 ODF, SWEAT		SBFSE-C-C	540	
RHH300M44	FILTER, LIQUID, BI-FLO, 1/2 SW, VEN. PART # BFK 164S		104471046	161	
RHH400M44	VALVE, REVERSING, 5/8 X 1-1/8		16506	702	
	STRAINER, CONE, 5/8, 40M		123277002	26	
	VALVE, TXV, 5/8 X 7/8 ODF, SWEAT		EBSSSE-6-C	540	
	FILTER, LIQUID, BI-FLO, 1/2 SW, VEN. PART # BFK 304S		104471047	216	
	FAN GUARD, WIRE, EPOXY COATED, 20" (INDOOR MODELS ONLY)	201006007	219		
	FAN BLADE, 24" DIAM., 28° PITCH, CCW (R-SERIES ONLY)	213266000	305		
SEMI-HERMETIC	ALL RHH*H22 MEDIUM TEMP. MODELS †	LOW CUT OUT CONTROL	204464232	\$297	
		HIGH CUT OUT CONTROL	204464208	230	
		THERMOSTAT, AMBIENT FAN CYCLE	204464002	429	
		VALVE, REVERSING, 1/2 X 7/8 X 7/8	21012	586	
		STRAINER, CONE, 1/2, 100M	123277001	26	
	R22	RHS050H22 - RHS300H22	MOTOR, SHADED POLE, 1/20 HP, 1550 RPM, 230/1	102540004	197
			FAN BLADE, 12" DIAM., 24° PITCH, CCW	119103001	74
	RHS050H22, RHS075H22	VALVE, TXV, 3/8 X 1/2 ODF, SWEAT	SBFVE-AA-C	437	
		FILTER, LIQUID, BI-FLO, 3/8SW	104471048	95	
	RHS100H22, RHS150H22	VALVE, TXV, 3/8 X 1/2 ODF, SWEAT	SBFVE-A-C	423	
	RHS100H22	FILTER, LIQUID, BI-FLO, 3/8SW	104471048	95	
	RHS150H22, RHS200H22	FILTER, LIQUID, BI-FLO, 3/8SW	104471049	158	
	RHS200H22	VALVE, TXV, 3/8 X 1/2 ODF, SWEAT	SBFVE-B-C	423	
	RHS300H22	VALVE, TXV, 3/8 X 1/2 ODF, SWEAT	SBFVE-C-C	540	
		FILTER, LIQUID, BI-FLO, 1/2 SW, VEN. PART # BFK 164S	104471046	161	
RHS400H22	FAN GUARD, WIRE, EPOXY COATED, 20" (INDOOR MODELS ONLY)	201006007	219		
	FAN BLADE, 24" DIAM., 28° PITCH, CCW (R-SERIES ONLY)	213266000	305		
	VALVE, TXV, 3/8 X 1/2 ODF, SWEAT	SBFVE-C-C	540		
	FILTER, LIQUID, BI-FLO, 1/2 SW, VEN. PART # BFK 304S	104471047	216		

\*PARTS SELECTION MAY VARY BASED UPON SPECIFIC OPERATING CONDITIONS.

NLA - NO LONGER AVAILABLE

†All Medium Temperature High Sierra Models with indicated Compressor type (Semi-Hermetic, Hermetic, Scroll or Discus)and Condensing unit.

<sup>1</sup> Medium Temperature models are only available for warm ambient locations.

**HIGH SIERRA REPLACEMENT PARTS (CON'T)**  
**MEDIUM TEMP.¹ MODELS\***  
**HIGH SIERRA W/R-SERIES CONDENSING UNIT - MODELS RHS, RHC**

COMP. TYPE	MODEL NUMBER	DESCRIPTION	PART NUMBER	LIST PRICE
R404A S E M I - H E R M E T I C	ALL RHS*M44 MEDIUM TEMP. MODELS†	LOW CUT OUT CONTROL	204464232	\$297
		HIGH CUT OUT CONTROL	204464208	230
		THERMOSTAT, AMBIENT FAN CYCLE	204464002	429
	RHS050M44 - RHS300M44	VALVE, REVERSING, 1/2 X 7/8 X 7/8	21012	586
		STRAINER, CONE, 1/2, 100M	123277001	26
		MOTOR, SHADED POLE, 1/20 HP, 1550 RPM, 230/1	102540004	197
		FAN BLADE, 12" DIAM., 24° PITCH, CCW	119103001	74
	RHS050M44, RHS100M44	VALVE, TXV, 3/8 X 1/2 ODF, SWEAT	SBFSE-A-C	423
		FILTER, LIQUID, BI-FLO, 3/8SW	104471048	95
	RHS200M44	VALVE, TXV, 3/8 X 1/2 ODF, SWEAT	SBFSE-B-C	423
		FILTER, LIQUID, BI-FLO, 3/8SW	104471049	158
	RHS300M44	VALVE, TXV, 3/8 X 1/2 ODF, SWEAT	SBFSE-C-C	540
		FILTER, LIQUID, BI-FLO, 1/2 SW, VEN. PART # BFK 164S	104471046	161
	RHS400M44	VALVE, REVERSING 5/8 X 1-1/8	16506	702
		STRAINER, CONE, 5/8, 40M	123277002	26
		VALVE, TXV, 5/8 X 7/8 ODF, SWEAT	EBSSE-6-C	540
FILTER, LIQUID, BI-FLO, 1/2 SW, VEN. PART # BFK 304S		104471047	216	
FAN GUARD, WIRE, EPOXY COATED, 20" (INDOOR MODELS ONLY)		201006007	219	
FAN BLADE, 24" DIAM., 28° PITCH, CCW (R-SERIES ONLY)		213266000	305	
R404A S C R O L L	ALL RHO*M44 MEDIUM TEMP. MODELS†	LOW CUT OUT CONTROL	204464232	\$297
		HIGH CUT OUT CONTROL	204464208	230
		THERMOSTAT, AMBIENT FAN CYCLE	204464002	429
	RHO200M44	FAN BLADE, 24" DIAM., 28° PITCH, CCW (R-SERIES ONLY)	213266000	305
		FAN GUARD, WIRE, EPOXY COATED, 20" (INDOOR MODELS ONLY)	201006007	219
		FILTER, LIQUID, BI-FLO, 3/8SW	104471049	158
	RHO200M44 - RHO300M44	VALVE, REVERSING, 1/2 X 7/8 X 7/8	21012	586
		STRAINER, CONE, 1/2, 100M	123277001	26
	RHO250M44 - RHO301M44	VALVE, TXV, 3/8 X 1/2 ODF, SWEAT	SBFSE-C-C	540
		FILTER, LIQUID, BI-FLO, 1/2 SW, VEN. PART # BFK 164S	104471046	161
	RHO301M44 - RHO500M44	VALVE, REVERSING 5/8 X 1-1/8	16506	702
		STRAINER, CONE, 5/8, 40M	123277002	26
	RHO400M44 - RHO600M44	VALVE, TXV, 5/8 X 7/8 ODF, SWEAT	EBSSE-6-C	540
		FILTER, LIQUID, BI-FLO, 1/2 SW, VEN. PART # BFK 304S	104471047	216
	RHO600M44	VALVE, REVERSING, 7/8 X 1-3/8 X 1-3/8	21054	1,157
		STRAINER, CONE, 7/8, 40M	123277003	33
RHO650M44	VALVE, TXV, 5/8 X 7/8 ODF, SWEAT	EBSSE-6-C	540	
	VALVE, REVERSING, 1-1/8 x 1-5/8 X 1-5/8	21000	1,433	
	STRAINER, CONE, 1-1/8, 40M	123277004	36	
	VALVE, TXV, 5/8 X 7/8 ODF, SWEAT	EBSSE-7 1/2 -C	426	
	FILTER, LIQUID, BI-FLO, 5/8 SW	104471066	223	

**HIGH SIERRA W/D-SERIES CONDENSING UNIT - MODELS DHD, DHC**

R22 D I S C U S	ALL DHD*H22 MEDIUM TEMP. MODELS†	HI-LO PRESSURE CONTROL	204464041	\$555
		THERMOSTAT, AMBIENT FAN CYCLE	204464002	429
		MOTOR, PSC, 1/3 HP, 1075 RPM, 208-230/1	205051004	377
	DHD5H22	FAN BLADE, 24" DIAM., 28° PITCH, CCW (R-SERIES ONLY)	213266000	305
		VALVE, REVERSING, 5/8 X 1-1/8	16506	702
		STRAINER, CONE, 5/8, 40M	123277002	26
		VALVE, TXV, 5/8 X 7/8 ODF, SWEAT	EBSVE-8-C	426
	DHD5H22 - DHD8H22	FILTER, LIQUID, BI-FLO, 5/8 SW	104471066	223
		VALVE, REVERSING, 7/8 X 1-3/8 X 1-3/8	21054	1,157
	DHD7H22, DHD8H22	STRAINER, CONE, 7/8, 40M	123277003	33
		VALVE, TXV, 5/8 X 7/8 ODF, SWEAT	EBSVE-11-C	741
	DHD10H22	VALVE, REVERSING, 7/8 X 1-3/8 X 1-3/8	21054	1,157
		STRAINER, CONE, 7/8, 40M	123277003	33
	DHD12H22	VALVE, REVERSING, 1-1/8 x 1-5/8 X 1-5/8	21000	1,433
		STRAINER, CONE, 1-1/8, 40M	123277004	36
	DHD10H22, DHD12H22	VALVE, TXV, 7/8 x 1-1/8 ODF, SWEAT	EBSVE-15-C	741
FILTER, LIQUID, BI-FLO, 7/8 SW		104471193	230	
R404A D I S C U S	ALL DHD*M44 MEDIUM TEMP. MODELS†	HI-LO PRESSURE CONTROL	204464041	\$555
		THERMOSTAT, AMBIENT FAN CYCLE	204464002	429
		MOTOR, PSC, 1/3 HP, 1075 RPM, 208-230/1	205051004	377
	DHD5M44 - DHD7M44	FAN BLADE, 24" DIAM., 28° PITCH, CCW (R-SERIES ONLY)	213266000	305
		VALVE, REVERSING, 7/8 X 1-3/8 X 1-3/8	21054	1,157
		STRAINER, CONE, 7/8, 40M	123277003	33
		VALVE, TXV, 7/8 x 1-1/8 ODF, SWEAT	EBSSE-10-C	741
	DHD5M44 - DHD8M44	FILTER, LIQUID, BI-FLO, 5/8 SW	104471066	223
		VALVE, REVERSING, 1-1/8 x 1-5/8 X 1-5/8	21000	1,433
	DHD8M44, DHD10M44	STRAINER, CONE, 1-1/8, 40M	123277004	36
		VALVE, TXV, 7/8 X 1-3/8 ODF, SWEAT	EBSSE-13-C	741
	DHD10M44, DHD12M44	FILTER, LIQUID, BI-FLO, 7/8 SW	104471193	230
		VALVE, REVERSING, 1-3/8 X 2-1/8, FULL	21049	4,568
	DHD12M44	STRAINER, CONE, 1-3/8, 40M	123277005	38
		VALVE, TXV, 7/8 X 1-3/8 ODF, SWEAT	EBSSE-13-C	741
	R404A S C R O L L	ALL DHO*M44 MEDIUM TEMP. MODELS†	HI-LO PRESSURE CONTROL	204464041
THERMOSTAT, AMBIENT FAN CYCLE			204464002	429
MOTOR, PSC, 1/3 HP, 1075 RPM, 208-230/1			205051004	377
DHO6M44		FAN BLADE, 24" DIAM., 28° PITCH, CCW (R-SERIES ONLY)	213266000	305
		VALVE, REVERSING, 5/8 X 1-1/8	16506	702
		STRAINER, CONE, 5/8, 40M	123277002	26
		VALVE, TXV, 5/8 X 7/8 ODF, SWEAT	EBSSE-7 1/2-C	426
DHO7M44, DHO8M44		FILTER, LIQUID, BI-FLO, 1/2 SW, VEN. PART # BFK 304S	104471047	216
		VALVE, REVERSING, 7/8 X 1-3/8 X 1-3/8	21054	1,157
DHO10M44, DHO13M44		STRAINER, CONE, 7/8, 40M	123277003	33
		VALVE, TXV, 7/8 x 1-1/8 ODF, SWEAT	EBSSE-10-C	741
DHO10M44, DHO13M44		FILTER, LIQUID, BI-FLO, 5/8 SW	104471066	223
		VALVE, REVERSING, 1-1/8 x 1-5/8 X 1-5/8	21000	1,433
		STRAINER, CONE, 1-1/8, 40M	123277004	36
		VALVE, TXV, 7/8 X 1-3/8 ODF, SWEAT	EBSSE-13-C	741
		FILTER, LIQUID, BI-FLO, 7/8 SW	104471193	230

\*PARTS SELECTION MAY VARY BASED UPON SPECIFIC OPERATING CONDITIONS.

†All Medium Temperature High Sierra Models with indicated Compressor type (Semi-Hermetic, Hermetic, Scroll or Discus)and Condensing unit.

¹ Medium Temperature models are only available for warm ambient locations.

**HIGH SIERRA REPLACEMENT PARTS (CON'T)**  
**MEDIUM TEMP.<sup>1</sup> MODELS\***  
**HIGH SIERRA W/V-SERIES CONDENSING UNIT - MODEL VHD**

COMP. TYPE	MODEL NUMBER	DESCRIPTION	PART NUMBER	LIST PRICE
R22	ALL VHD*H22 MEDIUM TEMP. MODELS †	HI-LO PRESSURE CONTROL	204464041	\$555
		THERMOSTAT, AMBIENT FAN CYCLE	204464002	429
		MOTOR, (NON-HEADER END), 1-1/2 HP, 1075 RPM, 208-230/460/60/3	110204000	1,553
		FAN BLADES, 30" DIAM., 24° PITCH, CW, 5/8" BORE	210385000	485
	VHD15H22	VALVE, REVERSING, 1-1/8 x 1-5/8 X 1-5/8	21000	1,433
		STRAINER, CONE, 1-1/8, 40M	123277004	36
	VHD15H22, VHD20H22	VALVE, TXV, 7/8 x 1-3/8 ODF, SWEAT	EBSVE-20-C	741
		FILTER SHELL, LIQUID, 7/8	104471021§	540
	VHD20H22 - VHD30H22	VALVE, REVERSING, 1-3/8 X 2-1/8, FULL	21049	4,568
		STRAINER, CONE, 1-3/8, 40M	123277005	38
	VHD25H22, VHD30H22	VALVE, TXV, 1-1/8 X 1-3/8 SWEAT	OVE-30-C	741
		FILTER SHELL, LIQUID, 7/8	104471021§	540
	VHD25H22	FILTER SHELL, LIQUID, 1-1/8	104471022§	649
	VHD35H22 - VHD50H22	VALVE, REVERSING, 1-5/8 X 2-1/8 X 2-1/8	21055	5,392
		STRAINER, CONE, 1-3/8, 40M	123277005	38
		FILTER SHELL, LIQUID, 1-1/8	104471031§	938
	VHD35H22, VHD40H22	VALVE, TXV, 1-1/8 X 1-3/8 SWEAT	OVE-40-C	741
	VHD50H22, VHD60H22‡	VALVE, TXV, 1-1/8 X 1-3/8 SWEAT	(2) OVE-30-C	1,482
VHD60H22‡	FILTER SHELL, LIQUID, 1-3/8	104471032§	1,167	
VHD60H22‡, VHD70H22‡	VALVE, REVERSING, 2-1/8 X 2-5/8 X 2-5/8	21056	7,690	
VHD70H22‡, VHD80H22‡	VALVE, TXV, 1-1/8 X 1-3/8 SWEAT	(2) OVE-40-C	1,482	
	FILTER SHELL, LIQUID, 1-5/8	104471033§	1,375	
VHD80H22‡	VALVE, REVERSING, 2-5/8 X 3-1/8 X 3-1/8	21057	13,344	
R404A	ALL VHD*M44 MEDIUM TEMP. MODELS	HI-LO PRESSURE CONTROL	204464041	\$555
		THERMOSTAT, AMBIENT FAN CYCLE	204464002	429
		MOTOR, (NON-HEADER END), 1-1/2 HP, 1075 RPM, 208-230/460/60/3	110204000	1,553
		FAN BLADES, 30" DIAM., 24° PITCH, CW, 5/8" BORE	210385000	485
	VHD15M44, VHD20M44	VALVE, REVERSING, 1-3/8 X 2-1/8, FULL	21049	4,568
		STRAINER, CONE, 1-3/8, 40M	123277005	38
		VALVE, TXV, 1-1/8 X 1-3/8 ODF, SWEAT	OSE-21-C	741
		FILTER SHELL, LIQUID, 7/8	104471021§	540
	VHD25M44 - VHD35M44	VALVE, REVERSING, 1-5/8 X 2-1/8 X 2-1/8	21055	5,392
		STRAINER, CONE, 1-3/8, 40M	123277005	38
		VALVE, TXV, 1-1/8 x 1-3/8 SWEAT	OSE-30-C	741
	VHD25M44	FILTER SHELL, LIQUID, 7/8	104471021§	540
	VHD30M44	FILTER SHELL, LIQUID, 1-1/8	104471022§	649
	VHD35M44 - VHD50M44§	FILTER SHELL, LIQUID, 1-1/8	104471031§	938
	VHD40M44‡ - VHD60M44‡	VALVE, REVERSING, 2-1/8 X 2-5/8 X 2-5/8	21056	7,690
	VHD40M44‡	VALVE, TXV, 1-1/8 X 1-3/8 ODF, SWEAT	OSE-35-C	741
	VHD50M44‡, VHD60M44‡	VALVE, TXV, 1-1/8 X 1-3/8 ODF, SWEAT	OSE-45-C	741
	VHD60M44‡	FILTER SHELL, LIQUID, 1-3/8	104471032§	1,167
VHD70M44‡, VHD80M44‡	VALVE, REVERSING, 2-5/8 X 3-1/8 X 3-1/8	21057	13,344	
	FILTER SHELL, LIQUID, 1-5/8	104471033§	1,375	
VHD70M44‡	VALVE, TXV, 1-1/8 x 1-3/8 SWEAT	(2) OSE-30-C	1,482	
VHD80M44‡	VALVE, TXV, 1-1/8 X 1-3/8 ODF, SWEAT	(2) OSE-35-C	1,482	

\*PARTS SELECTION MAY VARY BASED UPON SPECIFIC OPERATING CONDITIONS.

C/F = CONTACT FACTORY

†All Medium Temperature High Sierra Models with indicated Compressor type (Semi-Hermetic, Hermetic, Scroll or Discus) and Condensing unit.

‡ Contact Factory for Reverse Valve Strainer

§ V-Series filter is not Bi-Flow Design. Part number is for replaceable core filter (shell only). Core Part # 14471034 (may require more than one core).

<sup>1</sup> Medium Temperature models are only available for warm ambient locations.

**APEX REFRIGERATION SYSTEM, XN, XT**

MODEL NUMBER	DESCRIPTION	PART NUMBER	LIST PRICE
XN026M THRU XN037M, XN018L	CONDENSER AND EVAP. MOTOR, PSC, 16W, 1550 RPM, 115V	107933001	\$369
	CAPACITOR FOR THIS MOTOR, 5 $\mu$ F, 440V	202163004	44
	EVAPORATOR MOTOR, 115V, 16W, 1550 RPM, SP	103104007	181
	EVAPORATOR MOTOR, 115V, 16W, 1550 RPM, ECM	107933006	641
XN050M, XN024L	CONDENSER AND EVAP. MOTOR, PSC, 1/20 HP, 1550 RPM, 115V	08216074	270
	CAPACITOR FOR THIS MOTOR, 3 $\mu$ F, 370V	202163010	42
	EVAPORATOR MOTOR, 115V, 1/20 HP, 1550 RPM, SP	08216072	197
	EVAPORATOR MOTOR, 115V, 50W, 1550 RPM, ECM	08216124	603
X*050M THRU X*134M, X*024L THRU X*068L	CONDENSER AND EVAPORATOR MOTOR, 208-230V, 1/20 HP, 1550 RPM, PSC	08216073	308
	CAPACITOR FOR THIS MOTOR, 2 $\mu$ F, 370V	202163009	47
	EVAPORATOR MOTOR, 208-230V, 1/20 HP, 1550 RPM, SP	08216071	213
	EVAPORATOR MOTOR, 208-230V, 50W, 1550 RPM, ECM	08216125	635
XN026M THRU XN037M, XN018L	CONDENSER MOTOR MOUNT	10243000	122
	EVAPORATOR MOTOR MOUNT	12003000	126
X*050M THRU X*134M, X*024L THRU X*068L	CONDENSER AND EVAPORATOR MOTOR MOUNT (FOR SP AND PSC MOTORS)	21062000	127
	CONDENSER AND EVAPORATOR MOTOR MOUNT LEG (FOR ECM MOTORS, 3 REQUIRED PER MOTOR)	08522938	40
XN026M THRU XN037M, XN018L	CONDENSER FAN, 10 INCH DIAM., 31° PITCH, CCW	204395018	49
	EVAPORATOR FAN, 8 INCH DIAM., 36° PITCH, CW	08221167	42
X*050M THRU X*134M, X*024L THRU X*068L	CONDENSER FAN, 12 INCH DIAM., 23° PITCH, CCW	08221169	71
	EVAPORATOR FAN, 10 INCH DIAM., 31° PITCH, CW (FOR SP AND PSC MOTORS)	08221168	45
	EVAPORATOR FAN, 10 INCH DIAM., 30° PITCH, CW (FOR ECM MOTORS)	08221174	45
	ALL	HIGH PRESSURE CONTROL, 400 PSIG	08219424
XT050M THRU XT134M, XT024L THRU XT068L	CONDENSER MOTOR PRESSURE CONTROL	08219417	364
XT106M AND XT134M, XT051L AND 068L	CONDENSER MOTOR TEMPERATURE CONTROL	08219019	71
XN018L THRU X*068L	DEFROST HIGH LIMIT THERMOSTAT	103079003	116
XN050M AND XN024L	EVAPORATOR MOTOR RELAY, 115 VOLT COIL	08218979	47
X*050M THRU X*134M, X*024L THRU X*068L	EVAPORATOR MOTOR RELAY, 208-230 VOLT COIL	08218181	50
XN026M THRU XN037M, XN018L	COMPRESSOR CONTACTOR, 115 VOLT COIL	08218979	47
XN050M AND XN024L	COMPRESSOR CONTACTOR, 115 VOLT COIL	08219002	90
X*050M THRU X*134M, X*024L THRU X*068L	COMPRESSOR CONTACTOR, 208-230 VOLT COIL	08219018	97
ALL 115 VOLT FREEZERS	ELECTRONIC CONTROLLER, PROGRAMMED - LOW TEMP	08522796	608
ALL 208-230 VOLT FREEZERS	ELECTRONIC CONTROLLER, PROGRAMMED- LOW TEMP	08522797	608
ALL 115 VOLT COOLERS	ELECTRONIC CONTROLLER, PROGRAMMED - HIGH TEMP	08522798	608
ALL 208-230 VOLT COOLERS	ELECTRONIC CONTROLLER, PROGRAMMED - HIGH TEMP	08522799	608
ALL	ELECTRONIC CONTROLLER BOX AND DEFROST TEMPERATURE SENSOR	08219958	70
ALL	LATCHES FOR EVAPORATOR COVER	08326021	24
ALL	GASKET FOR TOP AND BOTTOM OF EVAPORATOR SECTION (ORDER/ FT)	08343051	17
XN026M THRU XN037M, XN018L	DEFROST HEATER, COIL, 400 WATTS, 22.5" LONG, 120V	08215137	249
XN050ME44A, XN024L	DEFROST HEATER, COIL, 375 WATTS, 26.5" LONG, 120V	08215144	229
X*050M THRU X*076M, X*024L THRU X*043L	DEFROST HEATER, COIL, 375 WATTS, 26.5" LONG, 240V	08215138	251
X*106M THRU X*134M, X*051L AND X*068L	DEFROST HEATER, COIL, 600 WATTS, 40.5" LONG, 240V	08215139	352
XN026M THRU XN037M, XN018L	DEFROST HEATER, DP, 400 WATTS, 19.5" LONG, 120V	08215140	230
XN050ME44A, XN024L	DEFROST HEATER, DP, 500 WATTS, 22.0" LONG, 120V	08215145	240
X*050M THRU X*076M, X*024L THRU X*043L	DEFROST HEATER, DP, 500 WATTS, 22.0" LONG, 240V	08215141	256
X*106M THRU X*134M, X*051L AND X*068L	DEFROST HEATER, DP, 600 WATTS, 35.0" LONG, 240V	08215142	305
XT050M THRU XT134M, XT024L THRU XT068L	DRAIN LINE HEATER	08215143	158
XT050M THRU XT134M, XT024L THRU XT068L	DRAIN LINE THERMOSTAT	103079003	116

\*\* REQUIRES THE PURCHASE OF A NEW MOTOR MOUNT (21062000) TO FIT THE MOTOR

**MOTOR CROSS-REFERENCE CHART**

MOTOR HP	VOLT	PH.	RPM	MODEL APPLICATION	PART	LIST	SHPG WT
					NUMBER	PRICE	LBS
43 WATTS (INPUT) CW ROTATION	115V	1	3000	FT, MDF, MUF, MTW, SL, TT	102249005	\$154	2
	230 V	1	3000		102249007	154	2
4 WATTS	115V	1	1550	HI, TW, WA, WE	103104002	126	2
9 WATTS	115V	1	1550	FL, FT, HI, TW, WA, WE	103104004	152	2
	230V	1	1550	FL, FT, HI, TW, WA, WE	103104005	152	2
16 WATTS (ALL ANGLE)	115 V	1	1550	AL, CTA, CTE, FL, FT, SL, ASL, WE	103104007	181	4
	230 V	1	1550		103104008	181	3
16 WATTS PSC (OPTIONAL no cap.)	115 V	1	1550	AL, CTA, CTE, FL, SL, ASL, WE	107933001	369	4
	230 V	1	1550		107933002	NLA	—
1/20 HP SHADED POLE	115 V	1	1550	ALL TEMP2, ALL TEMP <sup>2</sup> B & MINICON 1/2 - 2 HP	102540003	197	3
	230 V	1	1550		102540004*	197	3
	230 V	1	1550		102540004	213	3
	460 V	1	1550		102540005	292	3
1/20 HP PSC (OPTIONAL)	115 V	1	1550	ALL TEMP2, ALL TEMP <sup>2</sup> B MINICON (ONLY)	108178001	270	4
	230 V	1	1550		108178002	308	4
	230 V	1	1550		108178002	308	4
1/20 HP SHADED POLE	115 V	1	1550	HI, TW, WA, WE	102540001	197	3
	230 V	1	1550		102540002	213	3
1/15 HP SHADED POLE	115 V	1	1050	INTER TEMP Prior to April, 1994	NLA	—	—
	460 V	1	1050		NLA	—	—
1/12HP SHADED POLE	115 / 230 V	1	1050	HI, TW, WA, RAC	08216119	552	8
1/8 HP PSC	115 V	1	1075	INTER TEMP after March, 1996 (between 4/94 & 3/96 see page 9)	115248001	733	11
	230 V	1	1075		115248002	733	11
	460 V	1	1075		115248003	778	11
1/6 HP SHADED POLE	115/230V	1	1050	SU, HI, TW, RAC, RE, RC, RS, MINICON 3 HP	102542007 08216025	NLA NLA	— —
1/3 HP PSC	115 V	1	1075	SU Hi-Cap, UA, ASU, RC, REC, MINICON 4-6 HP	205051005	708	12
	230 V	1	1075		205051004	377	12
	460 V	1	1075		205051006	837	12
1/3 HP PSC LO-GREASE	115 V	1	1075	INTER-TEMP, ULTRA-TEMP	205051020	795	12
	230 V	1	1075		205051019	900	12
	460 V	1	1075		205051021	970	12
1/4HP (#130)	230 V	3	1140	SU, UA	NLA	—	—
	460 V	3	1140		NLA	—	—
1/3 HP	230/460 V	3	550	VRQ	119226000	1,198	13
3/4HP TEAO	230/460 V	3	1140	TD, CAC, VAC 5-19,	NLA	—	—
3/4HP PSC	230 V	1	1075	CAC, VAC 5-19, TD, RC, REC, DE, DS	205051009	993	18
	460 V	1	1075		205051002	1,068	17
3/4HP PSC	230 V	1	1075	CAC VARI SPEED	205051015	1,186	20
	460 V	1	1075		205051016	1,284	20
3/4HP PSC	208-230 V	1	1625	UT, ASU, AUT	205051007	993	18
	460 V	1	1625		205051008	1,068	17
3/4HP	230/460 V	3	1725	UT, ASU, AUT	123123000	1,073	18
3/4HP LO-GREASE	230/460 V	3	1725	UT, ASU, AUT	125101000	1,939	18
3/4HP PSC LO-GREASE	208-230 V	1	1075	UT, UA	118187000	1,224	18
	460 V	1	1075		118186000	1,402	17
1 HP	230/460 V	3	850	VEQ	114105000	2,163	24
1-1/2 HP	208-230/460 V	3	1140	VAC 22-144, CAC 56-72	110204000	1,553	37

\* Replacement for All- Temp models ONLY, see note below for MiniCon models

NLA - NO LONGER AVAILABLE



## PRINCIPAL TERMS AND CONDITIONS OF SALE

1. **Applicable Law and Terms of Sale:** All orders shall be subject to the following terms and conditions notwithstanding any additional or contrary printed terms and conditions of Buyer. Such additional or contrary terms shall not bind Seller unless accepted in writing even though such terms do not materially alter the terms hereof. No oral statements, warranties, stipulations, representations or terms shall have any binding effect or be any part of the contract whatsoever.
2. **Orders:** All orders must be in writing and will be binding when our order acknowledgment is mailed. Orders are accepted subject to strikes, fires, accidents, and other causes beyond our reasonable control. Acceptance of your order is conditioned upon an agreement to hold us harmless by reason of delivery delays.
3. **Prices:** Prices are subject to change without notice, and all quotations, unless otherwise specified, are binding only for immediate acceptance. Prices are based on material made to Seller's standard tolerances, unless otherwise specified.
4. **Freight:** All products are shipped FOB Point of Shipment with full freight allowed on single orders with a net price value of \$7000.00 or more, except surface coils and parts, within the continental USA (excluding Alaska and Hawaii). Routing and selection of carrier will be made by Seller. For special routing requests, Buyer will bear all additional costs for such routing. Equipment is shipped at Buyer's risk. Buyer should examine equipment before signing transportation receipt. If equipment is received damaged or if quantity received does not match freight bill, the Buyer should require agent to so indicate on freight bill and immediately file a damage/missing claim. Our liability ceases upon delivery of equipment in good order to the freight carrier.
5. **Taxes:** Any sales, use, excise, or similar tax payable by Seller which is or may be imposed by any taxing authority upon manufacture, sale or delivery of goods covered by any order or any increase in rate of any such tax now in force, shall be added to the sales price; if not collected at the time of payment of sales price, Buyer will hold Seller harmless.
6. **Limited Warranty:** Seller warrants against defect in materials and workmanship in products which it manufactures for (1) year from date of installation or up to (18) eighteen months from the date of shipment, whichever event occurs first, when properly installed and operated under normal use. This guarantee does not include any labor or other charges made outside of the Seller's factory for replacement or repair of defective parts unless specifically stated in the body of the Seller's invoice. On parts not manufactured by Seller, such as motors, controls, valves and compressors we extend to the Buyer the same warranties made to us by the manufacturer. Seller's only liability under this warranty or otherwise shall be the repair or replacement (at Seller's option) of non-conforming goods or parts. Seller assumes no liability for incidental or consequential damages such as injury to person or property, or lost profits.
7. **THIS GUARANTEE SUPERSEDES AND IS IN LIEU OF ANY AND ALL OTHER WARRANTIES BY LAW OR CUSTOM, EITHER EXPRESSED OR IMPLIED INCLUDING, BUT NOT LIMITED BY THIS ENUMERATION, ANY GUARANTEE AS TO QUALITY OR FITNESS FOR ANY PARTICULAR PURPOSE, EXCEPT AS SET FORTH ABOVE. NO PERSON, AGENT, OR DEALER IS AUTHORIZED TO GIVE ANY WARRANTIES ON BEHALF OF SELLER NOR TO ASSUME FOR SELLER ANY OTHER LIABILITY IN CONNECTION WITH ANY OF THE SELLER'S PRODUCTS.**
8. **Delivery:** Seller shall not be liable for any delays in or failure of delivery due to acts of God or public authority, labor disputes, accidents, fires, floods, extreme weather conditions, failure of and delays by carriers, shortages of material, delays of a supplier, and any other cause beyond Seller's control. In no event shall Seller be liable for consequential or special damages arising out of a delay in or failure of delivery. Failure to meet estimated ship dates will not be considered sufficient cause of cancellation of orders.
9. **Cancellations and Returned Goods:** Permission to return any part or product must be obtained from Seller and may be subject to a restocking charge. Credits for new material accepted for return will be at the original sales price or current market price, whichever is lower, less handling and restocking charges. Buyer must prepay all transportation charges. Any costs for putting material in condition for resale will be charged to the Buyer. Shipment of material returned without factory authorization or not properly tagged with a Return Material Authorization Number or not freight prepaid cannot be received by Seller. Obsolete products or material made to special order are not returnable.
10. **Catalog Materials and Drawings:** Seller is not responsible for typographical errors or other errors of omission in Seller's catalogs or drawings.
11. **Late Charge Provision:** Buyer agrees to pay a late charge of 1-1/2% per month (18% per year) for any invoice or bill not paid within (30) thirty days of the date of the billing invoice.
12. **Choices of law, Disputes:** This agreement and the performance of the parties hereunder shall be construed in accordance with and governed by the laws of the State of Georgia and shall be deemed made in the state. Buyer irrevocably consents to the exclusive jurisdiction of the courts of Fulton County, on all matters arising out of or relating to this sale and Buyer further irrevocably consents to service of process by certified mail, return receipt requested, at Buyer's address set forth in the order acknowledgement.

The above terms and conditions apply to all orders placed with the Seller. Buyer acknowledges having read and understood these terms and conditions and agrees to abide by them upon placement of any order with the Seller. In the event it becomes necessary to refer the account to a collection agency or to institute legal action to obtain payment of the account, Buyer agrees to pay all reasonable attorney fees and court costs incurred by such action.

