

LIST PRICES

August 2016

INDEX

AIR COOLED CONDENSERS

MultiCon Air Cooled Condenser - RDS, RDD	18
MultiCon Air Cooled Condenser - RAC, TD, VAC, VEQ, ACS, ACL	19
Multicon Computer Room Air Cooled Condenser - CAC	20

CONDENSING UNITS

MiniCon Air-Cooled Condensing Units - R*H, R*S, R*O, R*D	20
"D" Style Air-Cooled Condensing Units - DC, DE, DS, DL	21
Russette Air-Cooled Condensing Units - RC, RE, RS	21
Russcon Air-Cooled Condensing Units - H, L, M	21
"V" Style Air-Cooled Condensing Units - VC, VL, VS	21

FLUID COOLERS

MultiCon Air-Cooled Fluid Coolers - FVAC, FTD, FVAC	19-20
-----------------------------------------------------	-------

MOTORS

Motor Cross-Reference Chart	28
-----------------------------	----

WALK-IN / WAREHOUSE EVAPORATORS

Surveillant Demand Defrost Controller replacement Parts	3
All-Temp ² B - AA*B, AE*B, AG*B, AH*B	3
All-Temp ² - AA, AE, AG, AH	4
All-Temp - AL	5
All-TempB - AL*B	5
Ceiling-Temp - CTA, CTE	6

WALK-IN / WAREHOUSE EVAPORATORS cont.

Flow Temp - RWF models	6
Flow-Temp - FL, FL*(E), FL*(G), FL*(H)	7
Inter-Temp - ITA, ITE, ITG, ITH	8-9
Ultra-Temp - U*U, U*L, U*M, UAH	10-11

REACH - IN EVAPORATORS

ASL	13
FLEX AIR - FT	12
Hi-Temp - HI	12
MINI TWIN AIR - MTW	14
MULLION AIR - MDF, MUF	14
SLIM AIR - SL, SLA, SLE	14-15
T-TEMP - TT	16
TWIN Temp - TW	16
WALL-TEMP - WA	17
WEDGE-TEMP - WE	17

SYSTEMS

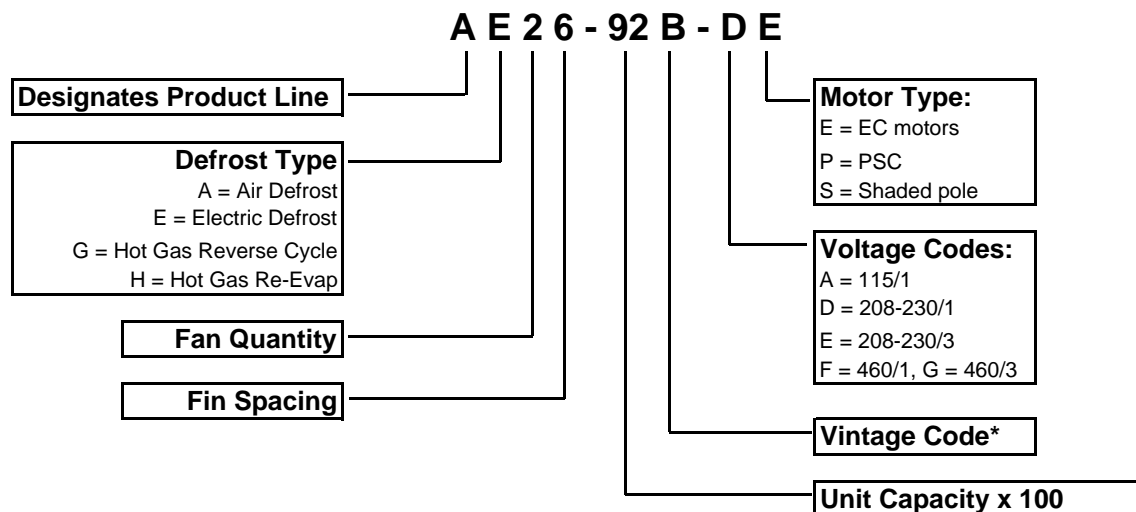
High Sierra (Low Temp)	22-23
High Sierra (Med. Temp)	24-26
APEX - XN, XT	27

ORDERING INFORMATION

1. All orders are subject to a \$50.00 net minimum billing.
2. All orders are subject to RUSSELL's Terms and Conditions of Sale.
3. All parts are shipped FOB point of shipping:
 - a.) Parts are typically shipped in cardboard cartons/unless size or weight will not permit.
 - b.) Any PARTS order that requires crating cannot be shipped by United Parcel Service.
 - c.) An example of parts that must be crated are metal components such as; venturi panels, drain pans, long defrost heaters.
 - d.) Defrost heaters are shipped straight whenever possible, all heaters are shipped with heater hooks.
 - e.) PSC motors are shipped less their capacitors, unless specifically ordered.
4. Warranty on all parts is 90 days from date of invoice.
5. When ordering replacement parts for a unit, if the exact part number is not available, it is very important that the complete model number, serial number, and voltage be provided. This information will help determine the exact vintage of the unit.

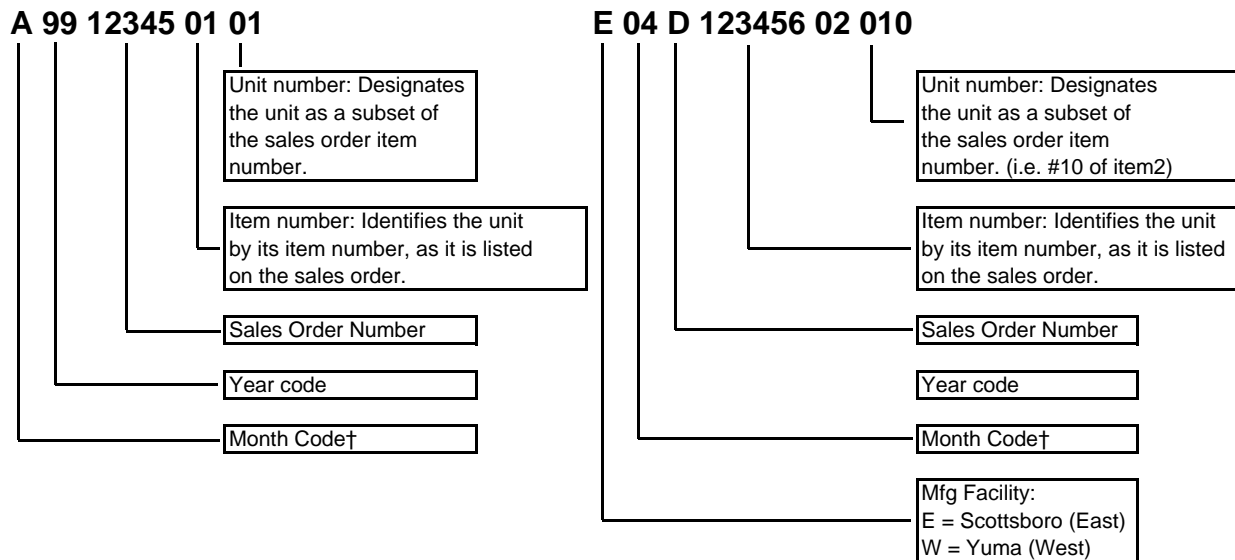
NOMENCLATURE

The following information can be derived by using the evaporator nomenclature; number of fans, fin spacing . The following example applies to Russell evaporators, with the exception of ASL and SL models which have their defrost designation in the suffix position.



* If an "X" is in the Vintage position, or at the beginning of the model number, the unit was built with a modification or special component that deviates from the standard description.

SERIAL NUMBERS



REPLACEMENT PARTS - LISTING BY PRODUCT MODEL NUMBER

ALL-TEMP²B - MODELS AA-B, AE-B, AG-B, AH-B (BUILT AFTER OCTOBER 1,1991)

MODEL NUMBER	DESCRIPTION	PART NUMBER	LIST PRICE
ALL "AE" MODELS	DEFROST CONTROL, DEFROST TERMINATION, (TIMER RESET) 2 WIRE	103079010	\$122
ALL "AE" MODELS	DEFROST CONTROL, FAN DELAY, 2 WIRE	103079009	122
1 - 6 FAN AE MODELS	HEATER SAFETY SWITCH, 2 WIRE	103079003	111
AE14-37B, AE16-36B,	DEFROST HEATER, CORE, 500 WATTS, 26-1/4" LENGTH, 208-230/460 V.	206240006	343
AE16-41B, AE16-46B	DEFROST HEATER, DRAIN PAN, 500 WATTS, 21" LENGTH, 208-230/460 V.	200172042	264
AE24-72B, AE24-85B,	DEFROST HEATER, CORE, 1000 WATTS, 44-1/4" LENGTH, 208-230/460 V.	206240008	294
AE26-92B	DEFROST HEATER, DRAIN PAN, 1000 WATTS, 39" LENGTH, 208-230/460 V.	200172044	274
AE26-60B, AE26-75B	DEFROST HEATER, CORE, 800 WATTS, 40-1/4" LENGTH, 208-230/460 V.	206240007	274
	DEFROST HEATER, DRAIN PAN, 800 WATTS, 35" LENGTH, 208-230/460 V.	200172043	264
AE34-105B, AE36-120B,	DEFROST HEATER, CORE, 1500 WATTS, 62-1/4" LENGTH, 208-230/460 V.	206240009	342
AE36-140B	DEFROST HEATER, DRAIN PAN, 1500 WATTS, 57" LENGTH, 208-230/460 V.	200172045	325
AE44-140B, AE46-164B,	DEFROST HEATER, CORE, 2000 WATTS, 80-1/4" LENGTH, 208-230/460 V.	206240010	435
AE46-185B	DEFROST HEATER, DRAIN PAN, 2000 WATTS, 75" LENGTH, 208-230/460 V.	200172046	414
AE54-180B, AE56-210B	DEFROST HEATER, CORE, 2500 WATTS, 97-3/4" LENGTH, 208-230/460 V.	206240011	505
	DEFROST HEATER, DRAIN PAN, 2500 WATTS, 93" LENGTH, 208-230/460 V.	200172047	467
AE64-215B, AE66-245B,	DEFROST HEATER, CORE, 3000 WATTS, 115-3/4" LENGTH, 208-230/460 V.	206240012	535
AE66-280B	DEFROST HEATER, DRAIN PAN, 3000 WATTS, 111" LENGTH, 208-230/460 V.	200172048	524
1 FAN AA, & AE MODELS	DRAIN PAN, 27" LENGTH	20927501	351
AA28-76B, -97B, -122B,	DRAIN PAN, 41" LENGTH	20927502	395
AA26-70B, -87B, AE26-60B, 26-75B			
AA28-106B, -134B, AA26-115B	DRAIN PAN, 45" LENGTH	20927503	395
AE26-92B, AE24-72B, -85B			
3 FAN AA & AE MODELS	DRAIN PAN, 63" LENGTH	20927601	436
4 FAN AA & AE MODELS*	DRAIN PAN, 81" LENGTH	20927602	608
5 FAN AA & AE MODELS*	DRAIN PAN, 99" LENGTH	20927701	666
6 FAN AA & AE MODELS*	DRAIN PAN, 117" LENGTH	20927702	718
ALL-TEMP ² B MODELS (SP & PSC)	FAN BLADE, 12" DIAM., 24° PITCH, CW (For use with Shaded Pole & PSC motors)	107943000	71
1 - 3 FAN AE MODELS	FAN GUARD, PLASTIC, LOW THROW - NO LONGER AVAILABLE	NLA	—
ALL MODELS (OPTIONAL)	FAN GUARD, PLASTIC, HIGH THROW, BLACK, 12"	205925001	123
ALL MODELS (OPTIONAL)	FAN GUARD, WIRE, EPOXY COATED, BLUE, 12"	NLA	—
ALL MODELS	FAN GUARD, PLASTIC, BLACK, 12"	119647000	88
ALL MODELS	FAN GUARD, WIRE, EPOXY COATED, BLACK, 12"	201006011	88
ALL-TEMP MODELS (SP & PSC)	MOTOR MOUNT (For use with Shaded Pole & PSC motors)	21062000	122
ALL-TEMP ² B MODELS	MOTOR, SHADED POLE, 1/20 HP, 1550 RPM, 115 V.	102540003	189
	MOTOR, SHADED POLE, 1/20 HP, 1550 RPM, 208-230 V.	102540004	189
	MOTOR, SHADED POLE, 1/20 HP, 1550 RPM, 460 V.	102540005	280
ALL-TEMP ² B MODELS	MOTOR, PSC, 1/20 HP, 1550 RPM, 115 V., (3 MFD CAPACITOR NOT INCLUDED)	108178001	259
	MOTOR, PSC, 1/20 HP, 1550 RPM, 230 V., (2 MFD CAPACITOR NOT INCLUDED)	108178002	296
	CAPACITOR, 3 MFD, FOR 1/20 115 V. PSC MOTOR	202163010	40
	CAPACITOR, 2 MFD, FOR 1/20 230 V. PSC MOTOR	202163009	45
ALL-TEMP ² B MODELS (EC Motor)	FAN BLADE, 12" DIAM., 24° PITCH, CW (For use with EC Motors)	08221175	67
ALL-TEMP ² B MODELS (EC Motor)	MOTOR MOUNT LEG (For use with EC Motors) (3 required for complete mount)	08522938	38
EC MOTORS FOR	MOTOR, ECM, 50 WATT, 1550 RPM, 115 V, CCW	08216124	579
ALL-TEMP ² B MODELS	MOTOR, ECM, 50 WATT, 1550 RPM, 230 V, CCW	08216125	610
ECM RETRO-FIT KIT FOR	115 V MOTOR, KIT INCLUDES MOTOR, HARDWARE, MOUNT, & BLADE	08523048	818
ALL-TEMP ² B MODELS	230 V MOTOR, KIT INCLUDES MOTOR, HARDWARE, MOUNT, & BLADE	08523049	871

* ALL 4 - 6 FAN MODEL DRAIN PANS MUST VIA COMMON CARRIER ONLY, NO UPS.

NLA - NO LONGER AVAILABLE

Surveillant Demand Defrost Controller replacement Parts

Demand Defrost Control parts	Surveillant Evaporator Control	08219537	2343
	Electronic Expansion Valve - less cable	08219539	453
	EEV power cable for AA/AE evaporator	08219516	231
	EEV Power Cable for CTA/CTE evaporators	08219517	229
	Return Air Temperature Sensor for AA/AE	08219522	133
	Return Air Temperature Sensor for CTA/CTE	08219523	133
	Air sensor mounting wire	08219978	9
	Coil Temperature sensor for AA/AE	08219524	133
	Coil Temperature sensor for CTA/CTE	08219525	133
	Coil Temperature sensor for CTA/CTE (AUX)	08219526	133
	Suction Temperature sensor for AA/AE	08219520	133
	Suction Temperature sensor for CTA/CTE	08219521	133
	Transducer only - No cable	08219981	356
	Transducer Cable for AA/AE evaporators	08219518	186
	Transducer Cable for CTA/CTE	08219519	186
	Strain relief wire	08219528	3
	Smartgate Router	08219541	2778

ALL-TEMP²B - MODELS AA-B, AE-B, AG-B, AH-B (BUILT AFTER APRIL, 2004)
HINGED END PANEL UNITS (REPLACEMENT HOUSING)

MODEL NUMBER	DESCRIPTION	PART NUMBER	LIST PRICE
1 FAN AA, & AE MODELS	VENTURI, 20" LENGTH	08519104	297
AA28-76B, -97B, -122B, AA26-70B, -87B, AE26-60B, AE26-75B	VENTURI, 34" LENGTH	08519241	318
AA28-106B, -134B, AA26-115B AE26-92B, AE24-85B	VENTURI, 38" LENGTH	08519242	318
3 FAN AA & AE MODELS	VENTURI, 56" LENGTH	08519243	332
4 FAN AA & AE MODELS	VENTURI, 74" LENGTH	08519244	351
5 FAN AA & AE MODELS	VENTURI, 92" LENGTH	08519245	369
6 FAN AA & AE MODELS	VENTURI, 110" LENGTH	08519246	384
SHORT (ELECTRICAL END)	HINGED END PANEL	08518612	135
LONG (HEADER END)	HINGED END PANEL	08518613	135

**FOLLOWING HOT GAS DRAIN PANS ARE FOR UNITS PRODUCED AFTER AUGUST 3, 1992 .
FOR EARLIER VINTAGE USE THE ABOVE LISTED AA/AE DRAIN PANS.**

MODEL NUMBER	DESCRIPTION	PART NUMBER	LIST PRICE
1 FAN AG, & AH MODELS	DRAIN PAN, 27" LENGTH - AFTER 8/3/92, ELSE USE EQUIV. AA/AE DRAIN PAN	20935800	351
AG26-60B, AH26-60B, AG26-75B, AH26-75B	DRAIN PAN, 41" LENGTH - AFTER 8/3/92, ELSE USE EQUIV. AA/AE DRAIN PAN	20935900	395
AG26-92B, AH26-92B	DRAIN PAN, 45" LENGTH - AFTER 8/3/92, ELSE USE EQUIV. AA/AE DRAIN PAN	20936000	395
3 FAN AG, & AH MODELS	DRAIN PAN, 63" LENGTH - AFTER 8/3/92, ELSE USE EQUIV. AA/AE DRAIN PAN	20936100	436
4 FAN AG, & AH MODELS*	DRAIN PAN, 81" LENGTH - AFTER 8/3/92, ELSE USE EQUIV. AA/AE DRAIN PAN	20936200	608
5 FAN AG, & AH MODELS*	DRAIN PAN, 99" LENGTH - AFTER 8/3/92, ELSE USE EQUIV. AA/AE DRAIN PAN	20936300	666
6 FAN AG, & AH MODELS*	DRAIN PAN, 117" LENGTH - AFTER 8/3/92, ELSE USE EQUIV. AA/AE DRAIN PAN	20936400	718

* ALL 4 - 6 FAN MODEL DRAIN PANS SHIP VIA COMMON CARRIER ONLY, NO UPS.

ALL- TEMP² - MODELS AA, AE, AG, AH (BUILT BEFORE OCTOBER 1,1991)

1 - 3 FAN AE MODELS	DEFROST CONTROL, NON-ADJUSTABLE, 3 WIRE	103079005	\$122
4 - 6 FAN AE MODELS	DEFROST CONTROL, ADJUSTABLE, RANCO F-25	204464037	325
1 - 6 FAN AE MODELS	HEATER SAFETY SWITCH, 2 WIRE	103079003	111
AE16-36	DEFROST HEATER, CORE, 1000 WATTS, 26" LENGTH, 208-230 V.	NLA	—
AE16-36	DEFROST HEATER, CORE, 1000 WATTS, 26" LENGTH, 460 V.	NLA	—
AE16-46, AE16-41, AE14-37	DEFROST HEATER, CORE, 500 WATTS, 26-1/4" LENGTH, 208-230/460 V.	206240006	343
	DEFROST HEATER, DRAIN PAN, 500 WATTS, 21" LENGTH, 208-230/460 V.	200172042	264
AE26-60	DEFROST HEATER, CORE, 2000 WATTS, 40-1/4" LENGTH, 208-230/460 V.	NLA	—
	DEFROST HEATER, DRAIN PAN, 800 WATTS, 35" LENGTH, 208-230/460 V.	200172043	264
AE26-75	DEFROST HEATER, CORE, 800 WATTS, 40-1/4" LENGTH, 208-230/460 V.	206240007	274
	DEFROST HEATER, DRAIN PAN, 800 WATTS, 35" LENGTH, 208-230/460 V.	200172043	264
AE26-92,AE24-85, AE24-72	DEFROST HEATER, CORE, 1000 WATTS, 44-1/4" LENGTH, 208-230/460 V.	206240008	294
	DEFROST HEATER, DRAIN PAN , 1000 WATTS, 39" LENGTH, 208-230/460 V.	200172044	274
AE36-140,AE36-120, AE34-105	DEFROST HEATER, CORE, 1500 WATTS, 62-1/4" LENGTH, 208-230/460 V.	206240009	342
	DEFROST HEATER, DRAIN PAN, 1500 WATTS, 57" LENGTH, 208-230/460 V.	200172045	325
AE46-164, AE46-185, AE44-140	DEFROST HEATER, CORE, 2000 WATTS, 80-1/4" LENGTH, 208-230/460 V.	206240010	435
	DEFROST HEATER, DRAIN PAN, 2000 WATTS, 75" LENGTH, 208-230/460 V.	200172046	414
AE56-210, AE54-180	DEFROST HEATER, CORE, 2500 WATTS, 97-3/4" LENGTH, 208-230/460 V.	206240011	505
	DEFROST HEATER, DRAIN PAN, 2500 WATTS, 93" LENGTH, 208-230/460 V.	200172047	467
AE66-280, AE66-245, AE64-215	DEFROST HEATER, CORE, 3000 WATTS, 115-3/4" LENGTH, 208-230/460 V.	206240012	535
	DEFROST HEATER, DRAIN PAN, 3000 WATTS, 111" LENGTH, 208-230/460 V.	200172048	524
ALL ALL-TEMP2 MODELS	FAN BLADE, 12" DIAM., 24° PITCH, CW	107943000	71
1 - 3 FAN AE MODELS	FAN GUARD, PLASTIC, LOW THROW - NO LONGER AVAILABLE, SUBSTITUTE WIRE, EPOXY COATED, 12" FAN GUARD	201006011	88
4 - 6 FAN AE MODELS	FAN GUARD, PLASTIC, HIGH THROW, BLACK, 12"	205925001	123
ALL MODELS	FAN GUARD, WIRE, EPOXY COATED, 12"	NLA	—
ALL MODELS	MOTOR MOUNT	21062000	122
ALL MODELS (OPTIONAL)	MOTOR, PSC, 1/20 HP, 1550 RPM, 115 V., (3 MFD CAPACITOR NOT INCLUDED)	108178001	259
	MOTOR, PSC, 1/20 HP, 1550 RPM, 230 V., (2 MFD CAPACITOR NOT INCLUDED)	108178002	296
	CAPACITOR, 3 MFD, FOR 1/20 115 V. PSC MOTOR	202163010	40
	CAPACITOR, 2 MFD, FOR 1/20 230 V. PSC MOTOR	202163009	45
ALL MODELS	MOTOR, SHADED POLE, 1/20 HP, 1550 RPM, 115 V.	102540003	189
	MOTOR, SHADED POLE, 1/20 HP, 1550 RPM, 208-230 V.	102540004	189
	MOTOR, SHADED POLE, 1/20 HP, 1550 RPM, 460 V.	102540005	280

* ALL 4 - 6 FAN MODEL DRAIN PANS MUST VIA COMMON CARRIER ONLY, NO UPS.

NLA - NO LONGER AVAILABLE

† NOT STOCKED - MANUFACTURED PART.

ALL- TEMP - MODELS AL (BUILT BEFORE JUNE 1990)

MODEL NUMBER	DESCRIPTION	PART NUMBER	LIST PRICE
AL14-34, AL15-41, AL16-46	DEFROST HEATERS, CORE, 780 WATTS, 20" LENGTH, 208-230 V. (2 REQ'D)	200172021	\$206
	DRAIN PAN (13-1/4" width)	NLA	—
AL24-40, AL25-50, AL26-46	DEFROST HEATER, CORE, 1550 WATTS, 38" LENGTH, 208-230 V.	200172024	274
	DEFROST HEATER, CORE, 1550 WATTS, 38" LENGTH, 460 V.	NLA	—
	DRAIN PAN (13-1/4" width)	NLA	—
AL24-53, AL24-68, AL25-64 AL25-82, AL26-72, AL26-56, AL26-92, XAL28-104E	DEFROST HEATERS, CORE, 1550 WATTS, 38" LENGTH, 208-230 V. (2 REQ'D)	200172024	274
	DEFROST HEATERS, CORE, 1550 WATTS, 38" LENGTH, 460 V. (2 REQ'D)	NLA	—
	DRAIN PAN (13-1/4" width)	NLA	—
AL34-80, AL34-102, AL34-111 AL35-96, AL35-123, AL36-110, AL36-139	DEFROST HEATERS, CORE, 2200 WATTS, 56" LENGTH, 208-230 V. (2 REQ'D)	200172027	325
	DEFROST HEATERS, CORE, 2200 WATTS, 56" LENGTH, 460 V. (2 REQ'D)	NLA	—
	DRAIN PAN (13-1/4" width)	NLA	—
AL44-136, AL45-164, AL46-185	DEFROST HEATERS, CORE, 1220 WATTS, 30" LENGTH, 208-230 V. (2 REQ'D)	200172023	305
	DEFROST HEATERS, CORE, 1760 WATTS, 42" LENGTH, 208-230 V. (2 REQ'D)	200172025	566
	DEFROST HEATERS, CORE, 1220 WATTS, 30" LENGTH, 460 V. (2 REQ'D)	NLA	—
	DEFROST HEATERS, CORE, 1760 WATTS, 42" LENGTH, 460 V. (2 REQ'D)	NLA	—
	DRAIN PAN* (13-1/4" width)	NLA	—
AL54-170, AL55-205, AL56-230	DEFROST HEATERS, CORE, 1760 WATTS, 42" LENGTH, 208-230 V. (2 REQ'D)	200172025	566
	DEFROST HEATERS, CORE, 1970 WATTS, 48" LENGTH, 208-230 V. (2 REQ'D)	200172026	294
	DEFROST HEATERS, CORE, 1760 WATTS, 42" LENGTH, 460 V. (2 REQ'D)	NLA	—
	DEFROST HEATERS, CORE, 1970 WATTS, 48" LENGTH, 460 V. (2 REQ'D)	NLA	—
	DRAIN PAN* (13-1/4" width)	NLA	—
AL64-204, AL65-246, AL66-276	DEFROST HEATERS, CORE, 1970 WATTS, 48" LENGTH, 208-230 V. (2 REQ'D)	200172026	294
	DEFROST HEATERS, CORE, 2480 WATTS, 60" LENGTH, 208-230 V. (2 REQ'D)	200172028	325
	DEFROST HEATERS, CORE, 1970 WATTS, 48" LENGTH, 460 V. (2 REQ'D)	NLA	—
	DEFROST HEATERS, CORE, 2480 WATTS, 60" LENGTH, 460 V. (2 REQ'D)	200172018	474
	DRAIN PAN* (13-1/4" width)	NLA	—
ALL MODELS	DEFROST CONTROL, NON-ADJUSTABLE, 3 WIRE	103079002	122
ALL MODELS	FAN BLADE, 10" DIAM., 31° PITCH, CW, HUBLESS	204395017	42
ALL MODELS	FAN GUARD, PLASTIC, HI-THROW 10" ROUND	NLA	—
ALL MODELS	FAN GUARD, WIRE, EPOXY COATED, BLACK, 10"	08397002	88
ALL MODELS	FAN GUARD, WIRE, EPOXY COATED, WHITE, 10"	08397053	88
ALL MODELS	MOTOR MOUNT	10243000	88
ALL MODELS	MOTOR, SHADED POLE, 16 WATT, 1550 RPM, 115 V. CCW	103104007	174
	MOTOR, SHADED POLE, 16 WATT, 1550 RPM, 230 V. CCW	103104008	174

* ALL 4 - 6 FAN MODEL DRAIN PANS SHIP VIA COMMON CARRIER ONLY, NO UPS.

NLA - NO LONGER AVAILABLE

ALL-TEMP - MODELS AL-B (BUILT AFTER JUNE 1990)

MODEL NUMBER	DESCRIPTION	PART NUMBER	LIST PRICE
AL14-34B, AL15-41B, AL16-46B	DEFROST HEATER, CORE, 500 WATTS, 24" LENGTH, 208-230/460 V.	206240006	\$343
	DEFROST HEATERS, DRAIN PAN, 500 WATTS, 20" LENGTH, 208-230/460 V.	200172042	264
	DRAIN PAN (9-1/4" WIDTH)	NLA	—
AL24-40B, AL24-53B, AL25-50B, AL25-64B, AL26-56B, AL26-72B	DEFROST HEATER, CORE, 2000 WATTS, 43" LENGTH, 208-230 V.	206240014	305
	DEFROST HEATER, CORE, 2000 WATTS, 43" LENGTH, 460 V.	NLA	—
	DRAIN PAN (9-1/4" WIDTH)	NLA	—
AL24-68B, AL25-82B, AL26-92B	DEFROST HEATER, CORE, 1000 WATTS, 44-1/4" LENGTH, 208-230/460 V.	206240008	294
	DEFROST HEATERS, DRAIN PAN, 1000 WATTS, 38" LENGTH, 208-230/460 V.	200172044	274
	DRAIN PAN (9-1/4" WIDTH)	NLA	—
AL34-80B, AL34-102B, AL34-111B AL35-96B, AL35-123B, AL36-110B, AL36-139B	DEFROST HEATER, CORE, 1500 WATTS, 62" LENGTH, 208-230/460 V.	206240009	342
	DEFROST HEATERS, DRAIN PAN, 1500 WATTS, 56" LENGTH, 208-230/460 V.	200172045	325
	DRAIN PAN (9-1/4" WIDTH)	NLA	—
AL44-136B, AL45-164B, AL46-185B	DEFROST HEATER, CORE, 2000 WATTS, 80-1/4" LENGTH, 208-230/460 V.	206240010	435
	DEFROST HEATERS, DRAIN PAN, 2000 WATTS, 74" LENGTH, 208-230/460 V.	200172046	414
	DRAIN PAN* (9-1/4" WIDTH)	NLA	—
AL54-170B, AL55-205B, AL56-230B	DEFROST HEATER, CORE, 2500 WATTS, 96" LENGTH, 208-230/460 V.	206240011	505
	DEFROST HEATERS, DRAIN PAN, 2500 WATTS, 92" LENGTH, 208-230/460 V.	200172047	467
	DRAIN PAN* (9-1/4" WIDTH)	NLA	—
AL64-204B, AL65-246B, AL66-276B	DEFROST HEATER, CORE, 3000 WATTS, 115-3/4" LENGTH, 208-230/460 V.	206240012	535
	DEFROST HEATERS, DRAIN PAN, 3000 WATTS, 100" LENGTH, 208-230/460 V.	200172048	524
	DRAIN PAN* (9-1/4" WIDTH)	NLA	—
ALL MODELS	DEFROST CONTROL, NON-ADJUSTABLE, 3 WIRE	103079002	122
ALL MODELS	FAN BLADE, 10" DIAM., 31° PITCH, CW, HUBLESS	NLA	—
ALL MODELS	FAN GUARD, WIRE, EPOXY COATED, BLACK, 10"	08397002	88
ALL MODELS	FAN GUARD, WIRE, EPOXY COATED, WHITE, 10"	08397053	88
ALL MODELS	FAN GUARD, PLASTIC, HI-THROW 10" ROUND	NLA	—
ALL MODELS	MOTOR MOUNT	10243000	88
ALL MODELS	MOTOR, SHADED POLE, 16 WATT, 1550 RPM, 115 V. CCW	103104007	174
	MOTOR, SHADED POLE, 16 WATT, 1550 RPM, 230 V. CCW	103104008	174

* ALL 4 - 6 FAN MODEL DRAIN PANS SHIP VIA COMMON CARRIER ONLY, NO UPS.

NLA - NO LONGER AVAILABLE

CEILING TEMP - MODELS CTA, CTE

MODEL NUMBER	DESCRIPTION	PART NUMBER	LIST PRICE
ALL MODELS	DEFROST CONTROL, DEFROST TERMINATION, (TIMER RESET) 2 WIRE	103079010	\$122
ALL MODELS	DEFROST CONTROL, FAN DELAY, 2 WIRE	103079009	122
CTE34-48, CTE34-58, CTE34-65, CTE36-53, CTE36-62, CTE36-69	DEFROST HEATERS, CORE, 1037 WATTS, 55" LENGTH, 208-230/460 V. (2 REQ'D)	208579001	340
CTE44-72, CTE44-84, CTE44-95, CTE46-77, CTE46-90, CTE46-100	DEFROST HEATERS, 1490 WATTS, 79" LENGTH, 208-230/460 V. (2 REQ'D)	208579002	463
CTE54-115, CTE44-128, CTE44-152, CTE54-145, CTE64-173, CTE56-125, CTE46-140, CTE56-160, CTE66-218	DEFROST HEATERS, 1943 WATTS, 103 LENGTH, 208-230/460 V. (2 REQ'D)	208579003	510

SPECIFY DRAIN CONNECTION LOCATION WHEN ORDERING CTA/CTE DRAIN PANS, BOTTOM OR SIDE.*

ALL 3 FAN CTA/CTE MODELS	DRAIN PAN, 58-1/2 LENGTH, SPECIFY DRAIN CONNECTION LOCATION	20860901	487
ALL 4 FAN CTA/CTE MODELS EXCEPT AS FOLLOWS	DRAIN PAN, 82-1/2 LENGTH, SPECIFY DRAIN CONNECTION LOCATION	20861001	619
CTA46-190, CTA48-210, CTE44-128, CTE46-140	DRAIN PAN, 106-1/2 LENGTH, SPECIFY DRAIN CONNECTION LOCATION	20861101	712
ALL 5 FAN CTA/CTE MODELS	DRAIN PAN, 106-1/2 LENGTH, SPECIFY DRAIN CONNECTION LOCATION	20861201	712
ALL 6 FAN CTA/CTE MODELS	DRAIN PAN, 106-1/2 LENGTH, SPECIFY DRAIN CONNECTION LOCATION	20861301	740
ALL MODELS	FAN BLADE, 10" DIAM., 31° PITCH, CCW, HUBLESS	204395018	47
ALL MODELS	FAN GUARD, PLASTIC, 12" (BLACK)	119647000	88
ALL MODELS (OPTIONAL)	FAN GUARD, WIRE, EPOXY COATED, 12", (BLACK) [OPTIONAL]	201006011	88
ALL MODELS	HEATER SAFETY SWITCH, 2 WIRE	103079003	111
ALL MODELS (OPTIONAL)	MOTOR, SHADED POLE , 16 WATT, 1550 RPM, 115 V.	103104007	174
Shaded Pole Motors	MOTOR, SHADED POLE , 16 WATT, 1550 RPM, 230 V.	103104008	174
ALL MODELS (OPTIONAL)	MOTOR, PSC , 16 WATT, 1550 RPM, 115 V.	107933001	354
Permanent Split Capacitor Motors	CAPACITOR, 5 MFD, FOR 16 WATT 115 V. PSC MOTOR	202163004	42
	MOTOR, PSC , 16 WATT, 1550 RPM, 230 V. (No longer available. Use 107933003)	107933002	NLA
	CAPACITOR, 1.2 MFD, FOR 16 WATT 230 V. PSC MOTOR (Not required for 107933003)	202163015	45
ALL MODELS	MOTOR, ECM, 16 WATT, 1550 RPM, 115V	107933006	616
EC MOTORS	MOTOR, ECM, 16 WATT, 1550 RPM, 230V	107933003	639
ALL MODELS	MOTOR, MOUNT	10243000	88

* ALL CEILING-TEMP DRAIN PANS SHIP VIA COMMON CARRIER ONLY, NO UPS.

FLOW TEMP — MODELS RWF

RWF050, 100, 130, 160, 190, 220, 270, 340	115/230 VOLT - FAN BLADE, 10 IN. DIA., 31° PITCH, CCW, HUBLESS	204395018	\$47
RWF - 075	115/230 VOLT - FAN BLADE, 10 IN. DIA., 20° PITCH, CCW, HUBLESS	204395016	47
RWF-050, 100, 130, 160, 190, 220, 270, 340	460V - FAN BLADE, 10 IN. DIA., 28° PITCH, CCW	08221007	47
RWF - 075	460V - FAN BLADE, 10 IN. DIA., 13° PITCH, CCW	08221005	47
All Models	FAN GUARD, 12 IN. BLACK PLASTIC	119647000	88
	MOTOR MOUNT (Except for 460V PSC motor, See Below)	10243000	88
All Models - EC MOTORS	MOTOR, EC, 16W, 1550 RPM, 115V	107933006	616
	MOTOR, EC, 16W, 1550 RPM, 230V	107933003	639
	MOTOR MOUNT	10243000	88
All Models - PSC MOTORS (Optional)	MOTOR, PSC, 16 WATT, 1550 RPM, 115 V.	107933001	354
	CAPACITOR, 5 MFD, FOR 16 WATT 115 V. PSC MOTOR	202163004	42
	MOTOR, PSC, 16W, 1550 RPM, 460V	08216135	461
	MOTOR MOUNT, 460V PSC	0825489400	88
All Models - SHADED POLE MOTORS (Optional)	MOTOR, SHADED POLE, 16 WATT, 1550 RPM, 115 V.	103104007	174
	MOTOR, SHADED POLE, 16 WATT, 1550 RPM, 230 V.	103104008	174
RWF - 050	DRAIN PAN/VENTURI PANEL	0852507601	409
RWF - 075, 100	DRAIN PAN/VENTURI PANEL, 2 FAN	0852507701	561
RWF - 130, 160	DRAIN PAN/VENTURI PANEL, 3 FAN	0852507801	621
RWF - 190, 220	DRAIN PAN/VENTURI PANEL, 4 FAN	0852507901	712
RWF - 270	DRAIN PAN/VENTURI PANEL, 5 FAN	0852508001	809
RWF - 340	DRAIN PAN/VENTURI PANEL, 6 FAN	0852508101	881
RWF - 050 (Optional)	DRAIN PAN/VENTURI PANEL, 1 FAN, WHITE PAINTED	0852507607	612
RWF - 075, 100 (Optional)	DRAIN PAN/VENTURI PANEL, 2 FAN, WHITE PAINTED	0852507707	772
RWF - 130, 160 (Optional)	DRAIN PAN/VENTURI PANEL, 3 FAN, WHITE PAINTED	0852507807	939
RWF - 190, 220 (Optional)	DRAIN PAN/VENTURI PANEL, 4 FAN, WHITE PAINTED	0852507907	947
RWF - 270 (Optional)	DRAIN PAN/VENTURI PANEL, 5 FAN, WHITE PAINTED	0852508007	1,052
RWF - 340 (Optional)	DRAIN PAN/VENTURI PANEL, 6 FAN, WHITE PAINTED	0852508107	1,125
RWF - 050	DEFROST HEATER 545W, 42 IN. LONG (2 PER UNIT)	0821500901	315
RWF - 075, 100	DEFROST HEATER 545W, 61 IN. LONG (2 PER UNIT)	0821500902	336
RWF - 130, 160, 190, 220	DEFROST HEATER 1305W, 79 IN. LONG (2 PER UNIT)	0821500903	388
RWF - 270	DEFROST HEATER 2180W, 90 IN. LONG (2 PER UNIT)	0821500904	439
RWF - 340	DEFROST HEATER 2725W, 114 IN. LONG (2 PER UNIT)	0821500905	497
All Electric and Hot Gas Defrost Models	DEFROST CONTROL, TERMINATION (STANDARD)	103079010	122
	DEFROST CONTROL, ADJUSTABLE (OPTIONAL)	204464037	325
	DEFROST CONTROL, HEATER SAFETY (STANDARD)	103079003	111

FLOW TEMP - MODELS FL, FL-E, FL-G, FL-H

MODEL NUMBER	DESCRIPTION	PART NUMBER	LIST PRICE
ALL MODELS	DEFROST CONTROL, DEFROST TERMINATION, (TIMER RESET) 2 WIRE	103079010	\$122
ALL MODELS	DEFROST CONTROL, FAN DELAY, 2 WIRE	103079009	122
ALL 2 FAN MODELS, FL36-100, FL36-135, FL46-180 MODELS	FAN BLADES, 10" DIAM., 20° PITCH, CCW, HUBLESS	204395016	47
ALL FL36-160, FL46-220, FL46-265 AND FL56-370	FAN BLADES, 10" DIAM., 31° PITCH, CCW, HUBLESS	204395018	47
ALL FL MODELS	FAN GUARD, PLASTIC, 12" (BLACK)	119647000	88
ALL FL MODELS	FAN GUARD, WIRE, EPOXY COATED, 12" (BLUE)	201006011	88
ALL FL MODELS	FAN GUARD, WIRE, EPOXY COATED, 12" (BLACK)	201006011	88
ALL FL MODELS	HEATER SAFETY SWITCH, 2 WIRE	103079003	111
ALL FL MODELS	MOTOR MOUNT	10243000	88
ALL 2 FAN MODELS AND	MOTOR, SHADED POLE , 9 WATT, 1550 RPM, 115 V.	103104004	146
ALL FL36-100 MODELS	MOTOR, SHADED POLE , 9 WATT, 1550 RPM, 230 V.	20192600	146
FL36-135, FL36-160 MODELS	MOTOR, SHADED POLE , 16 WATT, 1550 RPM, 115 V.	103104007	174
ALL 4 AND 5 FAN MODELS	MOTOR, SHADED POLE , 16 WATT, 1550 RPM, 230 V.	103104008	174
ALL FL MODELS (OPTIONAL)	MOTOR, PSC , 16 WATT, 1550 RPM, 115 V.	107933001	354
Permanent Split Capacitor Motors	CAPACITOR, 5 MFD, FOR 16 WATT 115 V. PSC MOTOR	202163004	42
	MOTOR, PSC , 16 WATT, 1550 RPM, 230 V., (No Longer Available. use 107933003)	107933002	NLA
	CAPACITOR, 1.2 MFD, FOR 16 WATT 230 V. PSC MOTOR (Not required for 107933003)	202163015	45
ALL MODELS	MOTOR, ECM , 16 WATT, 1550 RPM, 115V	107933006	616
EC MOTOR	MOTOR, ECM , 16 WATT, 1550 RPM, 230V	107933003	639

FOLLOWING HEATERS ARE FOR UNITS PRODUCED BEFORE APRIL 1, 1988.

FL26-67E	DEFROST HEATERS, CORE, 1970 WATTS, 48" LENGTH, 208-230 V. (2 REQ'D)	200172026	294
	DEFROST HEATERS, CORE, 1970 WATTS, 48" LENGTH, 460 V. (2 REQ'D)	200172016	NLA
FL36-100E, FL36-135E, FL36-160E	DEFROST HEATERS, CORE, 1220 WATTS, 30" LENGTH, 208-230 V (2 REQ'D)	200172023	305
	DEFROST HEATERS, CORE, 1760 WATTS, 42" LENGTH, 208-230 V. (2 REQ'D)	200172025	566
	DEFROST HEATERS, CORE, 1220 WATTS, 30" LENGTH, 460 V. (2 REQ'D)	200172013	NLA
	DEFROST HEATERS, CORE, 1760 WATTS, 42" LENGTH, 460 V. (2 REQ'D)	200172015	NLA
FL46-180E, FL46-220E, FL46-265E	DEFROST HEATERS, CORE, 1550 WATTS, 38" LENGTH, 208-230 V (2 REQ'D)	200172024	274
	DEFROST HEATERS, CORE, 2480 WATTS, 60" LENGTH, 208-230 V. (2 REQ'D)	200172028	325
	DEFROST HEATERS, CORE, 1760 WATTS, 42" LENGTH, 460 V. (2 REQ'D)	200172015	NLA
	DEFROST HEATERS, CORE, 2200 WATTS, 56" LENGTH, 460 V. (2 REQ'D)	200172017	474

FOLLOWING HEATERS ARE FOR UNITS PRODUCED BETWEEN APRIL 1, 1988 AND APRIL 1, 1994

FL26-67E	DEFROST HEATERS, CORE, 1970 WATTS, 50" LENGTH, 208-230/460 V. (2 REQ'D)	205221020	293
FL36-100E	DEFROST HEATERS, CORE, 2980 WATTS, 74" LENGTH, 208-230/460 V. (2 REQ'D)	205221021	328
FL36-135E, FL36-160E	DEFROST HEATERS, CORE, 2980 WATTS, 75" LENGTH, 208-230/460 V. (2 REQ'D)	200172049	328
FL46-180E, FL46-220E †	DEFROST HEATERS, CORE, 1550 WATTS, 38" LENGTH, 208-230 V. (2 REQ'D)	200172024	274
FL46-265E †	DEFROST HEATERS, CORE, 2480 WATTS, 60" LENGTH, 208-230 V. (2 REQ'D)	200172028	325

FOLLOWING HEATERS ARE FOR UNITS PRODUCED AFTER APRIL 1, 1994

FL26-67E	DEFROST HEATERS, CORE, 1970 WATTS, 50" LENGTH, 208-230/460 V. (2 REQ'D)	205221020	293
FL36-100E	DEFROST HEATERS, CORE, 2980 WATTS, 74" LENGTH, 208-230/460 V. (2 REQ'D)	205221021	328
FL36-135E, FL36-160E	DEFROST HEATERS, CORE, 2980 WATTS, 75" LENGTH, 208-230/460 V. (2 REQ'D)	200172049	328
FL46-180E, FL46-220E,	DEFROST HEATERS, CORE, 1550 WATTS, 38" LENGTH, 208-230/460 V. (2 REQ'D)	200172024	274
FL46-265E	DEFROST HEATERS, CORE, 2480 WATTS, 60" LENGTH, 208-230/460 V. (2 REQ'D)	200172028	325
FL56-370E	DEFROST HEATERS, CORE, 2480 WATTS, 60" LENGTH, 208-230/460 V. (4 REQ'D)	200172028	325

FOLLOWING DRAIN PANS ARE FOR UNITS PRODUCED BEFORE APRIL 1, 1991.

2 FAN MODELS	DRAIN PANS, PAINTED (WHITE)	NLA	—
3 FAN FL MODELS	DRAIN PANS, PAINTED (WHITE)	NLA	—
4 FAN FL MODELS	DRAIN PANS, PAINTED (WHITE)	NLA	—

FOLLOWING DRAIN PANS ARE FOR UNITS PRODUCED AFTER APRIL 1, 1991. *

2 FAN FL MODELS	DRAIN PANS	10861406	561
3 FAN FL MODELS	DRAIN PANS	10861407	621
4 FAN FL MODELS	DRAIN PANS	10861403	712
5 FAN FL MODEL	DRAIN PANS	10861408	809
2 FAN MODEL (OPTIONAL)	DRAIN PANS, PAINTED (WHITE)‡	10861406W	985
3 FAN FL MODELS (OPTIONAL)	DRAIN PANS, PAINTED (WHITE)‡	10861407W	1183
4 FAN FL MODELS (OPTIONAL)	DRAIN PANS, PAINTED (WHITE)‡	10861403W	1351
5 FAN FL MODEL (OPTIONAL)	DRAIN PANS, PAINTED (WHITE)‡	10861408W	1491

* ALL FLOW-TEMP DRAIN PANS SHIP VIA COMMON CARRIER, NO UPS.

NLA-NO LONGER AVAILABLE

‡ MUST ADD NOTE TO ORDER TO INCLUDE WHITE PAINTED HOUSING.

† NEED ONE OF EACH HEATER TO MAKE THE TOTAL LENGTH OF THE UNIT. ORIGINAL HEATER IS NO LONGER AVAILABLE.

INTER TEMP - MODELS ITA, ITE, ITG, ITH PRODUCED BEFORE MARCH, 1996

MODEL NUMBER	DESCRIPTION	PART NUMBER	LIST PRICE
ALL MODELS	FAN BLADES, 14" DIAM., 32° PITCH, CW	214100000	\$190
ALL MODELS	FAN GUARD, WIRE, EPOXY COATED, Black, 14" (original part 213626002 - NLA)	203626003	111
ALL ITA 2 FAN MODELS	DRAIN PAN, 45-1/2" LENGTH*	21414700	NLA
ALL ITA 3 FAN MODELS	DRAIN PAN, 63-1/2" LENGTH*	21414800	NLA
ALL ITA 4 FAN MODELS	DRAIN PAN, 81-1/2" LENGTH*	21414900	NLA
ALL ITA 5 FAN MODELS	DRAIN PAN, 99-1/2" LENGTH*	21415000	NLA
ALL ITE, ITG, ITH MODELS	DEFROST CONTROL, ADJUSTABLE, RANCO F-25	204464037	325
ITE24-110, ITE24-105, ITE26-125, ITE26-270	DEFROST HEATERS, CORE, 671 WATTS, 47" LENGTH, 230 V. (4 REQ'D)	112755000	NLA
	DEFROST HEATERS, DRAIN PAN, 238 WATTS, 97-7/8" LENGTH, 230 V. (2 REQ'D)	113889000	325
	DRAIN PAN, 45-1/2" LENGTH*	21415100	437
ITE34-225, ITE36-256	DEFROST HEATERS, CORE, 959 WATTS, 65" LENGTH, 230 V. (4 REQ'D)	112756000	NLA
	DEFROST HEATERS, DRAIN PAN, 168 WATTS, 70-1/8" LENGTH, 230 V. (4 REQ'D)	113888000	NLA
	DRAIN PAN, 63-1/2" LENGTH*	21415200	NLA
ITE44-300, ITE46-340	DEFROST HEATERS, CORE, 1247 WATTS, 83" LENGTH, 230 V. (4 REQ'D)	112757000	NLA
	DEFROST HEATERS, DRAIN PAN, 213 WATTS, 88-1/4" LENGTH, 230 V. (4 REQ'D)	113887000	NLA
	DRAIN PAN, 81-1/2" LENGTH*	21415300	NLA
ITE54-380, ITE56-430	DEFROST HEATERS, CORE, 1535 WATTS, 101" LENGTH, 230 V. (4 REQ'D)	112758000	NLA
	DEFROST HEATERS, DRAIN PAN, 258 WATTS, 106-1/8" LENGTH, 230 V. (4 REQ'D)	NLA	—
	DRAIN PAN, 99-1/2" LENGTH*	21415400	NLA

CONTACT FACTORY FOR HOT GAS DRAIN PAN PRICING

FOLLOWING MOTORS ARE FOR UNITS PRODUCED BEFORE JANUARY 1, 1994.

ALL MODELS	MOTOR, SHADED POLE, 1/8 HP, 1050 RPM, 115V.(CAPACITOR NOT INCLUDED)	122830000	704
	MOTOR , PSC, 1/8 HP, 1050 RPM, 230V. (CAPACITOR NOT INCLUDED)	049-146	NLA
	MOTOR, SHADED POLE, 1/15 HP, 1050 RPM, 460V.	NLA	—
ALL 115V MODELS	CAPACITOR, 10 MFD, FOR 1/15 HP 115 V. PSC MOTOR	08216063	NLA
ALL 230V MODELS	CAPACITOR, 5 MFD, FOR 1/8 HP 230 V. PSC MOTOR	202163004	42
ALL 460V MODELS	CAPACITOR, 7.5 MFD, FOR 1/8 HP 460 V. PSC MOTOR	202163008	NLA

FOLLOWING MOTORS ARE FOR UNITS PRODUCED BETWEEN APRIL 30, 1994 AND MARCH, 1996.

ALL MODELS	MOTOR, PSC, 1/8 HP, 1050 RPM, 115 V., (CAPACITOR NOT INCLUDED)	122830000	704
	MOTOR, PSC, 1/8 HP, 1050 RPM, 230 V., (CAPACITOR NOT INCLUDED)	049-146	NLA
	MOTOR, PSC, 1/8 HP, 1050 RPM, 460 V., (CAPACITOR NOT INCLUDED)	049-175	748
ALL 115V MODELS	CAPACITOR, 10 MFD, FOR 1/15 HP 115 V. PSC MOTOR	08216063	NLA
ALL 230V MODELS	CAPACITOR, 5 MFD, FOR 1/8 HP 230 V. PSC MOTOR	202163004	42
ALL 460V MODELS	CAPACITOR, 7.5 MFD, FOR 1/8 HP 460 V. PSC MOTOR	202163006	45

INTER TEMP - MODELS ITA, ITE, ITG, ITH PRODUCED AFTER MARCH, 1996

ITA24-126,-169, ITA34-224,-287 ITA26-145,-191, ITA36-240,-305 ITA28-151,-210, ITA38-260,-320	FAN BLADE, 14" 32° PITCH, CW	214100000	190
ITE24-105, -140, ITE34-175 ITE26-130, -150, ITE36 -185	FAN GUARD, 14" WIRE, EPOXY COATED, BLUE	213626002	NLA
	FAN GUARD, WIRE, EPOXY COATED, Black, 14" (original part 213626002 - NLA)	213626003	111
	FAN GUARD, AIR STRAIGHTENER, 14"	11344700	NLA
ITA24-340,-395, ITA34-465,-585 ITA26-370,ITA36-415, -490,-620 ITA28-410,-450, ITA38-540,-690 ITE24-230,-325, ITE34-390,-510 ITE26-270, ITE26-320, ITE36-385 ITE36-460, ITE36-520	FAN BLADE, 20" 25° PITCH, CW	213456000	256
	FAN GUARD, WIRE, EPOXY COATED, 20"	213484000	210
	FAN GUARD, AIR STRAIGHTENER, 20"	10692300	358

* INTER -TEMP DRAIN PANS MUST SHIP COMMON CARRIER, NO UPS.

NLA - NO LONGER AVAILABLE

INTER TEMP - MODELS ITA, ITE, ITG, ITH PRODUCED AFTER MARCH,1996 (CONT)

MODEL NUMBER	DESCRIPTION	PART NUMBER	LIST PRICE
ITA24-126,-169, ITA26-145,-191, ITA28-151,-210, ITE24-105,-140, ITE26-130,-150	DRAIN PAN, 55" LENGTH*	11523801	\$761
ITA34-224,287, ITA36-240,-305, ITA38-260,-320, ITE34-175, ITE36-185	DRAIN PAN, 76" LENGTH*	11523901	841
ITA24-340,-395, ITA26-370, ITA28-410,-450, ITE24-230,-325, ITE26-270,-320	DRAIN PAN, 76" LENGTH*	11524001	841
ITA34-465,-585, ITA38-540,-690, ITA36-415,-490,-620, ITE34-390,-510, ITE36-385,-460,-520	DRAIN PAN, 106" LENGTH*	11524101	841
ALL ITE MODELS	DEFROST TERMINATION CONTROL	103079010	122
ALL ITE MODELS	FAN DELAY CONTROL	103079009	122
ALL ITE MODELS	HEATER SAFETY CONTROL	103079003	111
ITE24-105, ITE24-140, ITE26-130, ITE26-150	DEFROST HEATERS, 240V, 1693 WATTS 50" LENGTH, 3 REQ.	206240022	300
	DEFROST HEATERS,460V, 1555 WATTS, 50" LENGTH, 3 REQ.	206240021	468
	DEFROST HEATERS,575V, 1555 WATTS, 50" LENGTH, 3 REQ.	206240030	468
ITE34-175, ITE24-230, ITE24-325 ITE36-185, ITE26-270, ITE26-320	DEFROST HEATERS, 240V, 2458 WATTS, 70" LENGTH, 3 REQ.	206240004	394
	DEFROST HEATERS, 460V, 2258 WATTS, 70" LENGTH, 3 REQ.	206240020	588
	DEFROST HEATERS, 575V, 2258 WATTS, 70" LENGTH, 3 REQ.	206240029	588
ITE34-390, ITE34-510, ITE36-385, ITE36-460, ITE36-520	DEFROST HEATERS, 240V, 3538 WATTS, 100" LENGTH, 3 REQ.	206240005	493
	DEFROST HEATERS, 460V, 3249 WATTS, 100" LENGTH, 3 REQ.	206240019	673
	DEFROST HEATERS, 575V, 3249 WATTS, 100" LENGTH, 3 REQ.	206240028	673
ITA24-126,-169, ITA34-224,-287 ITA26-145,-191, ITA36-240,-305 ITA28-151,-210, ITA38-260,-320	MOTOR, PSC, 115V, 1/8 HP, 1075 RPM (4 MFD CAP. NOT INCLUDED)	115248001	704
	CAPACITOR, 4MFD, FOR 1/8 HP (115 V, 230V, 460V.) PSC MOTOR	202163012	42
	MOTOR, ECM , 115V, 1/8 HP, 1075 RPM	08216128	857
ITA24-340,-395, ITA34-465,-585 ITA26-370,ITA36-415, -490,-620 ITA28-410,-450, ITA38-540,-690 ITA24-340,-395, ITA34-465,-585	MOTOR, PSC, 115V, 1/3 HP, 1075 RPM (NO LONGER AVAILABLE use 205051020)	205051005	—
	MOTOR, PSC, 115V, 1/3 HP, 1075 RPM, LO-GRSE (5 MFD CAP. NOT INCLUDED)	205051020	764
	CAPACITOR, 5MFD, FOR 1/3 HP (115V) PSC MOTOR	202163004	42
	MOTOR, ECM , 115V, 1/3 HP, 1075 RPM	08216130	847
ITA24-126,-169, ITA34-224,-287 ITA26-145,-191, ITA36-240,-305 ITA28-151,-210, ITA38-260,-320 ITE24-105, ITE24-140, ITE34-175 ITE26-130, ITE26-150, ITE36-185	MOTOR, PSC, 230V, 1/8 HP, 1075 RPM (4 MFD CAP. NOT INCLUDED)	115248002	704
	CAPACITOR, 4MFD, FOR 1/8 HP (115 V, 230V, 460V.) PSC MOTOR	202163012	42
	MOTOR, ECM , 230V, 1/8 HP, 1075 RPM	08216129	888
ITA24-340,-395, ITA34-465,-585 ITA26-370,-415, ITA36-415,-490,-620 ITA28-410,-450, ITA38-540,-690 ITE24-230,-325, ITE34-390,-510 ITE26-270, ITE26-320 ITE36-385, ITE36-460, ITE36-520	MOTOR, PSC, 115V, 1/3 HP, 1075 RPM (NO LONGER AVAILABLE use 205051019)	205051004	—
	MOTOR, PSC, 230V, 1/3 HP, 1075 RPM, LO-GRSE (5.0 MFD CAP. NOT INCLUDED)	205051019	865
	CAPACITOR, 5.0 MFD, FOR 1/3 HP (230V) PSC MOTOR	202163004	42
	MOTOR, ECM , 230V, 1/3 HP, 1075 RPM	08216131	1033
ITA24-126,-169, ITA34-224,-287 ITA26-145,-191, ITA36-240,-305 ITA28-151,-210, ITA38-260,-320 ITE24-105, ITE24-140, ITE34-175 ITE26-130, ITE26-150, ITE36-185	MOTOR, PSC, 460V, 1/8 HP, 1075 RPM (4 MFD CAP. NOT INCLUDED)	115248003	748
	MOTOR, PSC, 575V, 1/8 HP, 1075 RPM (4 MFD CAP. NOT INCLUDED)	115951000	830
	CAPACITOR, 4MFD, FOR 1/8 HP (115 V, 230V, 460V.) PSC MOTOR	202163012	42
ITA24-340,-395, ITA34-465,-585 ITA26-370,-415, ITA36-490,-620 ITA28-410,-450, ITA38-540,-690 ITE24-230,-325, ITE34-390,-510 ITE26-270, ITE26-320 ITE36-385, ITE36-460, ITE36-520	MOTOR, PSC, 460V, 1/3 HP, 1075 RPM (NO LONGER AVAILABLE use 205051021)	205051006	—
	MOTOR, PSC, 460V, 1/3 HP, 1075 RPM, LO-GRSE (7.5 MFD CAP. NOT INCLUDED)	205051021	932
	MOTOR, PSC, 575V, 1/3 HP, 1075 RPM (7.5 MFD CAP. NOT INCLUDED)	115950000	887
	CAPACITOR, 7.5 MFD, FOR 1/3 HP (230V,460V) PSC MOTOR	202163006	45
MODELS WITH 14" FANS	MOTOR MOUNT 14"	214837000	119
MODELS WITH 20" FANS	MOTOR MOUNT 20"	210225000	206

* INTER - TEMP DRAIN PANS MUST SHIP VIA COMMON CARRIER. NO UPS SHIPMENTS
BOLD PART NUMBERS ARE FOR REPLACEMENT MOTORS

ULTRA TEMP - MODELS U*U, U*L, U*M, UAH

MODEL NUMBER	DESCRIPTION	PART NUMBER	LIST PRICE
ALL MODELS	DEFROST CONTROL, ADJUSTABLE, RANCO F-25	204464037	325
ALL 1 FAN MODELS	DEFROST HEATERS, CORE, 1378 WATTS, 40" LENGTH, 208-230/460 V. (4 REQ'D)	206240003	244
	DEFROST HEATERS, CORE, 1378 WATTS, 40" LENGTH, 300 V. (4 REQ'D)	206240025	306
ALL 2 FAN MODELS	DEFROST HEATERS, CORE, 2458 WATTS, 70" LENGTH, 208-230/460 V. (4 REQ'D)	206240004	394
	DEFROST HEATERS, CORE, 2458 WATTS, 70" LENGTH, 300 V. (4 REQ'D)	206240026	499
ALL 3 FAN MODELS	DEFROST HEATERS, CORE, 3538 WATTS, 100" LENGTH, 208-230/460 V. (4 REQ'D)	206240005	493
	DEFROST HEATERS, CORE, 3538 WATTS, 100" LENGTH, 300 V. (4 REQ'D)	206240027	639
UEU4-711	DEFROST HEATERS, CORE, 2305 WATTS, 132" LENGTH, 208-230/460 V. (8 REQ'D)	206240002	392
UEL4-817, UEL4-722 UEM4-780, UEM4-882	DEFROST HEATERS, CORE, 2305 WATTS, 132" LENGTH, 300 V. (8 REQ'D)	206240024	499
UEU4-851, UEU4-1080, UEL4-950, UEL4-1100, UEL4-1260, UEL4-1380, UEM4-1100 UEM4-1320, UEM4-1656	DEFROST HEATERS, CORE, 2305 WATTS, 132" LENGTH, 208-230/460 V. (12 REQ'D)	206240002	392
	DEFROST HEATERS, CORE, 2305 WATTS, 132" LENGTH, 300 V. (12 REQ'D)	206240024	499
UEU5-1350, UEL5-1575	DEFROST HEATERS, CORE, 2837 WATTS, 162" LENGTH, 208-230/460 V (12 REQ'D)	206240017	453
UEL5-1725, UEM5-2065	DEFROST HEATERS, CORE, 2837 WATTS, 162" LENGTH, 208V (300V units) (12 REQ'D)	206240032	468
UEU6-1620, UEL6-1890	DEFROST HEATERS, CORE, 3369 WATTS, 192" LENGTH, 208-230/460 V (12 REQ'D)	206240018	543
UEL6-2070, UEM6-2480	DEFROST HEATERS, CORE, 3369 WATTS, 192" LENGTH, 208V (300V units) (12 REQ'D)	206240031	567
ALL MODELS	DEFROST HEATER, DRAIN PLUG, 540 WATTS, 208-230/460 V.	10780703	NLA

FOLLOWING DRAIN PANS ARE FOR UNITS PRODUCED BEFORE JULY 31, 1995 ** (contact factory for Hot Gas Pans)

1 FAN MODELS	DRAIN PAN, 46-1/2"LENGTH - (SHIPS FROM YUMA, AZ) SPECIFY MOD# AND S/N.	12270501	671
2 FAN MODELS	DRAIN PAN, 76-1/2"LENGTH - (SHIPS FROM YUMA, AZ) SPECIFY MOD# AND S/N.	12270502	753
3 FAN MODELS	DRAIN PAN, 106-1/2"LENGTH - (SHIPS FROM YUMA, AZ) SPECIFY MOD# AND S/N.	12270503	831
4 FAN MODELS	DRAIN PAN, 136-1/2"LENGTH - (SHIPS FROM YUMA, AZ) SPECIFY MOD# AND S/N.	12270504	913
5 FAN MODELS	DRAIN PAN, 166-1/2"LENGTH - (SHIPS FROM YUMA, AZ) SPECIFY MOD# AND S/N.	12270505	1105
6 FAN MODELS	DRAIN PAN, 196-1/2"LENGTH - (SHIPS FROM YUMA, AZ) SPECIFY MOD# AND S/N.	21505600	1370

FOLLOWING DRAIN PANS ARE FOR UNITS PRODUCED AFTER JULY 31, 1995 (contact factory for Hot Gas Pans)**

1 FAN MODELS	DRAIN PAN, 46-1/2"LENGTH - (SHIPS FR YUMA, AZ) SPECIFY MOD# AND S/N.	10642401	671
2 FAN MODELS	DRAIN PAN, 76-1/2"LENGTH - (SHIPS FR YUMA, AZ) SPECIFY MOD# AND S/N.	10642402	753
3 FAN MODELS	DRAIN PAN, 106-1/2"LENGTH - (SHIPS FROM YUMA, AZ) SPECIFY MOD# AND S/N.	10642403	831
4 FAN MODELS (AIR DEFROST)	DRAIN PAN, 136-1/2"LENGTH - (SHIPS FROM YUMA, AZ) SPECIFY MOD# AND S/N.	10642404	913
5 FAN MODELS (AIR DEFROST)	DRAIN PAN, 166-1/2"LENGTH - (SHIPS FROM YUMA, AZ) SPECIFY MOD# AND S/N.	21884500	1105
6 FAN MODELS (AIR DEFROST)	DRAIN PAN, 196-1/2"LENGTH - (SHIPS FROM YUMA, AZ) SPECIFY MOD# AND S/N.	21884600	1214
4 FAN MODELS (ELEC. DEF)	DRAIN PAN, 136-1/2"LENGTH - (SHIPS FROM YUMA, AZ) SPECIFY MOD# AND S/N.	21485900	1069
5 FAN MODELS (ELEC. DEF)	DRAIN PAN, 166-1/2"LENGTH - (SHIPS FROM YUMA, AZ) SPECIFY MOD# AND S/N.	21512700	1260
6 FAN MODELS (ELEC. DEF)	DRAIN PAN, 196-1/2"LENGTH - (SHIPS FROM YUMA, AZ) SPECIFY MOD# AND S/N.	21505600	1370
4,5,6, FAN MODELS	DRAIN PAN, CONNECTION 1-1/4"	114896001	47

FOLLOWING DRAIN PAN HEATERS ARE FOR UNITS PRODUCED AFTER JULY 31, 1995**

1-3 FAN MODELS*	NOT REQUIRED	NLA	—
4 FAN MODELS	DRAIN PAN HTR, 133-1/2"LENGTH, SPEC. MOD# AND S/N.(2 REQ.), 540 WATTS, 230V	115098000	422
	DRAIN PAN HTR, 146-1/8"LENGTH, SPEC. MOD# AND S/N.(2 REQ.), 540 WATTS, 300V	125704000	447
5 FAN MODELS	DRAIN PAN HTR, 163-1/2"LENGTH, SPEC. MOD# AND S/N.(2 REQ.), 660 WATTS, 230V	115099000	476
	DRAIN PAN HTR, 176-1/8"LENGTH, SPEC. MOD# AND S/N.(2 REQ.), 660 WATTS, 300V	125705000	503
6 FAN MODELS	DRAIN PAN HTR, 196-1/2"LENGTH, SPEC. MOD# AND S/N.(2 REQ.), 780 WATTS, 230V	115100000	582
	DRAIN PAN HTR, 206-1/8"LENGTH, SPEC. MOD# AND S/N.(2 REQ.), 780 WATTS, 300V	125706000	626

FOLLOWING FAN BLADES ARE FOR UNITS PRODUCED BEFORE APRIL 1, 1990.

ALL 1, 2, & 3 FAN U*U, AND U*L MODELS, AND U*U4-711, U*L4-722, U*L4-817	FAN BLADES, 20" DIAM., 23° PITCH, CW, 1/2" BORE	202147008	293
U*U4-851, U*U4-1080, U*L4-1100, U*L4-1380 U*M4-1320, U*M4-1656, UAH4-1452, UAH4-1821	FAN BLADES, 24" DIAM., 32° PITCH, CW, 1/2" BORE, 3 BLADES	213455000	293
ALL 1, 2, & 3 FAN U*M, AND UAH MODELS, AND U*M4-780, U*M4-822, UAH4-866, UAH4-980	FAN BLADES, 20" DIAM., 25° PITCH, CW, 1/2" BORE	213456000	256

* NO DRAIN PAN HEATERS FOR 1 - 3 FAN MODELS (BOTTOM CORE HEATER DEFROSTS THE DRAIN PAN.)

NLA - NO LONGER AVAILABLE

** MUST SHIP VIA COMMON CARRIER. NO UPS SHIPMENTS

ULTRA TEMP - MODELS U*U, U*L, U*M, UAH (Con't)

FOLLOWING FAN BLADES ARE FOR UNITS PRODUCED AFTER APRIL 1, 1990.

U*U1-118, U*U2-236, U*L1-125 U*L1-152, U*L1-193, U*L2-240, U*L2-304	FAN BLADES, 20" DIAM., 23° PITCH, CCW , 1/2" BORE	202147008	\$293
U*U2-355, U*L2-361, U*L2-408, U*M4-1100, U*M4-1320, U*M4-1656, UAH4-1452, UAH4-1821, UAH5-2275, UAH6-2730, & ALL 3, 4, 5, & 6 FAN U*U AND U*L MODELS	FAN BLADES, 24" DIAM., 32° PITCH, CW, 1/2" BORE, 3 BLADES	213455000	293
U*M1-164, U*M1-209, U*M2-270, U*M2-239, UAH1-182, UAH1-232, UAH2-300, UAH2-365	FAN BLADES, 20" DIAM., 25° PITCH, CW, 1/2" BORE	213456000	256
U*M2-390, U*M2-441, UAH2-433, UAH2-490, ALL 3 FAN U*M, AND UAH MODELS U*M4-780, U*M4-882, U*M5-2065, U*M6-2480, UAH4-866, UAH4-980, UAH4-1100	FAN BLADES, 24" DIAM., 14° PITCH, CW , 1/2" BORE	214041000	283
U*U1-118, U*U2-236, U*L1-125, U*L1-152, U*L1-193, U*L2-240, U*L2-304, U*M1-164, U*M1-209, U*M2-270, U*M2-329, UAH1-182, UAH1-232, UAH2-300, UAH2-365	FAN GUARD, WIRE, EPOXY COATED, 20"	213484000	210
	FAN GUARD, AIR STRAIGHTENER (20" FANS)	10692300	358
U*U2-355, U*L2-361, U*L2-408, U*M2-390, U*M2-441, UAH2-433, UAH2-490, AND ALL 3, 4, 5, & 6 FAN U*U, U*L, U*M, UAH MODELS	FAN GUARD, WIRE, EPOXY COATED, 24"	202136005	430
	FAN GUARD, AIR STRAIGHTENER (24" FANS)	10709900	430

FOLLOWING MOTORS ARE FOR UNITS PRODUCED BEFORE APRIL 1, 1990.

ALL 1, 2, & 3 FAN U*M, & UAH & U*M4-780, U*M4-882, UAH4-866, UAH4-980, UAH4-1100	MOTOR, PSC, 115V, 1/3 HP, 1075 RPM (NO LONGER AVAILABLE FOR EVAP. UNITS)	205051005	NLA
	MOTOR, PSC, 115V, 1/3 HP, 1075 RPM, LO-GRSE (5 MFD CAP. NOT INCLUDED)	205051020	764
	MOTOR, PSC, 230V, 1/3 HP, 1075 RPM (NO LONGER AVAILABLE FOR EVAP. UNITS)	205051004	NLA
	MOTOR, PSC, 230V, 1/3 HP, 1075 RPM, LO-GRSE (5.0 MFD CAP. NOT INCLUDED)	205051019	865
	MOTOR, PSC, 460V, 1/3 HP, 1075 RPM (NO LONGER AVAILABLE FOR EVAP UNITS)	205051006	NLA
U*U4-851, U*U4-1080, U*L4-1100, U*L4-1380 U*M4-1320, U*M4-1656, UAH4-1452, UAH4-1821	MOTOR, PSC, 3/4 HP, 1075RPM, 208-230/60/1 (NO LONGER AVAILABLE FOR EVAPS)	205051009	NLA
	MOTOR, PSC, 3/4 HP, 1075RPM, 208-230/60/1 (5 MFD CAPACITOR NOT INCLUDED)	118187000	1176
	MOTOR, PSC, 3/4 HP, 1075RPM, 460/60/1 (NO LONGER AVAILABLE FOR EVAP UNITS)	205051002	NLA
	MOTOR, PSC, 3/4 HP, 1075RPM, 460/60/1 (5 MFD CAPACITOR NOT INCLUDED)	118186000	1348
	MOTOR, PSC, 3/4 HP, 1625 RPM, 208-230/60/1 (7.5 MFD CAPACITOR NOT INCLUDED)	205051007	954
ALL 1, 2, & 3 FAN U*U, AND U*L MODELS, AND U*U4-711, U*L4-722, U*L4-817	MOTOR, PSC, 3/4 HP, 1625 RPM, 460/60/1 (7.5 MFD CAPACITOR NOT INCLUDED)	205051008	1026
	ALL MODELS	MOTOR, MOUNT, 24"	205269000

FOLLOWING MOTORS ARE FOR UNITS PRODUCED AFTER APRIL 1, 1990.

ALL 1, 2, 3, FAN U*M, AND UAH MODELS, AND U*M4-780, U*M4-882, UAH4-866, UAH4-980, UAH4-1100	MOTOR, PSC, 115V, 1/3 HP, 1075 RPM (NO LONGER AVAILABLE FOR EVAP. UNITS)	205051005	NLA
	MOTOR, PSC, 115V, 1/3 HP, 1075 RPM, LO-GRSE (5 MFD CAP. NOT INCLUDED)	205051020	764
	MOTOR, ECM , 1/3 HP, 1075 RPM, CCW, 115V	08216130	847
	MOTOR, PSC, 230V, 1/3 HP, 1075 RPM (NO LONGER AVAILABLE FOR EVAP. UNITS)	205051004	NLA
	MOTOR, PSC, 230V, 1/3 HP, 1075 RPM, LO-GRSE (5.0 MFD CAP. NOT INCLUDED)	205051019	865
	MOTOR, ECM , 1/3 HP, 1075 RPM, CCW, 230V	08216131	1033
	MOTOR, PSC, 460V, 1/3 HP, 1075 RPM (NO LONGER AVAILABLE FOR EVAP UNITS)	205051006	NLA
U*U2-355, U*L2-361, U*L2-408, AND ALL 3, 4, 5, & 6 FAN U*U, AND U*L MODELS, U*M4-1100, U*M4-1320, U*M4-1656, U*M5-2065 U*M6-2480, UAH4-1452, UAH4-1821 UAH5-2275, UAH6-2730	MOTOR, PSC, 3/4 HP, 1075RPM, 208-230/60/1 (NO LONGER AVAILABLE FOR EVAPS)	205051009	NLA
	MOTOR, PSC, 3/4 HP, 1075RPM, 208-230/60/1 (5 MFD CAPACITOR NOT INCLUDED)	118187000	1176
	MOTOR, PSC, 3/4 HP, 1075RPM, 460/60/1 (NO LONGER AVAILABLE FOR EVAP UNITS)	205051002	NLA
	MOTOR, PSC, 3/4 HP, 1075RPM, 460/60/1 (5 MFD CAPACITOR NOT INCLUDED)	118186000	1348
	MOTOR, PSC, 1/2 HP, 1075RPM, 575/60/1 (5 MFD CAPACITOR NOT INCLUDED)	115952000	841
	MOTOR, ECM , 3/4 HP, 1075 RPM, CCW, 230V	08216132	1333
	MOTOR, PSC, 3/4 HP, 1625 RPM, 208-230/60/1 (7.5 MFD CAPACITOR NOT INCLUDED)	205051007	954
U*U1-118, U*U2-236, U*L1-125, U*L1-152, U*L1-193, U*L2-240 U*L2-304	MOTOR, PSC, 3/4 HP, 1625 RPM, 460/60/1 (7.5 MFD CAPACITOR NOT INCLUDED)	205051008	1026
	MOTOR, PSC, 1/2 HP, 1075RPM, 575/60/1 (5 MFD CAPACITOR NOT INCLUDED)	115952000	841
	MOTOR, ECM , 3/4 HP, 1625 RPM, CCW, 230V	08216133	1097
	ALL MODELS	MOTOR, MOUNT, 24"	205269000
ALL MODELS	CAPACITOR, 5 MFD	202163004	42
	CAPACITOR, 7.5 MFD	202163006	45

BOLD PART NUMBERS ARE FOR REPLACEMENT MOTORS

FLEX TEMP-MODELS FT

MODEL NUMBER	DESCRIPTION	PART NUMBER	LIST PRICE
FT18-6, FT18-8	DRAIN PAN-VENTURI	20985600	\$124
	FAN BLADES, PLASTIC, 6" DIAM., 21° PITCH, CW, HUBLESS	105849001	51
	FAN GUARD, PLASTIC, 6"	205932000	80
	MOTOR, SKELETON FRAME, SHADED POLE, 43 WATT INPUT, 3000 RPM, 115 V.	102249005	148
	MOTOR, SKELETON FRAME, SHADED POLE, 43 WATT INPUT, 3000 RPM, 230 V.	102249007	148
FT28-12	DRAIN PAN-VENTURI	20985500	163
	FAN BLADES, PLASTIC, 6" DIAM., 21° PITCH, CW, HUBLESS	105849001	51
	FAN GUARD, PLASTIC, 6"	205932000	80
	MOTOR, SKELETON FRAME, SHADED POLE, 43 WATT INPUT, 3000 RPM, 115 V.	102249005	148
	MOTOR, SKELETON FRAME, SHADED POLE, 43 WATT INPUT, 3000 RPM, 230 V.	102249007	148
FT18-17	DRAIN PAN-VENTURI	20985400	197
	FAN BLADES, 8" DIAM., 31° PITCH, CW, HUBLESS	204395009	43
	FAN GUARD, PLASTIC, 8"	206569000	82
	MOTOR, SHADED POLE, 9 WATT, 1550 RPM, 115 V.	103104004	146
	MOTOR, SHADED POLE, 9 WATT, 1550 RPM, 230 V.	103104005	146
	MOTOR, ECM , 16W, 1550 RPM, 115V	107933006	616
	MOTOR, ECM , 16W, 1550 RPM, 230V	107933003	639
FT18-23, FT18-31	DRAIN PAN-VENTURI	20985300	250
	FAN BLADES, 10" DIAM., 25° PITCH, CCW	214022000	47
	FAN GUARD, WIRE, EPOXY COATED , 10"	201006002	88
	MOTOR, SHADED POLE, 1/20 HP, 1550 RPM, 115 V.	102540003	189
	MOTOR, SHADED POLE, 1/20 HP, 1550 RPM, 208-230 V.	102540004	189
	MOTOR, ECM , 1/30 HP, 1550 RPM, 115V	08216126	720
	MOTOR, ECM , 1/30 HP, 1550 RPM, 230V	08216127	751

HI TEMP - MODELS HI

HI17-6, HI17-9, HI17-12, HI17-15	DRAIN PAN	NLA	—
HI17-18, HI17-25	DRAIN PAN	NLA	—
HI17-35, HI17-45, HI18-55	DRAIN PAN	NLA	—
HI17-65, HI17-75, HI18-85	DRAIN PAN	NLA	—
HI17-105, HI18-120	DRAIN PAN	NLA	—
HI27-150, HI27-180	DRAIN PAN	NLA	—
HI17-6	FAN BLADES, 6" DIAM., 20° PITCH, CW, HUBLESS	105849001	51
HI17-9, HI17-12, HI17-15	FAN BLADES, 8" DIAM., 31° PITCH, CW , HUBLESS	204395009	43
HI17-18, HI17-25	FAN BLADES, 10" DIAM., 20° PITCH, CW, HUBLESS	204395015	47
HI17-35	FAN BLADES, 12" DIAM., 19° PITCH, CW, 5/16" BORE	NLA	—
HI17-45	FAN BLADES, 12" DIAM., 19° PITCH, CW, 5/16" BORE	NLA	—
HI18-55	FAN BLADES, 12" DIAM., 23° PITCH, CW, 5/16" BORE	215112000	141
HI17-65, HI27-150,	FAN BLADES, 16" DIAM., 19° PITCH, CW, 1/2" BORE	11905	176
HI17-75, HI18-85, HI17-105	FAN BLADES, 16" DIAM., 23° PITCH, CW, 1/2" BORE	NLA	—
HI18-120, HI27-180			
HI17-6	FAN GUARD, PLASTIC, 6"	205932000	80
HI17-9, HI17-12, HI17-15	FAN GUARD, PLASTIC, 8"	206569000	82
HI17-18, HI17-25	FAN GUARD, WIRE, EPOXY COATED , 10"	08397002	88
HI17-35, HI17-45, HI18-55	FAN GUARD, WIRE, EPOXY COATED , 12"	201006011	88
HI17-65 THRU HI27-180	FAN GUARD, WIRE, EPOXY COATED , 16"	201006004	119
HI17-6, HI17-9, HI17-12	MOTOR, SHADED POLE, 4 WATT, 1550 RPM, 115 V.	NLA	NLA
HI17-15, HI17-18, HI17-25	MOTOR, SHADED POLE, 9 WATT, 1550 RPM, 115 V.	103104004	146
	MOTOR, SHADED POLE, 9 WATT, 1550 RPM, 230 V.	103104005	146
HI17-35, HI17-45, HI18-55	MOTOR, SHADED POLE, 1/20 HP, 1550 RPM, 115 V.	08216072	189
	MOTOR, SHADED POLE, 1/20 HP, 1550 RPM, 230 V.	08216071	204
HI17-65, HI17-75, HI18-85, HI17-105, HI27-150, HI27-180	MOTOR, SHADED POLE, 1/12 HP, 1050 RPM, 115 V.	08216119	579
	MOTOR, SHADED POLE, 1/12 HP, 1050 RPM, 230 V.	NLA	—
HI18-120	MOTOR, SHADED POLE, 1/6 HP, 1050 RPM, 115/230 V.	NLA	—
HI17-6 THRU HI18-55	MOTOR MOUNT (SPECIFY UNIT MODEL NUMBER WHEN ORDERING)	NLA	—
HI17-65 THRU HI27-180	MOTOR MOUNT (SPECIFY UNIT MODEL NUMBER WHEN ORDERING)	NLA	—

NLA - NO LONGER AVAILABLE

ASL MODELS

MODEL NUMBER	DESCRIPTION	PART NUMBER	LIST PRICE
ASL25-46E	DEFROST HEATERS, CORE, 1300 WATTS, 39" LENGTH, 230 V.	205221013	\$274
	DRAIN PAN, 46" LENGTH	20248901	411
ASL25-58E	DEFROST HEATERS, CORE, 1970 WATTS, 48" LENGTH, 230 V.	200172026	294
	DRAIN PAN	202489001	411
ASL35-70E	DEFROST HEATERS, CORE, 1850 WATTS, 62" LENGTH, 230 V.	205221016	430
	DRAIN PAN, 69" LENGTH	20248902	493
ASL45-94E	DEFROST HEATERS, CORE, 1250 WATTS, 42" LENGTH, 230 V. (2 REQ'D)	205221007	354
	DRAIN PAN, 92" LENGTH	20248903	546
ASL55-117E	DEFROST HEATERS, CORE, 1600 WATTS, 54" LENGTH, 230 V. (2 REQ'D)	205221010	406
	DRAIN PAN, 115" LENGTH	20248904	598
ALL "ASL-E" MODELS	DEFROST CONTROL, NON-ADJUSTABLE, 3 WIRE	103079002	122
ALL "ASL-E" MODELS	HEATER SAFETY SWITCH, 2 WIRE	103079003	111
ALL "ASL" MODELS	FAN BLADES, 10" DIAM., 31° PITCH, CCW, HUBLESS, 1/4" BORE	204395018	47
ALL "ASL" MODELS	FAN GUARD, WIRE, EPOXY COATED, 10", (WHITE)	08397053	88
ALL "ASL" MODELS	MOTOR MOUNT	10243000	88
ALL "ASL" MODELS Shaded Pole Motors	MOTOR, SHADED POLE , 16 WATT, 1550 RPM, 115 V.	103104007	174
	MOTOR, SHADED POLE , 16 WATT, 1550 RPM, 230 V.	103104008	174
ALL "ASL" MODELS Permanent Split Capacitor Motors	MOTOR, PSC , 16 WATT, 1550 RPM, 115 V.	107933001	354
	MOTOR, PSC , 16 WATT, 1550 RPM, 230 V. (No longer available. Use 107933003)	107933002	NLA
ALL MODELS Electronically Commutated Motors	MOTOR, ECM , 16 WATT, 1550 RPM, 115 V.	107933006	616
	MOTOR, ECM , 16 WATT, 1550 RPM, 230 V.	107933003	639

ASLA & ASLE

ASLE 25-46	DEFROST HEATERS, CORE, 1300 WATTS, 39" LENGTH, 230 V.	205221013	274
	DRAIN PAN	202489001	411
ASLE 25-58	DEFROST HEATERS, CORE, 1970 WATTS, 48" LENGTH, 230 V.	200172026	294
	DRAIN PAN	202489001	411
ASLE 35-70	DEFROST HEATERS, CORE, 1850 WATTS, 62" LENGTH, 230 V.	205221016	430
	DRAIN PAN	202489002	493
ASLE 45-94	DEFROST HEATERS, CORE, 1250 WATTS, 42" LENGTH, 230 V. (2 REQ'D)	205221007	354
	DRAIN PAN	202489003	546
ASLE55-117	DEFROST HEATERS, CORE, 1600 WATTS, 54" LENGTH, 230 V. (2 REQ'D)	205221010	406
	DRAIN PAN	202489004	598
ASLE 65-150	DEFROST HEATERS, CORE, 1850 WATTS, 62" LENGTH, 230 V. (2 REQ'D)	205221016	430
	DRAIN PAN	22118700	493
ALL "ASLE" MODELS	DEFROST CONTROL, DEFROST TERMINATION, (TIMER RESET) 2 WIRE	103079010	122
ALL "ASLE" MODELS	DEFROST CONTROL, FAN DELAY, 2 WIRE	103079009	122
ALL "ASLE" MODELS	HEATER SAFETY SWITCH, 2 WIRE	103079003	111
ALL "ASL" MODELS	FAN BLADES, 10" DIAM., 31° PITCH, CCW, HUBLESS, 1/4" BORE	204395018	47
ALL "ASL" MODELS	FAN GUARD, WIRE, EPOXY COATED, 10"	201006002	88
ALL "ASL" MODELS Shaded Pole Motors	MOTOR, SHADED POLE , 16 WATT, 1550 RPM, 115 V.	103104007	174
	MOTOR, SHADED POLE , 16 WATT, 1550 RPM, 230 V.	103104008	174
ALL "ASL" MODELS Permanent Split Capacitor Motors	MOTOR, PSC , 16 WATT, 1550 RPM, 115 V.	107933001	354
	MOTOR, PSC , 16 WATT, 1550 RPM, 230 V. (No longer available. Use 107933003)	107933002	NLA
ALL MODELS Electronically Commutated Motors	MOTOR, ECM , 16 WATT, 1550 RPM, 115 V.	107933006	616
	MOTOR, ECM , 16 WATT, 1550 RPM, 230 V.	107933003	639

MINI TWIN TEMP - MODELS MTW

MODEL NUMBER	DESCRIPTION	PART NUMBER	LIST PRICE
MTW18-8	DRAIN PAN (VENTURI)	20317800	\$160
MTW28-13	DRAIN PAN (VENTURI)	20317900	212
MTW28-18	DRAIN PAN (VENTURI)	20317900	212
MTW38-27	DRAIN PAN (VENTURI)	203176000	219
ALL "MTW" MODELS	FAN BLADES, 6" DIAM., 21° PITCH, CW, 1/4" BORE, PLASTIC	105849001	51
ALL "MTW" MODELS	FAN GUARD, PLASTIC, 6"	205932000	80
ALL "MTW" MODELS	MOTOR, SKELETON FRAME, SHADED POLE, 43 WATT INPUT, 3000 RPM, 115 V.	102249005	148
	MOTOR, SKELETON FRAME, SHADED POLE, 43 WATT INPUT, 3000 RPM, 230 V.	102249007	148
ALL "MTW" MODELS	MOTOR MOUNT	12003600	43

MULLION TEMP - MODELS MUF, MDF, WAX

ALL 27-13, AND 27-17 MODELS	DRAIN PAN	20782200	124
ALL 37-23 MODELS	DRAIN PAN	20988300	151
ALL MUF AND WAX MODELS	FAN BLADES, 5" DIAM., CCW , PLASTIC	105849004	38
ALL MDF MODELS	FAN BLADES, 5" DIAM., CW, PLASTIC	105849002	38
ALL MDF MODELS	FAN GUARD, Plastic 5"	207824000	78
ALL MODELS	MOTOR, SKELETON FRAME, SHADED POLE, 43 WATT INPUT, 3000 RPM, 115 V.	102249005	148
	MOTOR, SKELETON FRAME, SHADED POLE, 43 WATT INPUT, 3000 RPM, 230 V.	102249007	148

SLIM TEMP - MODELS SL, AIR AND ELECTRIC DEFROST

SLE- ALL MODELS	DEFROST TERMINATION / FAN DELAY 3 WIRE NON-ADJUSTABLE	103079002	122
SL15-9E	DEFROST HEATER, CORE, 420 WATTS, 10" LENGTH, 115 V.	NLA	—
	DEFROST HEATER, CORE, 420 WATTS, 10" LENGTH, 230 V.	NLA	—
SL15-11E	DEFROST HEATERS, CORE, 500 WATTS, 14" LENGTH, 115 V.	NLA	—
	DEFROST HEATERS, CORE, 500 WATTS, 14" LENGTH, 230 V.	NLA	—
SL25-15E	DEFROST HEATERS, CORE, 700 WATTS, 17" LENGTH, 115 V.	NLA	—
	DEFROST HEATERS, CORE, 700 WATTS, 17" LENGTH, 230 V.	NLA	—
SL25-20E	DEFROST HEATERS, CORE, 900 WATTS, 24" LENGTH, 115 V.	NLA	—
	DEFROST HEATERS, CORE, 900 WATTS, 24" LENGTH, 230 V.	NLA	—
SL35-26E	DEFROST HEATERS, CORE, 1300 WATTS, 33" LENGTH, 115 V.	NLA	—
	DEFROST HEATERS, CORE, 1300 WATTS, 33" LENGTH, 230 V.	NLA	—
SL45-33E	DEFROST HEATERS, CORE, 1600 WATTS, 41" LENGTH, 115 V.	NLA	—
	DEFROST HEATERS, CORE, 1600 WATTS, 41" LENGTH, 230 V.	NLA	—
SL55-44E	DEFROST HEATERS, CORE, 2100 WATTS, 56" LENGTH, 115 V.	NLA	—
	DEFROST HEATERS, CORE, 2100 WATTS, 56" LENGTH, 230 V.	NLA	—
SL35-58E	DEFROST HEATERS, CORE, 2200 WATTS, 56" LENGTH, 230 V.	200172027	325
SL35-70E	DEFROST HEATERS, CORE, 1220 WATTS, 30 LENGTH, 230 V. (1 REQ'D)	200172023	305
	DEFROST HEATERS, CORE, 1760 WATTS, 42 LENGTH, 230 V. (1 REQ'D)	205221007	354
SL45-87E	DEFROST HEATERS, CORE, 1300 WATTS, 39 LENGTH, 230 V. (1 REQ'D)	205221013	274
	DEFROST HEATERS, CORE, 1970 WATTS, 48 LENGTH, 230 V. (1 REQ'D)	200172026	294
SL17-10, SL15-9E	DRAIN PAN	NLA	—
SL17-13, SL15-11E	DRAIN PAN	NLA	—
SL27-17, SL25-15E	DRAIN PAN	NLA	—
SL27-23, SL25-20E	DRAIN PAN	NLA	—
SL37-30, SL35-26E	DRAIN PAN	NLA	—
SL47-37, SL45-33E	DRAIN PAN	NLA	—
SL57-50, SL55-44E	DRAIN PAN	NLA	—
SL35-58E	DRAIN PAN	NLA	—
SL35-70E	DRAIN PAN	NLA	—
SL45-87E	DRAIN PAN	NLA	—
SL15-9(E) THRU SL55-44(E)	FAN BLADES, 6" DIAM., 21° PITCH, CW , 1/4" BORE, PLASTIC	105849001	51
SL35-58(E), SL35-70(E), SL45-87(E)	FAN BLADES, 10" DIAM., 31° PITCH, CCW , HUBLESS, 1/4" BORE	204395018	47
SL15-9(E) THRU SL55-44(E)	FAN GUARD, PLASTIC, 6"	205932000	80
SL35-58(E), SL35-70(E), SL45-87(E)	FAN GUARD, WIRE, EPOXY COATED, 10", (WHITE)	08397053	88
SL15-9(E) THRU SL55-44(E)	MOTOR, SKELETON FRAME, SHADED POLE, 43 WATT INPUT, 3000 RPM, 115 V.	102249005	148
	MOTOR, SKELETON FRAME, SHADED POLE, 43 WATT INPUT, 3000 RPM, 230 V.	102249007	148
SL35-58(E), SL35-70(E), SL45-87(E)	MOTOR, SHADED POLE, 16 WATT, 1550 RPM, 115 V.	103104007	174
	MOTOR, SHADED POLE, 16 WATT, 1550 RPM, 230 V.	103104008	174
SL15-9(E) THRU SL55-44(E)	MOTOR MOUNT, 43 WATT	12003600	43
SL35-58(E), SL35-70(E), SL45-87(E)	MOTOR MOUNT, 16 WATT	10243000	88

NLA - NO LONGER AVAILABLE

SLIM TEMP - MODELS SLA

MODEL NUMBER	DESCRIPTION	PART NUMBER	LIST PRICE
SLA 17-10	DRAIN PAN (VENTURI)	20997400	\$160
SLA 17-13	DRAIN PAN (VENTURI)	20997600	176
SLA27-17	DRAIN PAN (VENTURI)	20997800	207
SLA27-23	DRAIN PAN (VENTURI)	20996600	244
SLA 37-30	DRAIN PAN (VENTURI)	20996800	289
SLA 47-40	DRAIN PAN (VENTURI)	20997000	319
SLA 57-50	DRAIN PAN (VENTURI)	20997200	395
ALL MODELS	FAN BLADES, 6" DIAM., 21° PITCH, CW, PLASTIC	105849001	51
ALL MODELS	FAN GUARD, PLASTIC,(CLEAR), 6"	205932000	80
ALL MODELS	MOTOR, SKELETON FRAME, SHADED POLE, 43 WATT INPUT, 3000 RPM, 115 V.	102249005	148
ALL MODELS	MOTOR, SKELETON FRAME, SHADED POLE, 43 WATT INPUT, 3000 RPM, 230 V.	102249007	148
ALL MODELS	MOTOR MOUNT	12003600	43

SLIM TEMP - MODELS SLE

ALL "SLE" MODELS	DEFROST CONTROL, DEFROST TERMINATION, (TIMER RESET) 2 WIRE	103079010	\$122
ALL "SLE" MODELS	DEFROST CONTROL, FAN DELAY, 2 WIRE	103079009	122
SLE 15-9	DEFROST HEATER, 400 WATTS, 10-1/4" LENGTH, 115V.	220150001	206
	DEFROST HEATER, 400 WATTS, 10-1/4" LENGTH, 230V.	220150031	236
	DRAIN PAN	20997400	160
SLE 15-12	DEFROST HEATER, 500 WATTS, 14-1/4" LENGTH, 115V.	220150002	207
	DEFROST HEATER, 500 WATTS, 14-1/4" LENGTH, 230V.	220150032	240
	DRAIN PAN	20997600	176
SLE 25-16	DEFROST HEATER, 700 WATTS, 17-3/4" LENGTH, 115V.	220150003	239
	DEFROST HEATER, 700 WATTS, 17-3/4" LENGTH, 230V.	220150033	228
	DRAIN PAN	20997800	207
SLE 25-21	DEFROST HEATER, 700 WATTS, 17-3/4" LENGTH, 115V.	220150003	239
	DEFROST HEATER, 700 WATTS, 17-3/4" LENGTH, 230V.	220150033	228
	DRAIN PAN	20998000	244
SLE 25-28	DEFROST HEATER, 900 WATTS, 25-1/4" LENGTH, 115V.	220150004	264
	DEFROST HEATER, 900 WATTS, 25-1/4" LENGTH, 230V.	220150034	316
	DRAIN PAN	20998200	300
SLE 35-36	DEFROST HEATER, 1200 WATTS, 32-1/4" LENGTH, 115V.	220150005	293
	DEFROST HEATER, 1200 WATTS, 32-1/4" LENGTH, 230V.	220150035	343
	DRAIN PAN	20998400	332
SLE 45-54	DEFROST HEATER, 1500 WATTS, 42" LENGTH, 115V.	220150006	372
	DEFROST HEATER, 1500 WATTS, 42" LENGTH, 230V.	220150036	376
	DRAIN PAN	20998600	411
SLE 35-70	DEFROST HEATER, 2300 WATTS, 69-1/4" LENGTH, 230V.	220150037	422
	DRAIN PAN	20998800	454
SLE 15-9 THRU 25-16	FAN BLADES, 6" DIAM., 21° PITCH, CW, PLASTIC	105849001	51
	FAN GUARD, PLASTIC,(CLEAR), 6"	205932000	80
SLE 25-21 THRU 45-54	FAN BLADES, 8" DIAM., 31° PITCH, CCW	204395010	43
	FAN GUARD, PLASTIC,(CLEAR), 8"	206569000	82
SLE 35-70	FAN BLADES, 10" DIAM., 31° PITCH, CCW	204395018	47
	FAN GUARD, WIRE, EPOXY COATED, 10" (WHITE)	8397053	88
SLE 15-9 THRU 25-16	MOTOR, SKELETON FRAME, SHADED POLE, 43 WATT INPUT, 3000 RPM, 115 V.	102249005	148
	MOTOR, SKELETON FRAME, SHADED POLE, 43 WATT INPUT, 3000 RPM, 230 V.	102249007	148
SLE 25-21 THRU 45-54	MOTOR, SKELETON FRAME, SHADED POLE, 9 WATT, 1550 RPM, 115 V.	103104004	146
	MOTOR, SKELETON FRAME, SHADED POLE, 9 WATT, 1550 RPM, 230 V.	103104005	146
	MOTOR, ECM , 16W, 1550 RPM, 115V	107933006	616
	MOTOR, ECM , 16W, 1550 RPM, 230V	107933003	639
SLE 35-70	MOTOR, SKELETON FRAME, SHADED POLE, 16 WATT, 1550 RPM, 115 V.	103104007	174
	MOTOR, SKELETON FRAME, SHADED POLE, 16 WATT, 1550 RPM, 230 V.	103104008	174
SLE 15-9 THRU 25-16	MOTOR MOUNT	12003600	43
SLE 25-21 THRU 45-54	MOTOR MOUNT	12003000	47
SLE 35-70	MOTOR MOUNT	10243000	88

SLIM TEMP - SPECIAL SLB

SLB- ALL MODELS	SERPENTINE HEATER, 1400WATTS, 230V	NLA	—
-----------------	------------------------------------	-----	---

NLA - NO LONGER AVAILABLE

T TEMP - MODELS TT

MODEL NUMBER	DESCRIPTION	PART NUMBER	LIST PRICE
TT18-8	DRAIN PAN (VENTURI)	20316400	\$160
TT28-13	DRAIN PAN (VENTURI)	20316501	176
TT28-17	DRAIN PAN (VENTURI)	20316502	207
ALL "TT" MODELS	FAN BLADES, 6" DIAM., 21° PITCH, CW , 1/4" BORE, PLASTIC	105849001	51
ALL "TT" MODELS	FAN GUARD, PLASTIC,(CLEAR), 6"	205932000	80
ALL "TT" MODELS	MOTOR, SKELETON FRAME, SHADED POLE, 43 WATT INPUT, 3000 RPM, 115 V.	102249005	148
ALL "TT" MODELS	MOTOR, SKELETON FRAME, SHADED POLE, 43 WATT INPUT, 3000 RPM, 230 V.	102249007	148
ALL "TT" MODELS	MOTOR MOUNT	12003600	43

TWIN TEMP - MODELS TW

TW17-9, TW17-12, TW17-18	DRAIN PAN (VENTURI)	20870100	142
TW17-25, TW17-35	DRAIN PAN (VENTURI)	20873500	142
TW17-45, TW17-55, TW18-65	DRAIN PAN (VENTURI)	20874600	274
TW17-75, 18-85, TW17-105, TW18-120	DRAIN PAN (VENTURI)	10574400	293
TW17-150,180	DRAIN PAN (VENTURI)	NLA	—
TW17-9	FAN BLADES, 8" DIAM., 20° PITCH, CCW, HUBLESS	204395008	43
TW17-12, TW17-18	FAN BLADES, 8" DIAM., 31° PITCH, CCW , HUBLESS	204395010	43
TW17-25, TW17-35	FAN BLADES, 10" DIAM., 20° PITCH, CW , HUBLESS	204395015	47
TW17-45	FAN BLADES, 12" DIAM., 18° PITCH, CCW , 5/16" BORE	214118000	142
TW17-55	FAN BLADES, 12" DIAM., 23° PITCH, CCW , 5/16" BORE	08221169	68
TW18-65	FAN BLADES, 12" DIAM., 23° PITCH, CCW , 5/16" BORE	08221169	68
TW17-75, TW18-85, TW17-105, TW18-120	FAN BLADES, 16" DIAM., 16° PITCH, CCW , 1/2" BORE	11904	192
TW17-150, TW27-300	FAN BLADES, 18" DIAM., 18° PITCH, CCW , 1/2" BORE	NLA	—
TW17-180	FAN BLADES, 18" DIAM., 18° PITCH, CCW , 1/2" BORE	NLA	—
TW27-240	FAN BLADES, 16" DIAM., 23° PITCH, CCW , 1/2" BORE	NLA	—
TW17-9, TW17-12, TW17-18	FAN GUARD, PLASTIC, 8"	206569000	82
TW17-25, TW17-35	FAN GUARD, WIRE, EPOXY COATED , 10", (WHITE)	08397053	88
TW17-45, TW17-55, TW18-65	FAN GUARD, WIRE, EPOXY COATED , 12"	201006011	88
TW17-75, TW18-85, TW17-105, TW18-120, TW27-240	FAN GUARD, WIRE, EPOXY COATED , 16"	201006004	119
TW17-150 THRU TW27-300	FAN GUARD, WIRE, EPOXY COATED , 18"	NLA	—
TW17-9, TW17-12	MOTOR, SHADED POLE, 4 WATT,1550 RPM, 115 V. (USE 103104004)	NLA	—
	EVAP MTR, ECM , 16 W, 1550 RPM, 115v	107933006	616
TW17-18, TW17-25, TW17-35	MOTOR, SHADED POLE, 9 WATT, 1550 RPM, 115 V.	103104004	146
	MOTOR, SHADED POLE, 9 WATT, 1550 RPM, 230 V.	103104005	146
	MOTOR, ECM , 16 WATT, 1550 RPM, 115V	107933006	616
	MOTOR, ECM , 16 WATT, 1550 RPM, 208-230V	107933003	639
TW17-45, TW17-55, TW18-65	MOTOR, SHADED POLE, 1/20 HP, 1550 RPM, 115 V.	08216072	189
	MOTOR, SHADED POLE, 1/20 HP, 1550 RPM, 230 V.	08216071	204
	MOTOR, ECM , 1/30 HP, 1550 RPM, 115V	08216126	720
	MOTOR, ECM , 1/30 HP, 1550 RPM, 230V	08216127	751
TW17-75, TW18-85, TW17-105, TW18-120, TW27-240	MOTOR, SHADED POLE KIT, 1/12 HP, 1050 RPM, 115 V.	08216119	NLA
	SHADED POLE MOTOR ASSY, 1/12 HP, 115-230V	08522774	714
TW17-150, TW17-180, TW27-300	MOTOR, SHADED POLE, 1/6 HP, 1050 RPM, 115/230/1 V.	NLA	—
TW17-9, TW17-12	MOTOR MOUNT (SPECIFY UNIT MODEL AND SERIAL NUMBERS WHEN ORDERING)	NLA	—
TW17-18	MOTOR MOUNT (SPECIFY UNIT MODEL AND SERIAL NUMBERS WHEN ORDERING)	10870202	616
TW17-25	MOTOR MOUNT (SPECIFY UNIT MODEL AND SERIAL NUMBERS WHEN ORDERING)	10873801	639
TW17-35	MOTOR MOUNT (SPECIFY UNIT MODEL AND SERIAL NUMBERS WHEN ORDERING)	10873802	67
TW17-45	MOTOR MOUNT (SPECIFY UNIT MODEL AND SERIAL NUMBERS WHEN ORDERING)	10874700	38
TW17-55, TW18-65	MOTOR MOUNT (SPECIFY UNIT MODEL AND SERIAL NUMBERS WHEN ORDERING)	10874800	116
TW17-75 THRU TW17-180	MOTOR MOUNT (SPECIFY UNIT MODEL AND SERIAL NUMBERS WHEN ORDERING)	10019700	136
TW27-210 THRU TW27-240	MOTOR MOUNT (SPECIFY UNIT MODEL AND SERIAL NUMBERS WHEN ORDERING)	10101200	NLA
TW27-300	MOTOR MOUNT (SPECIFY UNIT MODEL AND SERIAL NUMBERS WHEN ORDERING)	10575000	NLA

NLA - NO LONGER AVAILABLE

WALL TEMP - MODELS WA

MODEL NUMBER	DESCRIPTION	PART NUMBER	LIST PRICE
WA17-6	DRAIN PAN (VENTURI)	105633001	\$141
	FAN BLADES, 8" DIAM., 20° PITCH, CCW , HUBLESS	204395008	43
	FAN GUARD, PLASTIC, 8"	206569000	82
	MOTOR, SHADED POLE, 4 WATT,1550 RPM, 115 V. (USE 103104004)	NLA	—
	MOTOR, ECM , 16 WATT, 1550 RPM, 115V	107933006	616
WA17-9	DRAIN PAN (VENTURI)	105633001	141
	FAN BLADES, 8" DIAM., 20° PITCH, CCW , HUBLESS	204395008	43
	FAN GUARD, PLASTIC, 8"	206569000	82
WA17-12, WA17-18	DRAIN PAN (VENTURI)	105633002	141
	FAN BLADES, 8" DIAM., 31° PITCH, CCW , HUBLESS	204395010	43
	FAN GUARD, PLASTIC, 8"	206569000	82
MOTORS: WA17-9 WA17-12, WA17-18	MOTOR, SHADED POLE, 9 WATT, 1550 RPM, 115 V.	103104004	146
	MOTOR, SHADED POLE, 9 WATT, 1550 RPM, 230 V.	103104005	146
	MOTOR, ECM , 16 WATT, 1550 RPM, 115V	107933006	616
	MOTOR, ECM , 16 WATT, 1550 RPM, 208-230V	107933003	639
WA17-25, WA17-35	DRAIN PAN (VENTURI)	20192600	165
	FAN BLADES, 10" DIAM., 20° PITCH, CCW , 5/16" BORE	204395016	47
	FAN GUARD, WIRE, EPOXY COATED, 10", (WHITE)	08397053	88
	MOTOR, SHADED POLE, 1/20 HP, 1550 RPM, 115 V.	08216072	189
	MOTOR, SHADED POLE, 1/20 HP, 1550 RPM, 230 V.	08216071	204
	MOTOR, ECM , 1/30 HP, 1550 RPM, 115V	08216126	720
	MOTOR, ECM , 1/30 HP, 1550 RPM, 230V	08216127	751
WA17-45	DRAIN PAN (VENTURI)	105633004	165
	FAN BLADES, 12" DIAM., 23° PITCH, CCW , 1/2" BORE	11860	142
	FAN GUARD, WIRE, EPOXY COATED, BLUE, 12"	201006011	88
	MOTOR ASSY., 1/12 HP, 115/230 V.	8522774	768
	MOTOR, SHADED POLE, 1/12 HP, 1050 RPM, 115/230 V.	8286119	531

WEDGE TEMP - MODELS WE

WE17-12	DRAIN PAN (VENTURI)	20193200	274
	FAN BLADES, 8" DIAM., 31° PITCH, CCW , HUBLESS	204395010	43
	FAN GUARD, PLASTIC, 8"	206569000	82
	MOTOR, SHADED POLE, 4 WATT,1550 RPM, 115 V. (USE 103104004)	NLA	—
WE17-15	DRAIN PAN (VENTURI)	20193200	274
	FAN BLADES, 8" DIAM., 31° PITCH, CCW , HUBLESS	204395010	43
	FAN GUARD, PLASTIC, 8"	206569000	82
	MOTOR, SHADED POLE, 9 WATT, 1550 RPM, 115 V.	103104004	146
	MOTOR, SHADED POLE, 9 WATT, 1550 RPM, 230 V.	103104005	146
WE17-18	DRAIN PAN (VENTURI)	20193000	274
	FAN BLADES, 8" DIAM., 31° PITCH, CCW , HUBLESS	204395010	43
	FAN GUARD, PLASTIC, 8"	206569000	82
	MOTOR, SHADED POLE, 9 WATT, 1550 RPM, 115 V.	103104004	146
	MOTOR, SHADED POLE, 9 WATT, 1550 RPM, 230 V.	103104005	146
WE17-25	DRAIN PAN (VENTURI)	105633003	310
	FAN BLADES, 10" DIAM., 20° PITCH, CCW , HUBLESS	204395016	47
	FAN GUARD, WIRE, EPOXY COATED, 10"	8397053	88
	MOTOR, SHADED POLE, 9 WATT, 1550 RPM, 115 V.	103104004	146
	MOTOR, SHADED POLE, 9 WATT, 1550 RPM, 230 V.	20192600	146
WE17-35	DRAIN PAN (VENTURI)	20192400	310
	FAN BLADES, 10" DIAM., 31° PITCH, CCW , HUBLESS	204395018	47
	FAN GUARD, WIRE, EPOXY COATED, 10"	8397053	88
	MOTOR, SHADED POLE, 16 WATT, 1550 RPM, 115 V.	103104007	174
	MOTOR, SHADED POLE, 16 WATT, 1550 RPM, 230 V.	103104008	174
EC MOTORS: WE17-12, -15,-18, -25, -35	MOTOR, ECM , 16 WATT, 1550 RPM, 115V	107933006	616
	MOTOR, ECM , 16 WATT, 1550 RPM, 208-230V	107933003	639
WE17-45, WE18-55	DRAIN PAN (VENTURI)	20194000	332
	FAN BLADES, 12" DIAM., 23° PITCH, CCW , 5/16" BORE	08221169	68
	FAN GUARD, WIRE, EPOXY COATED, 12"	201006011	88
	MOTOR, SHADED POLE, 1/20 HP, 1550 RPM, 115 V.	08216072	189
	MOTOR, SHADED POLE, 1/20 HP, 1550 RPM, 230 V.	08216071	204
	MOTOR, ECM , 1/30 HP, 1550 RPM, 115V	08216126	720
	MOTOR, ECM , 1/30 HP, 1550 RPM, 230v	08216127	751

NOTE: CHECK "CS" FOR STYLE OF 1/20 HP MOTOR FOR WE-17-45, 18-55, AND 28-110

WE28-110	DRAIN PAN / VENTURI (220061 OR 220061BLK)	NLA	—
	FAN BLADES, 12" DIAM., 19° PITCH, CCW , 5/16" BORE	11860	142
	FAN GUARD, WIRE, EPOXY COATED, 12"	201006011	88
	MOTOR, SHADED POLE, 1/20 HP, 1550 RPM, 115 V.	102540001	189
	MOTOR, SHADED POLE, 1/20 HP, 1550 RPM, 230 V.	102540002	204

NLA - NO LONGER AVAILABLE

MULTICON AIR COOLED CONDENSERS - Common Parts

MODEL NUMBER	DESCRIPTION	PART NUMBER	LIST PRICE
COMMON PARTS	Disconnect, thru the door, 30A	08218990	\$505
	Disconnect, thru the door, 60A	08218991	602
	Disconnect, thru the door, 80A	08218992	797
	Disconnect, thru the door, 100A	08218993	853
	Disconnect, thru the door, 30A, 18"/ 22" fans	08218379	399
	Contact, 3P, 25-30A, 24V control	08219028	86
	Contact, 3P, 25-30A, 115V control	08219002	86
	Contact, 3P, 25-30A, 208-230V control	08219018	93
	Contact, 3P, 25-30A, 460V control	08219012	96
	Contact, NEMA1,3P,27A,208-230V control	104461733	641
	Fan Cycling, Pressure, Standard, R12,R22,R404A,R134A	08219003	348
	Fan Cycling, Ambient, Standard, R12,R22,R404A,R134A	08219006	154
	Fan Cycling, Pressure, R410A	08219463	386
	P66, Single Tap, R22/R404	08219427	1024
	P66, Dual Tap, R22/R404	08219429	1603
	P66, Single Tap, R134A	08219437	909
	P66, Single Tap,R410A	08219461	1422
	P66,Dual Tap, R410A	08219462	1976
	Shut Off Valve (P66 and Pressure cycling)	08356559	161

SMALL AIR COOLED CONDENSERS - MODELS RDS

MODEL NUMBER	DESCRIPTION	PART NUMBER	LIST PRICE	
Models 001 thru 011	MOTOR, .33 HP, 1140RPM, 208-230/3/60/50	08216106	\$463	
	MOTOR, PSC, .33 HP, 1140RPM, 208-230/1/60/50	205051004	362	
	5 MFD CAPACITOR FOR MOTOR 205051004	202163004	42	
	FAN BLADE, 22" DIA., 28" PITCH, 5/8" bore.	08221154	119	
	MOTOR, PSC, .33 HP, 1140 RPM, 208-230/1/60/50 for use with P-66	08216008	574	
	15 MFD CAPACITOR FOR MOTOR 008216008	08352607	45	
	MOTOR, .33 HP, 1140 RPM, 460/3/60/50	08216107	769	
	MOTOR, PSC, .33 HP, 1140 RPM, 460/1/60/50 for use with P-66	08216009	590	
	15 MFD CAPACITOR FOR MOTOR 08216009	08352607	45	
	MOTOR, .25 HP, 850 RPM, 208-230/460/3/60/50	08216075	1085	
	MOTOR, PSC, .25 HP, 850 RPM, 208-230/1/60/50 (Cap. On motor)	08216076	919	
	MOTOR, TOTALLY ENCL., 1/2 HP, 1140 RPM, 208-230/460/3/60/50	08352607	45	
	MOTOR, PSC, TOT. ENCL., 1/2 HP, 1140 RPM, 208-230//460/1/60/50	08216081	870	
	MOTOR MOUNT FOR .33 HP MOTORS	08397056	184	
	MOTOR MOUNT FOR .25 HP MOTOR 08216075 & 08216046 WITH 22" FAN	08519019	184	
	MOTOR MOUNT FOR .25 HP MOTOR 08216075 & 08216046 WITH 18" FAN	08519022	184	
	FAN GUARD, 18" DIAM., EPOXY COATED WIRE.	08397011	113	
	FAN GUARD, 22" DIAM., EPOXY COATED WIRE.	08397012	135	
	MODELS 001 & 002	FAN BLADE, 18" DIAM., 34" PITCH, CW, 5/8" BORE (for 1140 RPM MTRS)	08221022	121
	MODELS 003 thru 011	FAN BLADE, 22" DIAM., 28" PITCH, 1/2" BORE (for 1140 RPM MTRS)	08221154	119
MODELS 001 & 002	FAN BLADE, 18" DIAM., 34" PITCH, CW, 1/28" BORE (for 850 RPM MTRS)	08221076	117	
MODELS 003 thru 009	FAN BLADE, 22" DIAM., 28" PITCH, 5/8" BORE. (for 850 RPM MTRS)	08221023	119	

LARGE AIR COOLED CONDENSERS - MODELS RDS/RDD

MODEL NUMBER	DESCRIPTION	PART NUMBER	LIST PRICE
1140 RPM MODELS RDS009 THRU RDD229	MOTOR, 1.5 HP, 1140 RPM, 208-230/460/3/60/50	110204000	\$1,493
	MOTOR, 1.5 HP, 1140 RPM, 575/3/60	118570001	2227
	MOTOR, TOTALLY ENCLOSED, 1.5 HP, 1140 RPM, 208/230/3/60/50	08216154	2501
	FAN BLADE, 30" DIAM., 24" PITCH, 4 BLADE, CW, 5/8 BORE	08221151	466
	MOTOR, 1.0 HP, 1140 RPM, 208-230/1/60/50 (USE WITH P-66 CONTROLLER)	08216098	2079
	30 MFD CAPACITOR FOR MOTOR 008216098 (USE WITH P-66 CONT)	08352555	66
	FAN BLADE, 30" DIAM., 21" PITCH, 3 BLADE, CW, 5/8 BORE (USE WITH P-66)	08221180	385
	MOUNT FOR 1140 RPM MOTORS ABOVE	08522568	412
	FAN GUARD, 30" DIAM., EPOXY COATED WIRE.	08221151	466
	850 RPM MODELS RDS009 THRU RDD213	MOTOR, 1.5 HP, 850 RPM, 208-230/460/3/60/50	08216100
FAN BLADE, 30" DIAM., 31" PITCH, 5 BLADE, CW, 5/8 BORE (use with 08216100)		08221152	257
MOTOR, 1.0 HP, 850 RPM, 208-230/460/3/60/50		114105000	2079
MOTOR, 1.0 HP, 850 RPM, 575/3/60		114105002	2540
MOTOR, 1.0 HP, 850 RPM, 380/3/60		114105001	2184
FAN BLADE, 30" DIAM., 28" PITCH, 4 BLADE, CW, 5/8 BORE (for 1 HP's above)		08221151	466
MOUNT FOR 850 RPM MOTORS ABOVE		08522568	412
FAN GUARD, 30" DIAM., EPOXY COATED WIRE.		08397044	191
550 RPM MODELS RDS008 THRU RDD158	MOTOR, 1/3 HP, 550 RPM, 208-230/460/3/60/50	119226000	1151
	METAL FAN BLADE, 30" DIAM., 31" PITCH, 5 BLADE, CW, 5/8 BORE	08221152	257
	SWEPT WING FAN, 30" DIAM., 25" PITCH, CW, 1/2 BORE	08221181	466
	FAN BLADE, 30" FB II	121424000	655
	MOUNT FOR 550 RPM MOTORS ABOVE	08522568	412
	FAN GUARD, 30" DIAM., EPOXY COATED WIRE. (Not for FB II)	08397044	191
	FAN GUARD, 30" DIAM. FOR FB II FANS	119397000	124
VSEC MODELS RDS011 THRU 250	SHEET METAL STACK FOR FB II FANS	08518318	191
	ELECTRONICALLY COMMUTATED MOTOR & FAN ASSEMBLY, 460/3/60	08216161	7661
	ELECTRONICALLY COMMUTATED MOTOR & FAN ASSEMBLY, 208-230/3/60	C/F	C/F

MULTICON AIR COOLED CONDENSERS - MODELS VAC, VEQ (1 - 4)

MODEL NUMBER	DESCRIPTION	PART NUMBER	LIST PRICE
VAC 1 - 2 & VEQ 1 - 2	FAN BLADES, 16" DIAM., 34° PITCH, CW, 5/8" BORE	08221022	\$121
VAC 4 & VEQ 3	FAN BLADES, 22" DIAM., 28° PITCH, CW, 5/8" BORE	08221023	119
VAC 1 - 2 & VEQ 1 - 2	FAN GUARD, WIRE, EPOXY COATED, 16"	08397006	91
VAC 4 & VEQ 3	FAN GUARD, WIRE, EPOXY COATED, 22"	08397012	135
VAC 1 - 4	MOTOR, SHADED POLE, 1/2 HP, 1140 RPM, 208-230/460/1	08216006	698
VAC 1 - 4	MOTOR, SHADED POLE, 1/2 HP, 1140 RPM, 208-230/460/3	08216007	1224
VEQ 1 & 3	MOTOR, SHADED POLE, 1/4 HP, 825 RPM, 208-230/460/1	08216076	919
VEQ 2 & 3	MOTOR, SHADED POLE, 1/4 HP, 825 RPM, 208-230/460/3	08216075	1085

MULTICON AIR COOLED CONDENSERS AND FLUID COOLERS - MODELS VAC, VEQ, FVAC

VAC, AND FVAC 5 THRU 19	FAN BLADES, 24" DIAM., 30° PITCH, CW, 1/2" BORE	213455000	\$293
	FAN GUARD, WIRE, EPOXY COATED, 24"	202136001	430
	MOTOR, PSC, 3/4 HP, 1075RPM, 208-230/60/1	205051009	954
	MOTOR, PSC, 3/4 HP, 1075RPM, 460/1/60	205051002	1026
	MOTOR, 3/4 HP, 1140 RPM, 230/460/3/60	205051012	1529
	MOTOR, PSC, 1/2 HP, 1075RPM, 575/1/60	115952000	841
	MOTOR MOUNT, 24"	205269000	206
VAC AND FVAC 22 THRU 216	CAPACITOR, 7.5 MFD, 208/1/60 MOTORS ONLY	202163006	45
	CAPACITOR, 5 MFD, 230/460/1/60 MOTORS ONLY	202163007	42
	FAN BLADES, 30" DIAM., 24° PITCH, CW, 5/8" BORE	210385000	466
	FAN GUARD, WIRE, EPOXY COATED, 30"	202136011	191
	MOTOR, 1-1/2 HP, 1140 RPM, 208-230/460/3/60	110204000	1493
	MOTOR, 1-1/2 HP, 1140 RPM, 575/3/60	118570001	2227
	MOTOR MOUNT, 30"	125215001	412
VEQ 21 thru VEQ 189	FAN BLADES, 30" DIAM., 24° PITCH, CW, 5/8" BORE	210385000	466
	FAN GUARD, WIRE, EPOXY COATED, BLACK, 30"	202136011	191
	MOTOR, 1 HP, 850 RPM, 208-230/460/3/60	114105000	2079
	MOTOR MOUNT, 30"	125215001	412

AIR COOLED CONDENSERS, ACE

ALL MODELS	MOTOR, 1/3 HP, 550 RPM, 208-230/460/3/60/50	119226000	1151
	METAL FAN BLADE, 30" DIAM., 31° PITCH, 5 BLADE, CW, 5/8 BORE	08221152	257
	SWEPT WING FAN, 30" DIAM., 25° PITCH, CW, 1/2 BORE	08221181	466
	FAN BLADE, 30" FB II	121424000	655
	MOUNT FOR 550 RPM MOTORS ABOVE	08522568	412
	FAN GUARD, 30" DIAM., EPOXY COATED WIRE. (Not for FB II)	08397044	191
	FAN GUARD, 30" DIAM. FOR FB II FANS	119397000	124
	SHEET METAL STACK FOR FB II FANS	08518318	191

MULTICON AIR COOLED CONDENSERS AND FLUID COOLERS - MODELS RAC, FRAC

RAC, & FRAC 3/4 TO 1	FAN BLADES, 16" DIAM., 27° PITCH, CW, 1/2" BORE	11905	\$176
RAC & FRAC 1-1/2 THRU 3	FAN BLADES, 20" DIAM., 27° PITCH, CW, 1/2" BORE	214040000	256
RAC & FRAC 3/4 TO 1	FAN GUARD, WIRE, EPOXY COATED, 16"	201006004	119
RAC & FRAC 1-1/2 TO 3	FAN GUARD, WIRE, EPOXY COATED, 20"	201006007	210
ALL MODELS	MOTOR, SHADED POLE, 1/6 HP, 1050 RPM, 115/208-230/1	08216025	NLA

MULTICON AIR COOLED CONDENSERS AND FLUID COOLERS - MODELS TD, FTD

ALL MODELS	CAPACITOR, ALL MOTORS, 5 MFD, 208-230/460/1/60	202163004	\$42
ALL MODELS	FAN BLADES, 24" DIAM., 30° PITCH, CW, 1/2" BORE	213455000	293
ALL MODELS	FAN GUARD, WIRE, EPOXY COATED, 24"	202136001	430
ALL MODELS	MOTOR, PSC, 3/4 HP, 1075RPM, 208-230/1/60	205051009	954
ALL MODELS	MOTOR, PSC, 3/4 HP, 1075RPM, 460/1/60	205051002	1026
ALL MODELS	MOTOR MOUNT, 24"	205269000	206

SMALL AIR COOLED CONDENSERS - MODELS ACS, ACL

ALL MODELS	FAN BLADES, 22" DIAM., 29° PITCH, CW, 1/2" BORE	08221154	\$119
	FAN CYCLING CONTROL, PRESSURE	08219003	348
	FAN CYCLING CONTROL, AMBIENT	08219006	154
	P-66 FAN SPEED CONTROL, SINGLE PORT	08219427	1,024
	P-66 FAN SPEED CONTROL, DUAL PORT	08219429	1,603
	P-66 FAN SPEED CONTROL	08219437	909
	CONTACTOR, 24 VOLT COIL, 3 POLE	08219028	86
	CONTACTOR, 115 VOLT COIL, 3 POLE	08219002	86
	CONTACTOR, 208-230 VOLT COIL, 3 POLE	08219018	93
	CONTACTOR, 460 VOLT COIL, 3 POLE	08219012	96
	TRANSFORMER, 208-230 TO 24V	08218258	60
	TRANSFORMER, 480 TO 24V	08218259	63
	MOTOR MOUNT, 22"	08397056	184
	MOTOR, PSC, 1/3 HP, 208-230/1, 1075 RPM, CW††	08216089	427
	MOTOR, PSC, 1/3 HP, 208-230/3, 1075 RPM, CW††	08216106	463
ACS 001 THRU 012	MOTOR, PSC, 1/3 HP, 460/1, 1075 RPM, CW††	08216088	534
	MOTOR, PSC, 1/3 HP, 460/3, 1075 RPM, CW††	08216107	769
	MOTOR, PSC, 1/2 HP, 230-460/3, 1075 RPM, CW††	08216068	1,040
	MOTOR, PSC, 1/2 HP, 575/1, 1075 RPM, CW††	08216036	1,490
	CAPACITOR(LOOSE) 208-230 OR 460 MOTORS, 7.5 MFD	08216057	26
	MOTOR, PSC, 1/2 HP, 208-230/460/1, 1075 RPM†	08216006	698
ACS 001 THRU 012	MOTOR, REV, 1/2 HP, 208-230/460/3, 1125 RPM, 5/8 SHAFT†	08216007	1,224
	MOTOR, REV, 1/4 HP, 208-230/460/3, 825 RPM, 5/8 SHAFT†	08216075	1,085
ACL 001 THRU 011	MOTOR, PSC, 1/4 HP, 208-230/460/1, 825 RPM, 5/8 SHAFT†	08216076	919
	FAN GUARD, WIRE, EPOXY COATED, 18"	08397011	113
ACS, ACL 001 THRU 002	MOTOR RAIL 25" (18" FAN)	08519022	184
	FAN GUARD, WIRE, EPOXY COATED, 22"	08397012	135
ACS, ACL 003 THRU 012	MOTOR RAIL 30" (22" FAN)	08519019	184

† FOR USE WITH P-66 FAN SPEED CONTROL MOTOR ONLY

‡ CAPACITOR REQUIRED

MULTICON COMPUTER ROOM AIR COOLED CONDENSER - MODELS CAC

MODEL NUMBER	DESCRIPTION	PART NUMBER	LIST PRICE
CAC 5 THRU CAC 80	FAN BLADES, 24" DIAM., 30° PITCH, CW, 1/2" BORE	213455000	\$293
	FAN GUARD, WIRE, EPOXY COATED, 24", BLACK	202136005	430
	MOTOR, (HEADER END VARI-SPEED), PSC, 3/4 HP, 1075RPM, 208-230/60/1	205051015	1140
	CAPACITOR, 15 MFD, (FOR 208/230/1/60 VARI-SPEED MOTOR)	08352607	45
	MOTOR, (NON-HEADER END), PSC, 3/4 HP, 1075 RPM, 208-230/60/1	205051009	954
	CAPACITOR, 5 MFD, 230/460/1/60NON VARI-SPEED MOTORS ONLY	202163004	42
	MOTOR, (HEADER END VARI-SPEED), PSC, 3/4 HP, 1075 RPM, 460/60/1 (CAP not included)	205051016	1234
	CAPACITOR, 15 MFD, (FOR 460/1/60 VARI-SPEED MOTOR)	08352607	45
	MOTOR, (NON-HEADER END), PSC, 3/4 HP, 1075 RPM, 460/60/1 (CAP not included)	205051002	1026
CAPACITOR, 5 MFD, 230/460/1/60NON VARI-SPEED MOTORS ONLY	202163004	42	
	MOTOR MOUNT, 24", ALL CAC MODELS	205269000	206
CBC 27 THRU CBC 164	FAN BLADES, (HEADER END ONLY) 24" DIAM., 30° PITCH, CW, 1/2" BORE	213455000	293
	FAN BLADES, (NON-HEADER END) 30" DIAM., 24° PITCH, CW, 5/8" BORE	210385000	466
	FAN GUARD, WIRE, EPOXY COATED, 24", BLACK	202136005	430
	FAN GUARD, WIRE, EPOXY COATED, 30", BLACK	202136011	191
	MOTOR, (HEADER END VARI-SPEED), PSC, 3/4 HP, 1075 RPM, 208-230/60/1	205051015	1140
	MOTOR, (NON-HEADER END), 1-1/2 HP, 1075 RPM, 208-230/460/60/3	110204000	1493
	MOTOR, (HEADER END VARI-SPEED), PSC, 3/4 HP, 1075 RPM, 460/60/1	205051016	1234
	MOTOR MOUNT, (HEADER END), 24"	205269000	206
	MOTOR MOUNT, (NON-HEADER END), 30"	125215001	412
ALL CAC/CBC MODELS	MOTOR SPEED CONTROLLER, SINGLE INPUT, 208-230/460/1/60 (P66AAB-6)	204464043	1221
ALL CAC/CBC MODELS	MOTOR SPEED CONTROLLER, DUAL INPUT, 208-230/460/1/60 (P66BAB-3)	204464044	1280
ALL MODELS	TRANSFORMER, CONTROL VOLTAGE, PRIMARY 230 V, SECONDARY 24 V	104532008	359
	TRANSFORMER, CONTROL VOLTAGE, PRIMARY 460 V, SECONDARY 24 V	104532021	359

**MINICON AIR COOLED CONDENSING UNITS (1/2 - 6 HP)
MODELS M*H, M*S, M*O, M*D, R*H, R*S, R*O, R*D**

1/2 THRU 2 HP MODELS BUILT BEFORE 10 / 2002	FAN BLADE, 12" DIAM., 24° PITCH, CW	107943000	\$71
	FAN GUARD, WIRE, EPOXY COATED, WHITE., 12" (INDOOR MODELS ONLY) †	08397040	102
	FAN GUARD, WIRE, EPOXY COATED, BLACK, 12" (INDOOR MODELS ONLY) †	201006011	88
	MOTOR, SHADED POLE, 1/20 HP, 1550 RPM, 230/1	10254004	204
	OUTDOOR HOUSING	OH-MC1	735
	MOTOR MOUNT (OUTDOOR MODELS)	21062000	122
	MOTOR MOUNT (OUTDOOR MODELS) - S100M / H201M MODELS BEFORE 6/01	21279300	122
"R" SERIES 1/2 THRU 3 HP MODELS BUILT 10 / 2002 AND AFTER AND 2 - 3 HP SCROLLS BUILT AFTER 4 / 2003	FAN BLADE, 12" DIAM., 24° PITCH, CCW	119103001	71
	FAN GUARD, WIRE, EPOXY COATED, 12" (INDOOR MODELS ONLY)	123334000	159
	GRILLE, WIRE, EPOXY COATED, 15" (OUTDOOR MODELS ONLY)	123064000	66
	FIXED LOW CUT OUT CONTROL - HIGH/MED TEMP MODELS (EXCEPT "CR" COMP'S)	204464232	285
	HIGH CUT OUT CONTROL - ALL MODELS	204464208	221
	MOTOR MOUNT (OUTDOOR MODELS)	21062000	122
	MOTOR, SHADED POLE, 1/20 HP, 1550 RPM, 230/1	108178002	296
	MOTOR, SHADED POLE, 1/20 HP, 1550 RPM, 460/1	102540005	280
	MOTOR, PSC, 1/20 HP, 1550 RPM, 230 V., (2 MFD CAPACITOR NOT INCLUDED)	108178002	296
	CAPACITOR, 2 MFD, FOR 1/20 230 V. PSC MOTOR	202163009	45
MOTOR, ECM , 1/8 HP, 1075 RPM, CCW, 230V	08216129	888	
2-1/2 THRU 3 HP MODELS BUILT AFTER 4 / 2003	FAN BLADE, 20" DIAM., 18° PITCH, CW	214040000	256
	FAN GUARD, WIRE, EPOXY COATED, BLACK, 20" (INDOOR MODELS ONLY)	213484000	210
	MOTOR, SHADED POLE, 1/6 HP, 1050 RPM, 230/1 (UNITS BUILT BEFORE MAR. 31, 2001)	08216025	NLA
	MOTOR, PSC, 1/3 HP, 1075 RPM, 208-230/1 (UNITS BUILT AFTER MAR. 31, 2001)	205051004	362
	MOTOR, ECM , 1/3 HP, 1075 RPM, CCW, 230V	08216131	1,033
ALL 4 THRU 6 HP MODELS AND 2 - 3 HP SCROLLS BUILT BEFORE 4 / 2003	FAN BLADE, 20" DIAM., 29° PITCH, CW ‡	213156000	256
	FAN BLADE, 24" DIAM., 28° PITCH, CCW (R-SERIES ONLY)	213266000	293
	FAN GUARD, WIRE, EPOXY COATED, BLACK, 20" (INDOOR MODELS ONLY)	213484000	210
	GRILLE, WIRE, EPOXY COATED, 30"	124027000	293
	MOTOR, PSC, 1/3 HP, 1075 RPM, 208-230/1	205051004	362
	MOTOR, PSC, 3/4 HP, 1075 RPM, 460/1	205051002	1,026
	MOTOR, ECM , 1/3 HP, 1075 RPM, CCW, 230V	08216131	1,033
	CAPACITOR, 5 MFD, 230/460/1/60 MOTORS ONLY	202163004	42
	MOTOR MOUNT - WIRE, 24"	212837000	206
MOTOR MOUNT - WIRE, 20" ‡	210225000	206	
ALL MODELS 1/2 THRU 6 HP	ADJUSTABLE LOW CUT OUT CONTROL ‡ (STD ON "CR" COMP'S)	204464021	285
	HIGH CUT OUT CONTROL - ALL MODELS	204464208	221
	HIGH CUT OUT CONTROL ‡	204464049	221
	DISCHARGE T-STAT KIT (KLIXON STYLE)	118431442	188
	RELAY - DELAY, 90 sec, D.O.B., 230 V	104799010	112
	SEQUENCING RELAY - R2, DPDT, 30 AMP, 208/240 V, "ICE CUBE RELAY"	104799020	213

NOTES: CONTACT FACTORY FOR SIERRA AND HIGH SIERRA PARTS

† - NOT AVAILABLE FOR "P" REVISION MODELS

‡ - EXCLUDES "R" SERIES UNITS. SEE "R" SERIES FOR REPLACEMENT

"D" STYLE AIR COOLED CONDENSING UNITS (3 THRU 22 HP) - MODELS DC, DE, DL, DS

MODEL NUMBER	DESCRIPTION	PART NUMBER	LIST PRICE
3L22, 3L52, 3L44, 3L57, 4L22, 4L44, 4L57, 5L22, 5L52, 5L44, 5L57, 6M44, 6L22, 6L52, 6L44, 6L57, 7H22, 7M52, 7M44, 7M57, 8H22, 8M52, 8M44, 8M57, 8L22, 8L44, 8L57, 9L22, 9L52, 9L44, 9L57, 10L22, 10L52, 10L44, 10L57, 12L22, 12L52, 12L44, 12L57	MOTOR, PSC, 1/3 HP, 1075 RPM, 208-230/1 V. (CAPACITOR NOT INCLUDED)	205051004	\$362
	MOTOR, PSC, 3/4 HP, 1075 RPM, 460/1 V. (CAPACITOR NOT INCLUDED)	205051002	1026
	MOTOR, ECM , 1/3 HP, 1075 RPM, CCW, 230V	08216131	1033
	CAPACITOR, 7.5 MFD, 230/1 V. MOTORS ONLY	202163006	45
5H22, 5M22, 5M44, 5M57, 10H22, 10M52, 10M44, 10M57, 12H22, 12M44, 15H22, 15M52, 15L52, 15L22, 15L44, 15L57, 22L22, 22L52, 22L44, 22L57	MOTOR, PSC, 3/4 HP, 1075 RPM, 208-230/1 V. (CAPACITOR NOT INCLUDED)	205051009	954
	MOTOR, PSC, 3/4 HP, 1075 RPM, 460/1 V. (CAPACITOR NOT INCLUDED)	205051002	1026
	MOTOR, PSC, 1/2 HP, 1075RPM, 575/1/60	115952000	841
	MOTOR, ECM , 3/4 HP, 1075 RPM, CCW, 230V	08216132	1333
	CAPACITOR, 5MFD, 230/1 V. MOTORS ONLY	202163004	42
ALL MODELS	CAPACITOR, 5MFD, 460/1 V. MOTORS ONLY	202163004	42
ALL MODELS	FAN BLADE, 24" DIAM., 28° PITCH, CCW, 1/2" HUB	213266000	293
ALL MODELS	MOTOR MOUNT / FAN GUARD, 24", COMBINATION	204340000	210
ALL MODELS	HI-LO PRESSURE CONTROL	204464041	533
ALL MODELS	OIL FAILURE CONTROL	204464009	552

"V" STYLE AIR COOLED CONDENSING UNITS (20 THRU 80 HP) - MODELS VC, VL, VS

ALL MODELS	FAN BLADES, 30" DIAM., 24° PITCH, CW, 5/8" BORE	210385000	466
ALL MODELS	FAN GUARD, WIRE, EPOXY COATED, 30"		191
ALL MODELS	MOTOR, 1-1/2 HP, 1140RPM, 208-230/460/60/3	110204000	1493
ALL MODELS	MOTOR, 1-1/2 HP, 1140RPM, 575/3	118570001	2227
ALL MODELS	MOTOR MOUNT, 30"	125215001	412

RUSSETTE AIR COOLED CONDENSING UNITS (1/2 THRU 3 HP) - MODELS RC, RE, RS

ALL MODELS	FAN BLADES, 20" DIAM., 27° PITCH, CW, 1/2" BORE	214040000	\$256
ALL MODELS	FAN GUARD, WIRE, EPOXY COATED, BLACK, 20"	213484000	210
ALL MODELS	FAN GUARD, WIRE, EPOXY COATED, BLUE, 20"	201006007	210
ALL MODELS	MOTOR, SHADED POLE, 1/6 HP, 1050 RPM, 115V/230/1	08216025	NLA

RUSSCON AIR COOLED CONDENSING UNITS (5 THRU 30 HP) - MODELS H, L, M, HE, LE, ME

ALL MODELS	FAN BLADE, 24" DIAM., 28° PITCH, CCW ROTATION, 1/2" HUB	213266000	293
H31, M31, L35, M51, L55, H51, M61, L65, M81, L85, H81, H82, H101, M101, L105, L155, M61, L65	MOTOR, PSC, 1/3 HP, 1075 RPM, 208-230/1 V. (CAPACITOR NOT INCLUDED)	205051004	362
	MOTOR, PSC, 3/4 HP, 1075 RPM, 460/1 V. (CAPACITOR NOT INCLUDED)	205051002	1026
	CAPACITOR, 5 MFD	202163004	42
H102, H151, H152, L205, L255, H202, I305	MOTOR, PSC, 3/4 HP, 1075 RPM, 208-230/1 V. (CAPACITOR NOT INCLUDED)	205051009	954
	MOTOR, PSC, 3/4 HP, 1075 RPM, 460/1 V. (CAPACITOR NOT INCLUDED)	205051002	1026
	CAPACITOR, 7.5MFD	202163006	45
ALL MODELS	MOTOR MOUNT / FAN GUARD, 24", COMBINATION	204340000	210

MISCELLANEOUS SPARE PARTS

DESCRIPTION	PART NUMBER	LIST PRICE
THERMOSTAT, AMBIENT FAN CYCLE	204464002	412
FAN BLADE, 11", 32° PITCH, CW ROTATION	NLA	—
3/4" BRASS DRAIN FITTING	NLA	—
SLINGER SHIELD - 1/2" SHAFT	102548002	42
SLINGER SHIELD - 5/8" SHAFT	102548001	46
CONTACTOR, 25 AMP, 3 POLE, 208-230/460	104461097	402
CONTACTOR, 30 AMP, 3 POLE, 208-230/460	104461098	424
CONTACTOR, 40 AMP, 3 POLE, 208-230/460	104461099	486
CONTACTOR, 50 AMP, 3 POLE, 208-230/460	104461111	603
CONTACTOR, 75 AMP, 3 POLE, 208-230/460	104461115	1050

NLA - NO LONGER AVAILABLE

HIGH SIERRA REPLACEMENT PARTS - LISTING BY PRODUCT MODEL NUMBER

LOW TEMP. MODELS*

HIGH SIERRA W/R-SERIES CONDENSING UNIT - MODELS RHH, RHS, RHD, RHO

COMP. TYPE	MODEL NUMBER	DESCRIPTION	PART NUMBER	LIST PRICE
HERMETIC	ALL RHH LOW TEMP. MODELS†	VALVE, REVERSING, 1/2 X 7/8 X 7/8	21012	\$563
		STRAINER, CONE, 1/2, 100M	123277001	25
		MOTOR, SHADED POLE, 1/20 HP, 1550 RPM, 230/1	102540004	189
		FAN BLADE, 12" DIAM., 24° PITCH, CCW	119103001	71
		LOW CUT OUT CONTROL	204464232	285
		HIGH CUT OUT CONTROL	204464208	221
		THERMOSTAT, AMBIENT FAN CYCLE	204464002	412
	RHH100L44	VALVE, TXV, 3/8 X 1/2 ODF, SWEAT	SBFSE-AA-Z	406
		FILTER, LIQUID, BI-FLO, 3/8SW	104471048	91
	RHH165L44	VALVE, TXV, 3/8 X 1/2 ODF, SWEAT	SBFSE-A-Z	406
	RHH215L44	VALVE, TXV, 3/8 X 1/2 SWEAT	SBFSE-B-Z	406
	RHH165L44, RHH215L44	FILTER, LIQUID, BI-FLO, 3/8SW	104471049	151
	RHH315L44	VALVE, TXV, 3/8 x 1/2 FL	SBFSE-C-Z	519
		FILTER, LIQUID, BI-FLO, 1/2 SW, VEN. PART # BFK 164S	104471046	154
SEMI-HERMETIC	ALL RHS LOW TEMP. MODELS†	VALVE, REVERSING, 1/2 X 7/8 X 7/8	21012	\$563
		STRAINER, CONE, 1/2, 100M	123277001	25
		MOTOR, SHADED POLE, 1/20 HP, 1550 RPM, 230/1	102540004	189
		FAN BLADE, 12" DIAM., 24° PITCH, CCW	119103001	71
		LOW CUT OUT CONTROL	204464232	285
		HIGH CUT OUT CONTROL	204464208	221
		THERMOSTAT, AMBIENT FAN CYCLE	204464002	412
	RHS075L44	VALVE, TXV, 3/8 X 1/2 ODF, SWEAT	SBFSE-AA-Z	406
	RHS075L44, RHS100L44	FILTER, LIQUID, BI-FLO, 3/8SW	104471048	91
	RHS100L44, RHS150L44	VALVE, TXV, 3/8 X 1/2 ODF, SWEAT	SBFSE-A-Z	406
	RHS150L44, RHS200L44	FILTER, LIQUID, BI-FLO, 3/8SW	104471049	151
	RHS200L44, RHS250L44	VALVE, TXV, 3/8 X 1/2 SWEAT	SBFSE-B-Z	406
	RHS250L44, RHS300L44	FILTER, LIQUID, BI-FLO, 1/2 SW, VEN. PART # BFK 164S	104471046	154
	RHS300L44	VALVE, TXV, 3/8 x 1/2 FL	SBFSE-C-Z	519
DISCUS	ALL RHD LOW TEMP. MODELS†	VALVE, REVERSING, 5/8 X 1-1/8	16506	\$675
		STRAINER, CONE, 5/8, 40M	123277002	25
		FAN GUARD, WIRE, EPOXY COATED, 20" (INDOOR MODELS ONLY)	201006007	210
		FAN BLADE, 24" DIAM., 28° PITCH, CCW (R-SERIES ONLY)	213266000	293
		LOW CUT OUT CONTROL	204464232	285
		HIGH CUT OUT CONTROL	204464208	221
		THERMOSTAT, AMBIENT FAN CYCLE	204464002	412
	RHD300L44	VALVE, TXV, 3/8 x 1/2 FL	SBFSE-C-Z	519
		FILTER, LIQUID, BI-FLO, 1/2 SW, VEN. PART # BFK 164S	104471046	154
	RHD400L44, RHD500L44	VALVE, TXV, 5/8 X 7/8ODF, SWEAT	EBSSSE-6-Z	519
		FILTER, LIQUID, BI-FLO, 1/2 SW, VEN. PART # BFK 304S	104471047	207
SCROLL	ALL RHO LOW TEMP. MODELS†	FAN GUARD, WIRE, EPOXY COATED, 20" (INDOOR MODELS ONLY)	201006007	\$210
		FAN BLADE, 24" DIAM., 28° PITCH, CCW (R-SERIES ONLY)	213266000	293
		LOW CUT OUT CONTROL	204464232	285
		HIGH CUT OUT CONTROL	204464208	221
		THERMOSTAT, AMBIENT FAN CYCLE	204464002	412
	RHO200L44 - RHO400L44	VALVE, REVERSING, 1/2 X 7/8 X 7/8	21012	563
		STRAINER, CONE, 1/2, 100M	123277001	25
	RHO500L44 - RHO600L44	VALVE, REVERSING, 5/8 X 1-1/8	16506	675
		STRAINER, CONE, 5/8, 40M	123277002	25
	RHO200L44	VALVE, TXV, 3/8 X 1/2 ODF, SWEAT	SBFSE-A-Z	406
		FILTER, LIQUID, BI-FLO, 3/8SW	104471049	151
	RHO250L44, RHO300L44	VALVE, TXV, 3/8 X 1/2 SWEAT	SBFSE-B-Z	406
	RHO250L44 - RHO301L44	FILTER, LIQUID, BI-FLO, 1/2 SW, VEN. PART # BFK 164S	104471046	154
	RHO301L44, RHO400L44	VALVE, TXV, 3/8 x 1/2 FL	SBFSE-C-Z	519
	RHO400L44 - RHO600L44	FILTER, LIQUID, BI-FLO, 1/2 SW, VEN. PART # BFK 304S	104471047	207
	RHO500L44, RHO600L44	VALVE, TXV, 5/8 X 7/8ODF, SWEAT	EBSSSE-6-Z	519

*PARTS SELECTION MAY VARY BASED UPON SPECIFIC OPERATING CONDITIONS.

NLA - NO LONGER AVAILABLE

†All Low Temperature High Sierra Models with indicated Compressor type (Semi-Hermetic, Hermetic, Scroll or Discus)and Condensing unit.

HIGH SIERRA REPLACEMENT PARTS (CON'T)

LOW TEMP. MODELS*

HIGH SIERRA W/D-SERIES CONDENSING UNIT - MODELS DHD, DHO

COMP. TYPE	MODEL NUMBER	DESCRIPTION	PART NUMBER	LIST PRICE
DISCUS	ALL DHD*L44 LOW TEMP. MODELS†	MOTOR, PSC, 1/3 HP, 1075 RPM, 208-230/1	205051004	\$362
		FAN BLADE, 24" DIAM., 28° PITCH, CCW	213266000	293
		HI-LO PRESSURE CONTROL	204464041	533
		THERMOSTAT, AMBIENT FAN CYCLE	204464002	412
	DHD5L44 - DHD9L44	VALVE, REVERSING, 7/8 X 1-3/8 X 1-3/8	21054	1,112
		STRAINER, CONE, 7/8, 40M	123277003	31
	DHD10L44 - DHD15L44	VALVE, REVERSING, 1-1/8 x 1-5/8 X 1-5/8	21000	1,377
		STRAINER, CONE, 1-1/8, 40M	123277004	34
	DHD5L44	VALVE, TXV, 5/8 X 7/8ODF, SWEAT	EBSSE-6-Z	519
	DHD6L44	VALVE, TXV, 5/8 X 7/8ODF, SWEAT	EBSSE-7 1/2 -Z	519
	DHD5L44, DHD6L44	FILTER, LIQUID, BI-FLO, 1/2 SW, VEN. PART # BFK 304S	104471047	207
	DHD8L44, DHD9L44	VALVE, TXV, 7/8 X 1-1/8ODF, SWEAT	EBSSE-10-Z	647
		FILTER, LIQUID, BI-FLO, 5/8 SW	104471066	214
	DHD10L44, DHD12L44	VALVE, TXV, 7/8 X 1-3/8ODF, SWEAT	EBSSE-13-Z	647
FILTER, LIQUID, BI-FLO, 5/8 SW		104471066	214	
DHD15L44	VALVE, TXV, 7/8 X 1-3/8ODF, SWEAT	EBSSE-13-Z	647	
	FILTER, LIQUID, BI-FLO, 7/8 SW	104471193	221	
SCROLL	ALL DHO LOW TEMP. MODELS†	MOTOR, PSC, 1/3 HP, 1075 RPM, 208-230/1	205051004	\$362
		FAN BLADE, 24" DIAM., 28° PITCH, CCW	213266000	293
		HI-LO PRESSURE CONTROL	204464041	533
		THERMOSTAT, AMBIENT FAN CYCLE	204464002	412
		FILTER, LIQUID, BI-FLO, 5/8 SW	104471066	214
	DHO6L44	VALVE, REVERSING, 5/8 X 1-1/8	16506	675
		STRAINER, CONE, 5/8, 40M	123277002	25
	DHO6L44, DHO8L44	VALVE, TXV, 5/8 X 7/8ODF, SWEAT	EBSSE-6-Z	519
	DHO8L44 - DHO13L44	VALVE, REVERSING, 7/8 X 1-3/8 X 1-3/8	21054	1112
		STRAINER, CONE, 7/8, 40M	123277003	31
	DHO10L44, DHO13L44	VALVE, TXV, 7/8 X 1-1/8ODF, SWEAT	EBSSE-10-Z	647

HIGH SIERRA W/V-SERIES CONDENSING UNIT - MODEL VHD

DISCUS	ALL VHD*L44 LOW TEMP. MODELS†	MOTOR, (NON-HEADER END), 1-1/2 HP, 1075 RPM, 208-230/460/60/3	110204000	\$1,493
		FAN BLADES, 30" DIAM., 24° PITCH, CW, 5/8" BORE	210385000	466
		HI-LO PRESSURE CONTROL	204464041	533
		THERMOSTAT, AMBIENT FAN CYCLE	204464002	412
	VHD15L44 - VHD44L44	STRAINER, CONE, 1-3/8, 40M	123277005	36
	VHD54L44, VHD60L44	STRAINER, CONE	C/F	—
	VHD15L44, VHD22L44	VALVE, REVERSING, 1-3/8 X 2-1/8, FULL	21049	4,392
		VALVE, TXV, 1-1/8 X 1-3/8 SWEAT	OSE-21-Z	647
		FILTER SHELL, LIQUID, 7/8	104471021	519
	VHD27L44, VHD30L44	VALVE, REVERSING, 1-5/8 X 2-1/8 X 2-1/8	21055	5,184
		VALVE, TXV, 1-1/8 X 1-3/8 SWEAT	OSE-30-Z	647
		FILTER SHELL, LIQUID, 7/8	104471021	519
	VHD44L44	VALVE, REVERSING, 1-5/8 X 2-1/8 X 2-1/8	21055	5,184
		VALVE, TXV, 1-1/8 X 1-3/8 ODF, SWEAT	OSE-45-Z	647
		FILTER SHELL, LIQUID, 1-1/8	104471022	624
	VHD54L44, VHD60L44	VALVE, REVERSING, 2-1/8 X 2-5/8 X 2-5/8	21056	7,394
		VALVE, TXV, 1-1/8 X 1-3/8 SWEAT	(2) OSE-30-Z	1,294
		FILTER SHELL, LIQUID, 1-1/8	104471022	624

*PARTS SELECTION MAY VARY BASED UPON SPECIFIC OPERATING CONDITIONS.

C/F = CONTACT FACTORY

†All Low Temperature High Sierra Models with indicated Compressor type (Semi-Hermetic, Hermetic, Scroll or Discus)and Condensing unit.

‡ V-Series filter is not Bi-Flow Design. Part number is for replaceable core filter (shell only). Core Part # 14471034 (may require more than one core).

**HIGH SIERRA REPLACEMENT PARTS - LISTING BY PRODUCT MODEL NUMBER
MEDIUM TEMP.¹ MODELS***

HIGH SIERRA W/R-SERIES CONDENSING UNIT - MODELS RHH, RHS, RHD, RHO

COMP. TYPE	MODEL NUMBER	DESCRIPTION	PART NUMBER	LIST PRICE		
HERMETIC	ALL RHH*H22 MEDIUM TEMP. MODELS†	VALVE, REVERSING, 1/2 X 7/8 X 7/8	21012	\$563		
		STRAINER, CONE, 1/2, 100M	123277001	25		
		LOW CUT OUT CONTROL	204464232	285		
		HIGH CUT OUT CONTROL	204464208	221		
		THERMOSTAT, AMBIENT FAN CYCLE	204464002	412		
	R22	RHH075H22 - RHH301H22	MOTOR, SHADED POLE, 1/20 HP, 1550 RPM, 230/1 FAN BLADE, 12" DIAM., 24° PITCH, CCW	102540004 119103001	189 71	
		RHH075H22	VALVE, TXV, 3/8 X 1/2 ODF, SWEAT	SBFVE-AA-C	420	
	RHH075H22, RHH100H22	FILTER, LIQUID, BI-FLO, 3/8SW	104471048	91		
	RHH100H22, RHH151H22	VALVE, TXV, 3/8 X 1/2 ODF, SWEAT	SBFVE-A-C	406		
	RHH151H22, RHH201H22	FILTER, LIQUID, BI-FLO, 3/8SW	104471049	151		
	RHH201H22, RHH251H22	VALVE, TXV, 3/8 X 1/2 ODF, SWEAT	SBFVE-B-C	406		
	RHH251H22, RHH301H22	FILTER, LIQUID, BI-FLO, 1/2 SW, VEN. PART # BFK 164S	104471046	154		
	RHH301H22	VALVE, TXV, 3/8 X 1/2 ODF, SWEAT	SBFVE-C-C	519		
	R404A	RHH401H22, RHH500H22	FILTER, LIQUID, BI-FLO, 1/2 SW, VEN. PART # BFK 304S VALVE, TXV, 3/8 X 1/2 ODF, SWEAT	104471047 SBFVE-C-C	207 519	
			FAN GUARD, WIRE, EPOXY COATED, 20" (INDOOR MODELS ONLY)	201006007	210	
			FAN BLADE, 24" DIAM., 28° PITCH, CCW (R-SERIES ONLY)	213266000	293	
		ALL RHH*M44 MEDIUM TEMP. MODELS	LOW CUT OUT CONTROL HIGH CUT OUT CONTROL THERMOSTAT, AMBIENT FAN CYCLE	204464232 204464208 204464002	285 221 412	
		RHH050M44 - RHH300M44	VALVE, REVERSING, 1/2 X 7/8 X 7/8 STRAINER, CONE, 1/2, 100M MOTOR, SHADED POLE, 1/20 HP, 1550 RPM, 230/1 FAN BLADE, 12" DIAM., 24° PITCH, CCW	21012 123277001 102540004 119103001	563 25 189 71	
	RHH050M44, RHH075M44	VALVE, TXV, 3/8 X 1/2 ODF, SWEAT FILTER, LIQUID, BI-FLO, 3/8SW	SBFSE-A-C 104471048	406 91		
	RHH101M44	FILTER, LIQUID, BI-FLO, 3/8SW	104471048	91		
	RHH101M44, RHH150M44	VALVE, TXV, 3/8 X 1/2 ODF, SWEAT	SBFSE-B-C	406		
	RHH150M44, RHH201M44	FILTER, LIQUID, BI-FLO, 3/8SW	104471049	151		
	RHH201M44, RHH300M44	VALVE, TXV, 3/8 X 1/2 ODF, SWEAT	SBFSE-C-C	519		
	RHH300M44	FILTER, LIQUID, BI-FLO, 1/2 SW, VEN. PART # BFK 164S	104471046	154		
	R404A	RHH400M44	VALVE, REVERSING, 5/8 X 1-1/8 STRAINER, CONE, 5/8, 40M VALVE, TXV, 5/8 X 7/8 ODF, SWEAT FILTER, LIQUID, BI-FLO, 1/2 SW, VEN. PART # BFK 304S FAN GUARD, WIRE, EPOXY COATED, 20" (INDOOR MODELS ONLY) FAN BLADE, 24" DIAM., 28° PITCH, CCW (R-SERIES ONLY)	16506 123277002 EBSSE-6-C 104471047 201006007 213266000	675 25 519 207 210 293	
		R22	ALL RHH*H22 MEDIUM TEMP. MODELS †	LOW CUT OUT CONTROL	204464232	\$285
				HIGH CUT OUT CONTROL	204464208	221
				THERMOSTAT, AMBIENT FAN CYCLE	204464002	412
				VALVE, REVERSING, 1/2 X 7/8 X 7/8	21012	563
		RHS050H22 - RHS300H22	MOTOR, SHADED POLE, 1/20 HP, 1550 RPM, 230/1 FAN BLADE, 12" DIAM., 24° PITCH, CCW	102540004 119103001	189 71	
	SEMI-HERMETIC	RHS050H22, RHS075H22	VALVE, TXV, 3/8 X 1/2 ODF, SWEAT	SBFVE-AA-C	420	
			FILTER, LIQUID, BI-FLO, 3/8SW	104471048	91	
		RHS100H22, RHS150H22	VALVE, TXV, 3/8 X 1/2 ODF, SWEAT	SBFVE-A-C	406	
RHS100H22		FILTER, LIQUID, BI-FLO, 3/8SW	104471048	91		
RHS150H22, RHS200H22		FILTER, LIQUID, BI-FLO, 3/8SW	104471049	151		
RHS200H22		VALVE, TXV, 3/8 X 1/2 ODF, SWEAT	SBFVE-B-C	406		
RHS300H22		VALVE, TXV, 3/8 X 1/2 ODF, SWEAT	SBFVE-C-C	519		
		FILTER, LIQUID, BI-FLO, 1/2 SW, VEN. PART # BFK 164S	104471046	154		
RHS400H22		FAN GUARD, WIRE, EPOXY COATED, 20" (INDOOR MODELS ONLY)	201006007	210		
		FAN BLADE, 24" DIAM., 28° PITCH, CCW (R-SERIES ONLY)	213266000	293		
	VALVE, TXV, 3/8 X 1/2 ODF, SWEAT	SBFVE-C-C	519			
	FILTER, LIQUID, BI-FLO, 1/2 SW, VEN. PART # BFK 304S	104471047	207			

*PARTS SELECTION MAY VARY BASED UPON SPECIFIC OPERATING CONDITIONS.

NLA - NO LONGER AVAILABLE

†All Medium Temperature High Sierra Models with indicated Compressor type (Semi-Hermetic, Hermetic, Scroll or Discus)and Condensing unit.

¹ Medium Temperature models are only available for warm ambient locations.

HIGH SIERRA REPLACEMENT PARTS (CON'T)

MEDIUM TEMP. 1 MODELS*

HIGH SIERRA W/R-SERIES CONDENSING UNIT - MODELS RHS, RHO

COMP. TYPE	MODEL NUMBER	DESCRIPTION	PART NUMBER	LIST PRICE
R404A S E M I - H E R M E T I C	ALL RHS*M44 MEDIUM TEMP. MODELS†	LOW CUT OUT CONTROL	204464232	\$285
		HIGH CUT OUT CONTROL	204464208	221
		THERMOSTAT, AMBIENT FAN CYCLE	204464002	412
	RHS050M44 - RHS300M44	VALVE, REVERSING, 1/2 X 7/8 X 7/8	21012	563
		STRAINER, CONE, 1/2, 100M	123277001	25
		MOTOR, SHADED POLE, 1/20 HP, 1550 RPM, 230/1	102540004	189
		FAN BLADE, 12" DIAM., 24° PITCH, CCW	119103001	71
	RHS050M44, RHS100M44	VALVE, TXV, 3/8 X 1/2 ODF, SWEAT	SBFSE-A-C	406
		FILTER, LIQUID, BI-FLO, 3/8SW	104471048	91
	RHS200M44	VALVE, TXV, 3/8 X 1/2 ODF, SWEAT	SBFSE-B-C	406
		FILTER, LIQUID, BI-FLO, 3/8SW	104471049	151
	RHS300M44	VALVE, TXV, 3/8 X 1/2 ODF, SWEAT	SBFSE-C-C	519
		FILTER, LIQUID, BI-FLO, 1/2 SW, VEN. PART # BFK 164S	104471046	154
	RHS400M44	VALVE, REVERSING 5/8 X 1-1/8	16506	675
STRAINER, CONE, 5/8, 40M		123277002	25	
VALVE, TXV, 5/8 X 7/8 ODF, SWEAT		EBSSSE-6-C	519	
FILTER, LIQUID, BI-FLO, 1/2 SW, VEN. PART # BFK 304S		104471047	207	
FAN GUARD, WIRE, EPOXY COATED, 20" (INDOOR MODELS ONLY)		210006007	210	
FAN BLADE, 24" DIAM., 28° PITCH, CCW (R-SERIES ONLY)		213266000	293	
R404A S C R O L L	ALL RHO*M44 MEDIUM TEMP. MODELS†	LOW CUT OUT CONTROL	204464232	\$285
		HIGH CUT OUT CONTROL	204464208	221
		THERMOSTAT, AMBIENT FAN CYCLE	204464002	412
		FAN BLADE, 24" DIAM., 28° PITCH, CCW (R-SERIES ONLY)	213266000	293
		FAN GUARD, WIRE, EPOXY COATED, 20" (INDOOR MODELS ONLY)	210006007	210
		FILTER, LIQUID, BI-FLO, 3/8SW	104471049	151
	RHO200M44 - RHO300M44	VALVE, REVERSING, 1/2 X 7/8 X 7/8	21012	563
		STRAINER, CONE, 1/2, 100M	123277001	25
	RHO250M44 - RHO301M44	VALVE, TXV, 3/8 X 1/2 ODF, SWEAT	SBFSE-C-C	519
		FILTER, LIQUID, BI-FLO, 1/2 SW, VEN. PART # BFK 164S	104471046	154
	RHO301M44 - RHO500M44	VALVE, REVERSING 5/8 X 1-1/8	16506	675
		STRAINER, CONE, 5/8, 40M	123277002	25
	RHO400M44 - RHO600M44	VALVE, TXV, 5/8 X 7/8 ODF, SWEAT	EBSSSE-6-C	519
		FILTER, LIQUID, BI-FLO, 1/2 SW, VEN. PART # BFK 304S	104471047	207
RHO600M44	VALVE, REVERSING, 7/8 X 1-3/8 X 1-3/8	21054	1,112	
	STRAINER, CONE, 7/8, 40M	123277003	31	
	VALVE, TXV, 5/8 X 7/8 ODF, SWEAT	EBSSSE-6-C	519	
	VALVE, REVERSING, 1-1/8 x 1-5/8 X 1-5/8	21000	1,377	
RHO650M44	STRAINER, CONE, 1-1/8, 40M	123277004	34	
	VALVE, TXV, 5/8 X 7/8 ODF, SWEAT	EBSSSE-7 1/2 -C	524	
	FILTER, LIQUID, BI-FLO, 5/8 SW	104471066	214	
	FILTER, LIQUID, BI-FLO, 5/8 SW	104471066	214	

HIGH SIERRA W/D-SERIES CONDENSING UNIT - MODELS DHD, DHO

R22 D I S C U S	ALL DHD*H22 MEDIUM TEMP. MODELS†	HI-LO PRESSURE CONTROL	204464041	\$533
		THERMOSTAT, AMBIENT FAN CYCLE	204464002	412
		MOTOR, PSC, 1/3 HP, 1075 RPM, 208-230/1	205051004	362
		FAN BLADE, 24" DIAM., 28° PITCH, CCW (R-SERIES ONLY)	213266000	293
		VALVE, REVERSING, 5/8 X 1-1/8	16506	675
	DHD5H22	STRAINER, CONE, 5/8, 40M	123277002	25
		VALVE, TXV, 5/8 X 7/8 ODF, SWEAT	EBSSVE-8-C	524
	DHD5H22 - DHD8H22	FILTER, LIQUID, BI-FLO, 5/8 SW	104471066	214
		VALVE, REVERSING, 7/8 X 1-3/8 X 1-3/8	21054	1,112
	DHD7H22, DHD8H22	STRAINER, CONE, 7/8, 40M	123277003	\$31
		VALVE, TXV, 5/8 X 7/8 ODF, SWEAT	EBSSVE-11-C	653
	DHD10H22	VALVE, REVERSING, 7/8 X 1-3/8 X 1-3/8	21054	1,112
		STRAINER, CONE, 7/8, 40M	123277003	31
	DHD12H22	VALVE, REVERSING, 1-1/8 x 1-5/8 X 1-5/8	21000	1,377
STRAINER, CONE, 1-1/8, 40M		123277004	34	
DHD10H22, DHD12H22	VALVE, TXV, 7/8 x 1-1/8 ODF, SWEAT	EBSSVE-15-C	653	
	FILTER, LIQUID, BI-FLO, 7/8 SW	104471193	221	
R404A S C R O L L	ALL DHD*M44 MEDIUM TEMP. MODELS†	HI-LO PRESSURE CONTROL	204464041	\$533
		THERMOSTAT, AMBIENT FAN CYCLE	204464002	412
		MOTOR, PSC, 1/3 HP, 1075 RPM, 208-230/1	205051004	362
		FAN BLADE, 24" DIAM., 28° PITCH, CCW (R-SERIES ONLY)	213266000	293
		VALVE, REVERSING, 7/8 X 1-3/8 X 1-3/8	21054	1,112
	DHD5M44 - DHD7M44	STRAINER, CONE, 7/8, 40M	123277003	31
		VALVE, TXV, 7/8 x 1-1/8 ODF, SWEAT	EBSSSE-10-C	653
	DHD5M44 - DHD8M44	FILTER, LIQUID, BI-FLO, 5/8 SW	104471066	214
		VALVE, REVERSING, 1-1/8 x 1-5/8 X 1-5/8	21000	1,377
	DHD8M44, DHD10M44	STRAINER, CONE, 1-1/8, 40M	123277004	34
		VALVE, TXV, 7/8 X 1-3/8 ODF, SWEAT	EBSSSE-13-C	653
	DHD10M44, DHD12M44	FILTER, LIQUID, BI-FLO, 7/8 SW	104471193	221
		VALVE, REVERSING, 1-3/8 X 2-1/8, FULL	21049	4,392
	DHD12M44	STRAINER, CONE, 1-3/8, 40M	123277005	36
VALVE, TXV, 7/8 X 1-3/8 ODF, SWEAT		EBSSSE-13-C	653	
R404A S C R O L L	ALL DHO*M44 MEDIUM TEMP. MODELS†	HI-LO PRESSURE CONTROL	204464041	\$533
		THERMOSTAT, AMBIENT FAN CYCLE	204464002	412
		MOTOR, PSC, 1/3 HP, 1075 RPM, 208-230/1	205051004	362
		FAN BLADE, 24" DIAM., 28° PITCH, CCW (R-SERIES ONLY)	213266000	293
		VALVE, REVERSING, 5/8 X 1-1/8	16506	675
	DHO6M44	STRAINER, CONE, 5/8, 40M	123277002	25
		VALVE, TXV, 5/8 X 7/8 ODF, SWEAT	EBSSSE-7 1/2-C	524
	DHO7M44, DHO8M44	FILTER, LIQUID, BI-FLO, 1/2 SW, VEN. PART # BFK 304S	104471047	207
		VALVE, REVERSING, 7/8 X 1-3/8 X 1-3/8	21054	1,112
	DHO7M44, DHO8M44	STRAINER, CONE, 7/8, 40M	123277003	31
		VALVE, TXV, 7/8 x 1-1/8 ODF, SWEAT	EBSSSE-10-C	653
	DHO10M44, DHO13M44	FILTER, LIQUID, BI-FLO, 5/8 SW	104471066	214
		VALVE, REVERSING, 1-1/8 x 1-5/8 X 1-5/8	21000	1,377
	DHO10M44, DHO13M44	STRAINER, CONE, 1-1/8, 40M	123277004	34
VALVE, TXV, 7/8 X 1-3/8 ODF, SWEAT		EBSSSE-13-C	653	
DHO10M44, DHO13M44	FILTER, LIQUID, BI-FLO, 7/8 SW	104471193	221	
	FILTER, LIQUID, BI-FLO, 7/8 SW	104471193	221	

*PARTS SELECTION MAY VARY BASED UPON SPECIFIC OPERATING CONDITIONS.

†All Medium Temperature High Sierra Models with indicated Compressor type (Semi-Hermetic, Hermetic, Scroll or Discus)and Condensing unit.

1 Medium Temperature models are only available for warm ambient locations.

HIGH SIERRA REPLACEMENT PARTS (CON'T)
MEDIUM TEMP.¹ MODELS*
HIGH SIERRA W/V-SERIES CONDENSING UNIT - MODEL VHD

COMP. TYPE	MODEL NUMBER	DESCRIPTION	PART NUMBER	LIST PRICE
R22	ALL VHD*H22 MEDIUM TEMP. MODELS †	HI-LO PRESSURE CONTROL	204464041	\$533
		THERMOSTAT, AMBIENT FAN CYCLE	204464002	412
		MOTOR, (NON-HEADER END), 1-1/2 HP, 1075 RPM, 208-230/460/60/3	110204000	1,493
		FAN BLADES, 30" DIAM., 24° PITCH, CW, 5/8" BORE	210385000	466
	VHD15H22	VALVE, REVERSING, 1-1/8 x 1-5/8 X 1-5/8	21000	1,377
		STRAINER, CONE, 1-1/8, 40M	123277004	34
	VHD15H22, VHD20H22	VALVE, TXV, 7/8 x 1-3/8ODF, SWEAT	EBSVE-20-C	653
		FILTER SHELL, LIQUID, 7/8	104471021§	519
	VHD20H22 - VHD30H22	VALVE, REVERSING, 1-3/8 X 2-1/8, FULL	21049	4,392
		STRAINER, CONE, 1-3/8, 40M	123277005	36
	VHD25H22, VHD30H22	VALVE, TXV, 1-1/8 X 1-3/8 SWEAT	OVE-30-C	653
		FILTER SHELL, LIQUID, 7/8	104471021§	519
	VHD30H22	FILTER SHELL, LIQUID, 1-1/8	104471022§	624
		VHD35H22 - VHD50H22	VALVE, REVERSING, 1-5/8 X 2-1/8 X 2-1/8	21055
	STRAINER, CONE, 1-3/8, 40M		123277005	36
	FILTER SHELL, LIQUID, 1-1/8		104471031§	901
	VHD35H22, VHD40H22	VALVE, TXV, 1-1/8 X 1-3/8 SWEAT	OVE-40-C	653
		VHD50H22, VHD60H22‡	VALVE, TXV, 1-1/8 X 1-3/8 SWEAT	(2) OVE-30-C
	VHD60H22‡		FILTER SHELL, LIQUID, 1-3/8	104471032§
	VHD60H22‡, VHD70H22‡	VALVE, REVERSING, 2-1/8 X 2-5/8 X 2-5/8	21056	7,394
VHD70H22‡, VHD80H22‡		VALVE, TXV, 1-1/8 X 1-3/8 SWEAT	(2) OVE-40-C	1,306
	VHD80H22‡	FILTER SHELL, LIQUID, 1-5/8	104471033§	1,322
VHD80H22‡		VALVE, REVERSING, 2-5/8 X 3-1/8 X 3-1/8	21057	12,830
	R404A	ALL VHD*M44 MEDIUM TEMP. MODELS	HI-LO PRESSURE CONTROL	204464041
THERMOSTAT, AMBIENT FAN CYCLE			204464002	412
MOTOR, (NON-HEADER END), 1-1/2 HP, 1075 RPM, 208-230/460/60/3			110204000	1,493
FAN BLADES, 30" DIAM., 24° PITCH, CW, 5/8" BORE			210385000	466
VHD15M44, VHD20M44		VALVE, REVERSING, 1-3/8 X 2-1/8, FULL	21049	4,392
		STRAINER, CONE, 1-3/8, 40M	123277005	36
VHD25M44 - VHD35M44		VALVE, TXV, 1-1/8 X 1-3/8 ODF, SWEAT	OSE-21-C	653
		FILTER SHELL, LIQUID, 7/8	104471021§	519
		VALVE, REVERSING, 1-5/8 X 2-1/8 X 2-1/8	21055	5,184
VHD25M44		STRAINER, CONE, 1-3/8, 40M	123277005	36
		VALVE, TXV, 1-1/8 x 1-3/8 SWEAT	OSE-30-C	653
VHD30M44		FILTER SHELL, LIQUID, 7/8	104471021§	519
VHD30M44		FILTER SHELL, LIQUID, 1-1/8	104471022§	624
VHD35M44 - VHD50M44§		FILTER SHELL, LIQUID, 1-1/8	104471031§	901
VHD40M44‡ - VHD60M44‡		VALVE, REVERSING, 2-1/8 X 2-5/8 X 2-5/8	21056	7,394
		VALVE, TXV, 1-1/8 X 1-3/8 ODF, SWEAT	OSE-35-C	653
VHD50M44‡, VHD60M44‡		VALVE, TXV, 1-1/8 X 1-3/8 ODF, SWEAT	OSE-45-C	653
		VHD60M44‡	FILTER SHELL, LIQUID, 1-3/8	104471032§
VHD70M44‡, VHD80M44‡		VALVE, REVERSING, 2-5/8 X 3-1/8 X 3-1/8	21057	12,830
		FILTER SHELL, LIQUID, 1-5/8	104471033§	1,322
VHD70M44‡	VALVE, TXV, 1-1/8 x 1-3/8 SWEAT	(2) OSE-30-C	1,306	
VHD80M44‡	VALVE, TXV, 1-1/8 X 1-3/8 ODF, SWEAT	(2) OSE-35-C	1,306	

*PARTS SELECTION MAY VARY BASED UPON SPECIFIC OPERATING CONDITIONS.

C/F = CONTACT FACTORY

†All Medium Temperature High Sierra Models with indicated Compressor type (Semi-Hermetic, Hermetic, Scroll or Discus)and Condensing unit.

‡ Contact Factory for Reverse Valve Strainer

§ V-Series filter is not Bi-Flow Design. Part number is for replaceable core filter (shell only). Core Part # 14471034 (may require more than one core).

¹ Medium Temperature models are only available for warm ambient locations.

APEX REFRIGERATION SYSTEM, XN, XT

MODEL NUMBER	DESCRIPTION	PART NUMBER	LIST PRICE
XN026M THRU XN037M, XN018L	CONDENSER AND EVAP. MOTOR, PSC, 16W, 1550 RPM, 115V	107933001	\$354
	CAPACITOR FOR THIS MOTOR, 5µF, 440V	202163004	\$42
	EVAPORATOR MOTOR, 115V, 16W, 1550 RPM, SP	103104007	\$174
	EVAPORATOR MOTOR, 115V, 16W, 1550 RPM, ECM	107933006	\$616
XN050M, XN024L	CONDENSER AND EVAP. MOTOR, PSC, 1/20 HP, 1550 RPM, 115V	08216074	\$259
	CAPACITOR FOR THIS MOTOR, 3µF, 370V	202163010	\$40
	EVAPORATOR MOTOR, 115V, 1/20 HP, 1550 RPM, SP	08216072	\$189
	EVAPORATOR MOTOR, 115V, 50W, 1550 RPM, ECM	08216124	\$579
X*050M THRU X*134M, X*024L THRU X*068L	CONDENSER AND EVAPORATOR MOTOR, 208-230V, 1/20 HP, 1550 RPM, PSC	08216073	\$296
	CAPACITOR FOR THIS MOTOR, 2µF, 370V	202163009	\$45
	EVAPORATOR MOTOR, 208-230V, 1/20 HP, 1550 RPM, SP	08216071	\$204
	EVAPORATOR MOTOR, 208-230V, 50W, 1550 RPM, ECM	08216125	\$610
XN026M THRU XN037M, XN018L	CONDENSER MOTOR MOUNT	10243000	\$117
	EVAPORATOR MOTOR MOUNT	12003000	\$121
X*050M THRU X*134M, X*024L THRU X*068L	CONDENSER AND EVAPORATOR MOTOR MOUNT (FOR SP AND PSC MOTORS)	21062000	\$122
	CONDENSER AND EVAPORATOR MOTOR MOUNT LEG (FOR ECM MOTORS, 3 REQUIRED PER MOTOR)	08522938	\$38
XN026M THRU XN037M, XN018L	CONDENSER FAN, 10 INCH DIAM., 31° PITCH, CCW	204395018	\$47
	EVAPORATOR FAN, 8 INCH DIAM., 36° PITCH, CW	08221167	\$40
X*050M THRU X*134M, X*024L THRU X*068L	CONDENSER FAN, 12 INCH DIAM., 23° PITCH, CCW	08221169	\$68
	EVAPORATOR FAN, 10 INCH DIAM., 31° PITCH, CW (FOR SP AND PSC MOTORS)	08221168	\$43
	EVAPORATOR FAN, 10 INCH DIAM., 30° PITCH, CW (FOR ECM MOTORS)	08221174	\$43
	ALL	HIGH PRESSURE CONTROL, 400 PSIG	08219424
XT050M THRU XT134M, XT024L THRU XT068L	CONDENSER MOTOR PRESSURE CONTROL	08219417	\$350
XT106M AND XT134M, XT051L AND 068L	CONDENSER MOTOR TEMPERATURE CONTROL	08219019	\$68
XN018L THRU X*068L	DEFROST HIGH LIMIT THERMOSTAT	103079003	\$111
XN050M AND XN024L	EVAPORATOR MOTOR RELAY, 115 VOLT COIL	08218979	\$45
X*050M THRU X*134M, X*024L THRU X*068L	EVAPORATOR MOTOR RELAY, 208-230 VOLT COIL	08218181	\$48
XN026M THRU XN037M, XN018L	COMPRESSOR CONTACTOR, 115 VOLT COIL	08218979	\$45
XN050M AND XN024L	COMPRESSOR CONTACTOR, 115 VOLT COIL	08219002	\$86
X*050M THRU X*134M, X*024L THRU X*068L	COMPRESSOR CONTACTOR, 208-230 VOLT COIL	08219018	\$93
ALL 115 VOLT FREEZERS	ELECTRONIC CONTROLLER , PROGRAMMED - LOW TEMP	08522796	\$584
ALL 208-230 VOLT FREEZERS	ELECTRONIC CONTROLLER, PROGRAMMED- LOW TEMP	08522797	\$584
ALL 115 VOLT COOLERS	ELECTRONIC CONTROLLER , PROGRAMMED - HIGH TEMP	08522798	\$584
ALL 208-230 VOLT COOLERS	ELECTRONIC CONTROLLER, PROGRAMMED - HIGH TEMP	08522799	\$584
ALL	ELECTRONIC COMTROLLER BOX AND DEFROST TEMPERATURE SENSOR	08219958	\$67
ALL	LATCHES FOR EVAPORATOR COVER	08326021	\$23
ALL	GASKET FOR TOP AND BOTTOM OF EVAPORATOR SECTION (ORDER/ FT)	08343051	\$16
XN018L	DEFROST HEATER, COIL, 400 WATTS, 22.5" LONG, 120V	08215137	\$239
XN024L	DEFROST HEATER, COIL, 375 WATTS, 26.5" LONG, 120V	08215144	\$220
X*024L THRU THRU X*043L	DEFROST HEATER, COIL, 375 WATTS, 26.5" LONG, 240V	08215138	\$241
X*051L AND X*068L	DEFROST HEATER, COIL, 600 WATTS, 40.5" LONG, 240V	08215139	\$338
XN018L	DEFROST HEATER, DP, 400 WATTS, 19.5" LONG, 120V	08215140	\$221
XN024L	DEFROST HEATER, DP, 500 WATTS, 22.0" LONG, 120V	08215145	\$230
X*024L THRU THRU X*043L	DEFROST HEATER, DP, 500 WATTS, 22.0" LONG, 240V	08215141	\$246
X*051L AND X*068L	DEFROST HEATER, DP, 600 WATTS, 35.0" LONG, 240V	08215142	\$293
XT050M THRU XT134M, XT024L THRU XT068L	DRAIN LINE HEATER	08215143	\$151
XT050M THRU XT134M, XT024L THRU XT068L	DRAIN LINE THERMOSTAT	103079003	\$111

** REQUIRES THE PURCHASE OF A NEW MOTOR MOUNT (21062000) TO FIT THE MOTOR

MOTOR HP	VOLT	PH.	RPM	MODEL APPLICATION	PART NUMBER	LIST PRICE	SHPG WT LBS
43 WATTS (INPUT) CW ROTATION	115V	1	3000	FT, MDF, MUF, MTW, SL, TT	102249005	\$148	2
	230 V	1	3000		102249007	148	2
4 WATTS	115V	1	1550	HI, TW, WA, WE	103104002	121	2
9 WATTS	115V	1	1550	FL, FT, HI, TW, WA, WE	103104004	146	2
	230V	1	1550	FL, FT, HI, TW, WA, WE	103104005	146	2
16 WATTS (ALL ANGLE)	115 V	1	1550	AL, CTA, CTE, FL, FT, SL, ASL, WE	103104007	174	4
	230 V	1	1550		103104008	174	3
16 WATTS PSC (OPTIONAL no cap.)	115 V	1	1550	AL, CTA, CTE, FL, SL, ASL, WE	107933001	354	4
	230 V	1	1550		107933002	NLA	—
1/20HP SHADED POLE	115 V	1	1550	ALL TEMP2, ALL TEMP ² B, & MINICON 1/2 - 2 HP	102540003	189	3
	230 V	1	1550		102540004*	189	3
	230 V	1	1550		102540004	204	3
	460 V	1	1550		102540005	280	3
1/20HP PSC (OPTIONAL)	115 V	1	1550	ALL TEMP2, ALL TEMP ² B MINICON (ONLY)	108178001	259	4
	230 V	1	1550		108178002	296	4
	230 V	1	1550		108178002	296	4
1/20HP SHADED POLE	115 V	1	1550	HI, TW, WA, WE	102540001	189	3
	230 V	1	1550		102540002	204	3
1/15 HP SHADED POLE	115 V	1	1050	INTER TEMP Prior to April, 1994	NLA	—	—
	460 V	1	1050		NLA	—	—
1/12HP SHADED POLE	115 / 230 V	1	1050	HI, TW, WA, RAC	08216119	530	8
1/8 HP PSC	115 V	1	1075	INTER TEMP after March, 1996 (between 4/94 & 3/96 see page 9)	115248001	704	11
	230 V	1	1075		115248002	704	11
	460 V	1	1075		115248003	748	11
1/6 HP SHADED POLE	115/230V	1	1050	SU, HI, TW, RAC, RE, RC, RS, MINICON 3 HP	102542007 08216025	NLA NLA	— —
1/3 HP PSC	115 V	1	1075	SU Hi-Cap, UA, ASU, RC, REC, MINICON 4-6 HP	205051005	680	12
	230 V	1	1075		205051004	362	12
	460 V	1	1075		205051006	804	12
1/3 HP PSC LO-GREASE	115 V	1	1075	INTER-TEMP, ULTRA-TEMP	205051020	764	12
	230 V	1	1075		205051019	865	12
	460 V	1	1075		205051021	932	12
1/4HP (#130)	230 V	3	1140	SU, UA	NLA	—	—
	460 V	3	1140		NLA	—	—
1/3 HP	230/460 V	3	550	VRQ	119226000	1,151	13
3/4HP TEAO	230/460 V	3	1140	TD, CAC, VAC 5-19,	NLA	—	—
3/4HP PSC	230 V	1	1075	CAC, VAC 5-19, TD, RC, REC, DE, DS	205051009	954	18
	460 V	1	1075		205051002	1,026	17
3/4HP PSC	230 V	1	1075	CAC VARI SPEED	205051015	1,140	20
	460 V	1	1075		205051016	1,234	20
3/4HP PSC	208-230 V	1	1625	UT, ASU, AUT	205051007	954	18
	460 V	1	1625		205051008	1,026	17
3/4HP	230/460 V	3	1725	UT, ASU, AUT	123123000	1,031	18
3/4HP LO-GREASE	230/460 V	3	1725	UT, ASU, AUT	125101000	1,864	18
3/4HP PSC LO-GREASE	208-230 V	1	1075	UT, UA	118187000	1,176	18
	460 V	1	1075		118186000	1,348	17
1 HP	230/460 V	3	850	VEQ	114105000	2,079	24
1-1/2 HP	208-230/460 V	3	1140	VAC 22-144, CAC 56-72	110204000	1,493	37

* Replacement for All- Temp models ONLY, see note below for MiniCon models

NLA - NO LONGER AVAILABLE

PRINCIPAL TERMS AND CONDITIONS OF SALE

1. **Applicable Law and Terms of Sale:** All orders shall be subject to the following terms and conditions notwithstanding any additional or contrary printed terms and conditions of Buyer. Such additional or contrary terms shall not bind Seller unless accepted in writing even though such terms do not materially alter the terms hereof. No oral statements, warranties, stipulations, representations or terms shall have any binding effect or be any part of the contract whatsoever.
2. **Orders:** All orders must be in writing and will be binding when our order acknowledgment is mailed. Orders are accepted subject to strikes, fires, accidents, and other causes beyond our reasonable control. Acceptance of your order is conditioned upon an agreement to hold us harmless by reason of delivery delays.
3. **Prices:** Prices are subject to change without notice, and all quotations, unless otherwise specified, are binding only for immediate acceptance. Prices are based on material made to Seller's standard tolerances, unless otherwise specified.
4. **Freight:** All products are shipped FOB Point of Shipment with full freight allowed on single orders with a net price value of \$7000.00 or more, except surface coils and parts within the continental USA (excluding Alaska and Hawaii). Routing and selection of carrier will be made by Seller. For special routing requests, Buyer will bear all additional costs for such routing. Equipment is shipped at Buyer's risk. Buyer should examine equipment before signing transportation receipt. If equipment is received damaged or if quantity received does not match freight bill, the Buyer should require agent to so indicate on freight bill and immediately file a damage/missing claim. Our liability ceases upon delivery of equipment in good order to the freight carrier.
5. **Taxes:** Any sales, use, excise, or similar tax payable by Seller which is or may be imposed by any taxing authority upon manufacture, sale or delivery of goods covered by any order or any increase in rate of any such tax now in force, shall be added to the sales price; if not collected at the time of payment of sales price, Buyer will hold Seller harmless.
6. **Limited Warranty:** Seller warrants against defect in materials and workmanship in products which it manufactures for (1) year from date of installation or up to (18) eighteen months from the date of shipment, whichever event occurs first, when properly installed and operated under normal use. This guarantee does not include any labor or other charges made outside of the Seller's factory for replacement or repair of defective parts unless specifically stated in the body of the Seller's invoice. On parts not manufactured by Seller, such as motors, controls, valves and compressors we extend to the Buyer the same warranties made to us by the manufacturer. Seller's only liability under this warranty or otherwise shall be the repair or replacement (at Seller's option) of non-conforming goods or parts. Seller assumes no liability for incidental or consequential damages such as injury to person or property, or lost profits.
7. **THIS GUARANTEE SUPERSEDES AND IS IN LIEU OF ANY AND ALL OTHER WARRANTIES BY LAW OR CUSTOM, EITHER EXPRESSED OR IMPLIED INCLUDING, BUT NOT LIMITED BY THIS ENUMERATION, ANY GUARANTEE AS TO QUALITY OR FITNESS FOR ANY PARTICULAR PURPOSE, EXCEPT AS SET FORTH ABOVE. NO PERSON, AGENT, OR DEALER IS AUTHORIZED TO GIVE ANY WARRANTIES ON BEHALF OF SELLER NOR TO ASSUME FOR SELLER ANY OTHER LIABILITY IN CONNECTION WITH ANY OF THE SELLER'S PRODUCTS.**
8. **Delivery:** Seller shall not be liable for any delays in or failure of delivery due to acts of God or public authority, labor disputes, accidents, fires, floods, extreme weather conditions, failure of and delays by carriers, shortages of material, delays of a supplier, and any other cause beyond Seller's control. In no event shall Seller be liable for consequential or special damages arising out of a delay in or failure of delivery. Failure to meet estimated ship dates will not be considered sufficient cause of cancellation of orders.
9. **Cancellations and Returned Goods:** Permission to return any part or product must be obtained from Seller and may be subject to a restocking charge. Credits for new material accepted for return will be at the original sales price or current market price, whichever is lower, less handling and restocking charges. Buyer must prepay all transportation charges. Any costs for putting material in condition for resale will be charged to the Buyer. Shipment of material returned without factory authorization or not properly tagged with a Return Material Authorization Number or not freight prepaid cannot be received by Seller. Obsolete products or material made to special order are not returnable.
10. **Catalog Materials and Drawings:** Seller is not responsible for typographical errors or other errors of omission in Seller's catalogs or drawings.
11. **Late Charge Provision:** Buyer agrees to pay a late charge of 1-1/2% per month (18% per year) for any invoice or bill not paid within (30) thirty days of the date of the billing invoice.
12. **Choices of law, Disputes:** This agreement and the performance of the parties hereunder shall be construed in accordance with and governed by the laws of the State of California and shall be deemed made in the state. Buyer irrevocably consents to the exclusive jurisdiction of the courts of Orange County, California, on all matters arising out of or relating to this sale and Buyer further irrevocably consents to service of process by certified mail, return receipt requested, at Buyer's address set forth in the order acknowledgment.

The above terms and conditions apply to all orders placed with the Seller. Buyer acknowledges having read and understood these terms and conditions and agrees to abide by them upon placement of any order with the Seller. In the event it becomes necessary to refer the account to a collection agency or to institute legal action to obtain payment of the account, Buyer agrees to pay all reasonable attorney fees and court costs incurred by such action.