



# WLP 4-2018 R1

Supersedes all previous versions

## LIST PRICES

April, 2018

All products, except surface coils and parts, are shipped F.O.B. point of shipment with full freight allowed on single orders with a net price value of \$10,000 or more, within the continental USA (excluding Alaska and Hawaii). Buyer will bear all additional costs for special routing or handling requests. **See page 44 additional freight instructions.**

	<u>Page</u>
<b>Reach-In Unit Coolers:</b>	
ASLA / ASLE .....	2
Slim-Temp .....	2
Wedge-Temp .....	3
Flex-Temp .....	3
Mullion-Temp .....	3
T-Temp .....	4
Twin-Temp .....	4
Mini-Twin-Temp .....	4
Wall-Temp .....	5
<b>Walk-In Unit Coolers:</b>	
Next-Gen All-Temp Low Profile Evaporators .....	5, 6, 7
Inter-Flo Medium Profile Evaporators .....	8, 9
Easy-Flo Low Air Velocity Evaporators .....	10, 11, 12
Dual-Flo Dual Air / Low Height Evaporators .....	13
Polar-Flo High Profile Warehouse Evaporators .....	13,14, 15, 16, 17
Evaporator Defrost Control .....	18
<b>Condensing Units:</b>	
Pricing Examples .....	18
System Accessories (TXV, LLS, T-Stat, Evap. Defrost Control, Heat Exchangers) .....	18
1/2 thru 6 H.P. Next-Gen and Proline Air-Cooled	
Scroll, Hermetic and Semi-Hermetic Compressor models .....	19, 20, 21
NEXT-GEN II 3 thru 22 HP Cond. Units - Discus™, Scroll™ and Bitzer .....	22, 23, 24
NEXT-GEN II 3 thru 22 HP Cond. Units - Electric Defrost Kits .....	24
NEXT-GEN II 3 thru 22 HP Cond. Units - Options .....	25
15 thru 100 HP QV-Series Condensing Units™ .....	26, 27, 28, 29, 30, 31
18 thru 82 H.P. Legacy "WV" Series Condensing Units .....	32, 33, 34, 35
Electric Defrost Kits (See pg 24 for Next-Gen II and pg 31 for QV-Series ED-Kits) .....	36, 37
1/2 to 6 H.P. Next-Gen WC-Series Water Cooled	
Hermetic and Scroll Compressor Models .....	38, 39
1/2 thru 5 H.P. Legacy GW Series Water-Cooled .....	40
3 thru 40 H.P. WRW Series Water-Cooled .....	41
Legacy Water Cooled & Remote Scroll Compressor Units .....	42
3 thru 40 H.P. WRN Series Remote Compressor .....	43
Heat Reclaim Unit Heaters .....	44
Freight Surcharges .....	44
APEX Self Contained Units .....	45
<b>Air Cooled Condensers:</b>	
Quantum Air™ Remote Air Cooled Condensers Features and Options .....	46
Air Cooled Condenser Nomenclature .....	47
Small Condensers and Small Condenser Options .....	48
Quantum Air™ Large Condensers - 1140 RPM 1.5 HP .....	49
Quantum Air™ Large Condensers - 850 RPM 1.5 HP .....	49
Quantum Air™ Large Condensers - 850 RPM 1 HP .....	50
Quantum Air™ Large Condensers - 550 RPM 1/3 HP .....	50
Quantum Air™ Large Condensers - 1200 AND 900 RPM VSEC Motors .....	51
Quantum Air™ Large Condenser Options .....	52

Due to ongoing product development, specification and prices are subject to change without notice.

TELEPHONE (256) 259-7400

FAX ORDER HOTLINE (256) 259-7478

Call or email us for help with replacement parts at: [parts@htpgusa.com](mailto:parts@htpgusa.com)

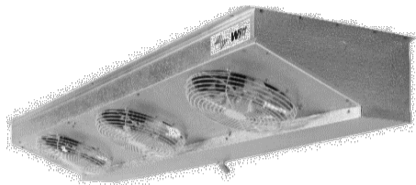
Visit us on the Web at <http://witt.htpg.com>

# ASL SPECIAL UNIT COOLERS

## COOLER APPLICATION - AIR DEFROST

AIR DEFROST MODEL NUMBER	EC MOTORS	PSC MOTORS	SP MOTORS	BAKED EPOXY COATED CORE MODEL NO.	BAKED EPOXY COIL w/ ECM	BAKED EPOXY COIL w/ PSC	BAKED EPOXY COIL w/ SP	DIMENSIONS			APROX. SHIP WT. (LBS.)
	115 or 230V	115V only	115 or 230V		115 or 230V	115V only	115 or 230V	HT (IN)	LT (IN)	DP (IN)	
ASLA 25-48	\$3,151	\$2,330	\$2,223	ASLA 25-48RP	\$4,215	\$3,497	\$3,128	9-3/16	46-3/16	19-3/16	83
ASLA 25-61	3,243	2,666	2,273	ASLA 25-61RP	4,278	3,544	3,209	9-3/16	56-3/16	19-3/16	105
ASLA 35-73	3,477	2,717	2,325	ASLA 35-73RP	4,607	3,717	3,260	9-3/16	69-3/16	19-3/16	125
ASLA 45-98	4,176	3,209	2,711	ASLA 45-98RP	5,249	4,173	3,752	9-3/16	92-3/16	19-3/16	151
ASLA 55-122	4,896	3,707	3,094	ASLA 55-122RP	5,975	4,686	4,207	9-3/16	115-3/16	19-3/16	185
ASLA 65-158	5,563	4,159	3,438	ASLA 65-158RP	6,720	5,211	4,642	9-3/16	138-3/16	19-3/16	222

Specify voltage when ordering - add an "A" for 115V and "D" for 230V. See example below.  
230V PSC motors are not available for ASLA or ASLE models



For normal and low temperature glass display and solid door uprights, walk-in salad boxes and back bars from 4,600 to 15,800 BTUH.



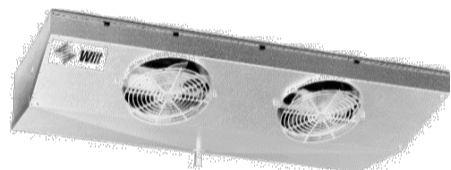
## FREEZER APPLICATION - ELECTRIC DEFROST

ELECTRIC DEFROST MODEL NUMBER	230V EC MOTORS 230V1 HEATERS	230V/1 SP MOTORS 230V1 HEATERS	DIMENSIONS			APROX. SHIP WT. (LBS.)
			HT (IN)	LT (IN)	DP (IN)	
ASLE 25-46	\$3,370	\$2,507	9-3/16	46-3/16	19-3/16	83
ASLE 25-58	\$3,527	2,581	9-3/16	56-3/16	19-3/16	105
ASLE 35-70	\$3,791	2,701	9-3/16	69-3/16	19-3/16	125
ASLE 45-94	\$4,547	3,372	9-3/16	92-3/16	19-3/16	151
ASLE 55-117	\$5,293	4,146	9-3/16	115-3/16	19-3/16	185
ASLE 65-150	\$6,004	4,522	9-3/16	138-3/16	19-3/16	222

\$319 List adder for adjustable termination/fan delay control in lieu of a fixed controls.  
230V PSC motors are not available for ASLA or ASLE models

# SLIM TEMP UNIT COOLERS

Space saving design for reach-ins, salad bars, back bars, etc. from 900 to 7,000 BTUH.



## COOLER APPLICATION

MODEL NUMBER	UNCOATED CORE		BAKED EPOXY CORE MODEL NO.	BAKED EPOXY COIL		DIMENSIONS			APROX. SHIP WT. (LBS.)
	115V	230V		115V	230V	HT (IN)	LT (IN)	DP (IN)	
SLA 17-13	854	919	SLA 17-13RP	920	985	4-3/4	20-1/2	13-1/2	18
SLA 27-17	1,002	1,075	SLA 27-17RP	1,051	1,123	4-3/4	24	14-1/2	22
SLA 27-23	1,250	1,307	SLA 27-23RP	1,340	1,400	4-3/4	31-1/2	14-1/2	29
SLA 37-30	1,529	1,657	SLA 37-30RP	1,652	1,766	4-3/4	40	14-1/2	37
SLA 47-40	2,084	2,248	SLA 47-40RP	2,221	2,376	4-3/4	53-1/2	14-1/2	45
SLA 57-50	2,694	2,875	SLA 57-50RP	2,858	3,034	6-3/4	53-1/2	14-1/2	61

Specify voltage when ordering - add an "A" for 115V and "D" for 230V.

No EC or PSC motors for SLA models.

## FREEZER APPLICATION - ELECTRIC DEFROST

MODEL NUMBER	SINGLE SPEED EC MOTORS		SHADED POLE MOTORS		DIMENSIONS			APROX. SHIP WT. (LBS.)
	115V	230V	115V	230V	HT (IN)	LT (IN)	DP (IN)	
SLE 15-12	N/A	N/A	1,318	1,318	4-3/4	20-1/2	13-1/2	19
SLE 25-16	N/A	N/A	1,646	1,646	4-3/4	24	14-1/2	23
SLE 25-21	\$3,030	\$3,030	1,860	1,860	6-3/4	24	15-1/2	31
SLE 25-28	3,431	3,431	2,297	2,297	6-3/4	31-1/2	15-1/2	39
SLE 35-36	4,305	4,305	2,587	2,587	6-3/4	38-1/2	15-1/2	48
SLE 45-54	5,852	5,852	3,583	3,583	6-3/4	48-1/4	16-1/2	70
SLE 35-70	N/A	6,286	N/A	4,514	6-3/4	76-1/2	20-1/2	105

Specify voltage when ordering.

\$319 List adder for adjustable termination/fan delay control in lieu of a fixed controls.

controls on defrost models.

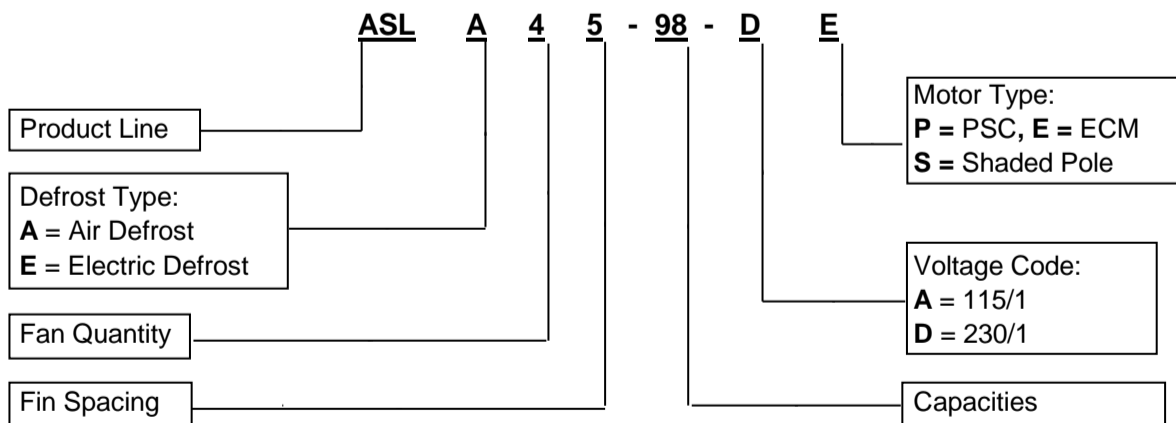
\$47 List adder for 3-prong electrical connector.

**ECM = Electronically Commutated Motors**

**PSC = Permanent Split Capacitor**

**SP = Shaded Pole**

### Reach-In Nomenclature



## WEDGE TEMP - CEILING MOUNTED UNIT COOLERS

Designed for reach-ins, beverage coolers and back bars from 1,200 to 5,500 BTU/HR



### COOLER APPLICATION

MODEL NUMBER	UNCOATED CORE		UNCOATED CORE		BAKED EPOXY CORE	BAKED EPOXY CORE		BAKED EPOXY CORE		DIMENSIONS			APROX. SHIP WT. (LBS.)	
	Single speed ECM		SHADED POLE			MODEL NO.	Single speed ECM		SHADED POLE		HT (IN)	LT (IN)		DP (IN)
	115V	230V	115V	230V			115V	230V	115V	230V				
WE17-12	\$1,426	\$1,442	\$847	\$864	WE17-12RP	\$1,480	\$1,526	\$908	\$953	8-5/16	15-1/4	15-7/8	16	
WE17-15	1,436	1,467	866	897	WE17-15RP	1,524	1,571	945	992	8-5/16	15-1/4	15-7/8	19	
WE17-18	1,461	1,505	894	939	WE17-18RP	1,543	1,609	968	1033	8-5/16	17-3/4	15-7/8	22	
WE17-25	1,626	1,671	1,047	1,091	WE17-25RP	1,695	1,772	1,112	1,189	8-5/16	19-7/8	16-7/8	29	
WE17-35	1,850	2,001	1,290	1,442	WE17-35RP	2,110	2,200	1,530	1,622	9-1/2	22-7/8	17-7/8	36	
WE17-45	2,179	2,284	1,623	1,728	WE17-45RP	2,547	2,716	1,971	2,140	9-5/8	26-3/4	20-1/2	57	
WE18-55	2,773	2,880	2,182	2,290	WE18-55RP	3,079	3,188	2,488	2,597	9-5/8	26-3/4	20-1/2	65	

Specify voltage when ordering - add an "A" for 115V and "D" for 230V. See Page 2 for nomenclature.

\$47 List adder for 3-prong electrical connector.

## FLEX TEMP LIMITED SPACE UNIT COOLERS

Designed for limited space, reach-ins, back bars, and beverage coolers, 600 to 3,100 BTU/HR.



### COOLER APPLICATION

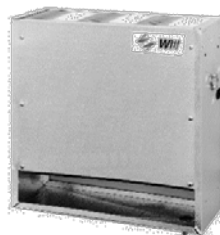
MODEL NUMBER	UNCOATED CORE		UNCOATED CORE		BAKED EPOXY CORE	BAKED EPOXY CORE		BAKED EPOXY CORE		DIMENSIONS			APROX. SHIP WT. (LBS.)	
	Single speed ECM		SHADED POLE			MODEL NO.	Single speed ECM		SHADED POLE		HT (IN)	LT (IN)		DP (IN)
	115V	230V	115V	230V			115V	230V	115V	230V				
FT18-6	N/A	N/A	\$637	\$659	FT18-6RP	N/A	N/A	\$665	\$681	6-3/4	12-1/2	9	9	
FT18-8	N/A	N/A	689	712	FT18-8RP	N/A	N/A	716	733	6-3/4	12-1/2	9	9	
FT28-12	N/A	N/A	785	855	FT28-12RP	N/A	N/A	870	955	7-3/4	18	9	14	
FT18-17	\$1,467	\$1,545	894	972	FT18-17RP	\$1,558	\$1,636	995	1,080	9-5/8	14	10-1/2	15	
FT18-23	2,030	2,136	1,439	1,545	FT18-23RP	2,150	2,256	1,540	1,625	11-5/8	16-3/4	13	20	
FT18-31	2,242	2,365	1,651	1,775	FT18-31RP	2,376	2,510	1,785	1,913	11-5/8	16-3/4	13	23	

Specify voltage when ordering - add an "A" for 115V and "D" for 230V. See Page 2 for nomenclature.

Unit is supplied with a three prong electrical connector.

## MULLION TEMP PANEL UNIT COOLERS

Designed for mullion, back wall, and side wall mounting from 1,300 to 2,300 BTU/HR.



### COOLER APPLICATION

MODEL NUMBER	UNCOATED CORE		BAKED EPOXY CORE	BAKED EPOXY CORE		DIMENSIONS			APROX. SHIP WT. (LBS.)	
	Single speed ECM			MODEL NO.	Single speed ECM		HT (IN)	LT (IN)		DP (IN)
	115V	230V			115V	230V				
MUF/MDF 27-13	\$1,186	\$1,247	27-13RP	\$1,206	\$1,290	17-1/8	15-5/8	5-5/8	20	
27-17	1,415	1,461	27-17RP	1,446	1,531	17-1/8	15-5/8	5-5/8	22	
37-23	1,692	1,811	37-23RP	1,721	1,848	17-1/8	22	5-5/8	30	

Specify voltage when ordering - add an "A" for 115V and "D" for 230V. See Page 2 for nomenclature.

Unit is supplied with a three prong electrical connector.

## T-TEMP UNIT COOLERS

Designed for reach-ins, beverage coolers and back bars from 800 to 1,700 BTU/HR



COOLER APPLICATION - AIR DEFROST									
MODEL NUMBER	UNCOATED CORE		BAKED EPOXY CORE MODEL NO.	BAKED EPOXY CORE		DIMENSIONS			APROX. SHIP WT. (LBS.)
	115V	230V		115V	230V	HT (IN)	LT (IN)	DP (IN)	
TT18-8	\$594	\$641	TT18-8RP	\$676	\$723	7-1/4	13-3/4	7-1/2	10
TT28-13	816	871	TT28-13RP	868	932	7-1/4	19-1/4	7-1/2	15
TT28-17	910	972	TT28-17RP	970	1,042	7-1/4	19-1/4	8-1/2	16

Specify voltage when ordering - add an "A" for 115V and "D" for 230V. See Page 2 for nomenclature.

## TWIN-TEMP TWO WAY CEILING UNIT COOLERS

Designed for reach-ins, beverage coolers and back bars from 900 to 12,000 BTU/HR.

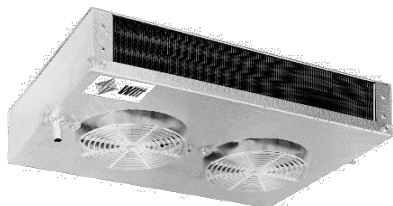


COOLER APPLICATION													
MODEL NUMBER	UNCOATED CORE Single speed ECM		UNCOATED CORE SHADED POLE		BAKED EPOXY CORE MODEL NO.	BAKED EPOXY CORE Single speed ECM		BAKED EPOXY CORE SHADED POLE		DIMENSIONS			APROX. SHIP WT. (LBS.)
	115V	230V	115V	230V		115V	230V	115V	230V	HT (IN)	LT (IN)	DP (IN)	
TW17-9	\$1,277	\$1,322	\$698	\$743	TW17-9RP	\$1,391	\$1,436	\$818	\$863	7-5/8	19	16-1/2	17
TW17-12	1,481	1,548	903	969	TW17-12RP	1,554	1,626	981	1,053	7-5/8	19	16-1/2	19
TW17-18	1,599	1,674	1,037	1,112	TW17-18RP	1,789	1,859	1,222	1,292	9-1/8	19	16-1/2	23
TW17-25	1,832	1,912	1,270	1,350	TW17-25RP	2,085	2,169	1,515	1,599	9-5/8	21	18-1/2	26
TW17-35	2,209	2,301	1,648	1,739	TW17-35RP	2,493	2,588	1,933	2,026	11-1/4	11	18-1/2	28
TW17-45	2,665	2,816	2,097	2,248	TW17-45RP	3,006	3,156	2,433	2,583	10	32	21-1/2	44
TW17-55	3,194	3,324	2,640	2,770	TW17-55RP	3,578	3,712	3,011	3,145	12	32	21-1/2	50
TW18-65	3,759	3,759	3,168	3,168	TW18-65RP	3,982	3,982	3,391	3,391	12	32	21-1/2	55
TW17-75	N/A	N/A	3,276	3,276	TW17-75RP	N/A	N/A	3,507	3,507	11	36-1/2	36	109
TW18-85	N/A	N/A	3,806	3,806	TW18-85RP	N/A	N/A	4,070	4,070	11	36-1/2	36	115
TW17-105	N/A	N/A	4,357	4,357	TW17-105RP	N/A	N/A	4,662	4,662	13	36-1/2	36	121
TW18-120	N/A	N/A	4,858	4,858	TW18-120RP	N/A	N/A	5,202	5,202	13	36-1/2	36	128

Specify voltage when ordering - add an "A" for 115V and "D" for 230V. See Page 2 for nomenclature.

ECM = Electronically Commutated Motors

## MINI TWIN-TEMP TWO WAY UNIT COOLER ONLY 3-1/4" HIGH



COOLER APPLICATION									
MODEL NUMBER	UNCOATED CORE SHADED POLE		BAKED EPOXY MODEL NO.	BAKED EPOXY SHADED POLE		DIMENSIONS			APROX. SHIP WT. (LBS.)
	115V	230V		115V	230V	HT (IN)	LT (IN)	DP (IN)	
MTW18-8	\$696	\$696	MTW18-8RP	\$825	\$825	3-1/4	14-1/4	13	14
MTW28-13	917	917	MTW28-13RP	993	993	3-1/4	19-1/4	13	15
MTW28-18	1,044	1,044	MTW28-18RP	1,226	1,226	3-1/4	19-1/4	13	18
MTW28-21	1,170	1,170	MTW28-21RP	1,255	1,255	3-1/4	19-1/4	13	20
MTW38-27	1,303	1,303	MTW38-27RP	1,502	1,502	3-1/4	28-1/2	13	23

Specify voltage when ordering - add an "A" for 115V and "D" for 230V. See Page 2 for nomenclature.

# WALL-TEMP PANEL UNIT COOLERS

Designed for mullion back wall and side wall mounting.  
From 600 to 4,500 BTU/HR.



MODEL NUMBER	UNCOATED CORE		BAKED EPOXY MODEL NO.	BAKED EPOXY CORE		DRAIN PAN*	DIMENSIONS			APPROX. SHIP WT. (LBS.)
	ECM	SHADED POLE		ECM	SHADED POLE		HT (IN)	WD (IN)	DP (IN)	
	115V/230V/1	115V/230V/1		115V/230V/1	115V/230V/1					
WA17-6	\$1,709	\$1,088	WA17-6RP	\$1,792	\$1,173	\$148	20-7/8	12	4-3/8	11
WA17-9	2,005	1,385	WA17-9RP	2,088	1,467	148	20-7/8	12	4-3/8	14
WA17-12	2,491	1,806	WA17-12RP	2,574	1,954	148	22-7/8	18	4-3/4	20
WA17-18	2,576	1,949	WA17-18RP	2,659	2,038	148	22-7/8	18	4-3/4	24
WA17-25	2,659	2,041	WA17-25RP	2,748	2,127	174	29	18	8-1/2	28
WA17-35	2,841	2,250	WA17-35RP	2,930	2,309	174	29	18	8-1/2	29
WA17-45	N/A	2,552	WA17-45RP	N/A	2,611	174	32-1/8	18	10-1/2	40

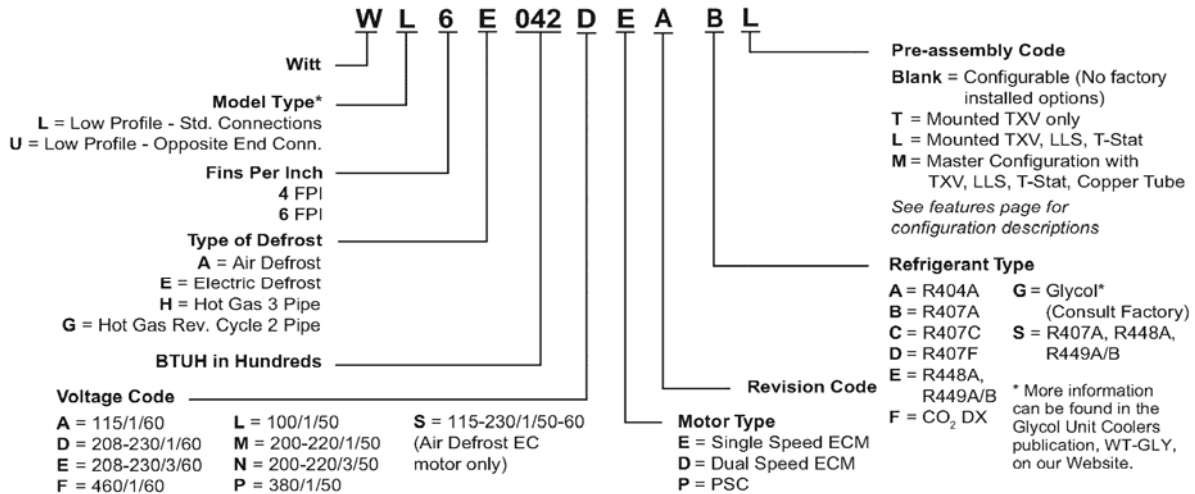
Specify voltage when ordering - add an "A" for 115V and "D" for 230V. See Page 2 for nomenclature.

\$47 List adder for 3-prong electrical connector.

\*Drain Pan is optional.

ECM = Electronically Commutated Motors

## NEXT-GEN ALL-TEMP LOW PROFILE UNIT COOLERS



\* NOTE: Refrigerant and electrical connection locations have been changed for the Next-Gen All-Temp design. Standard connections ("L") are now opposite of the legacy All-Temp models. Mirror image connections ("U" - same end as legacy Super-Flo models) are available only as built-to-order base units with no installed options.

### STANDARD FEATURES

- Textured aluminum construction
- All units are provided with sweat refrigerant connections
- All units suitable for use with R404A, R407A, R407C, R407F, R448A, R449A/B. Can be configured for use with CO<sub>2</sub> DX or Glycol
- U. L. approved black plastic fan guards and deep draw venturi provide optimal air flow
- Flush ceiling mount with slotted hangers and hinged access end panels
- Face mounted heaters and fixed defrost termination, fan delay and heater safety controls
- Single or dual voltage EC motors. Optional Dual speed available

### ORDERING INFORMATION

1. Model number
2. Motor Type
3. Motor electrical (voltage/phase/frequency)
4. Heater electrical (voltage/phase/frequency)
5. Units with mounted components require the following information: refrigerant type, evaporator temperature and T.D.

**NEXT-GEN ALL-TEMP • AIR DEFROST MODELS - 6 FPI**

MODEL NUMBER	Electronically Commutated Motors†			Single Speed PSC Motors					Baked Epoxy Coil Coating (Other coatings are also available. Contact Applications for a special quote). See note 6 below.	Insulated Drain Pan	Heat. Exchanger (Shipped loose) selected @10° T.D./R407A		Unit Cooler Approx. Ship Wt. (LBS)
	Configurable Model - Single speed operation (Motor code "E". No accessories mounted)	Configurable Model - Dual speed operation (Motor code "D". No accessories mounted)	Pre-Assembled with factory mounted accessories - Assembly Code L or M (Motor code "E" or "D"). See notes 1, 2 & 3 below.	Configurable Model - Single speed operation (Motor code "P". No accessories mounted)	Pre-Assembled with factory mounted accessories - Assembly Code L or M (Motor code "P"). See notes 1, 2 & 3 below.	Configurable Model - Single speed operation (Motor code "P". No accessories mounted)	Pre-Assembled with factory mounted accessories - Assembly Code L or M (Motor code "P"). See notes 1, 2 & 3 below.	Configurable Model - Single speed operation (Motor code "P". No accessories mounted)			Model	List Price	
	115V/208-230V/1 Voltage code "S"	115V/208-230V/1 Voltage code "S"	115V Voltage code "A"	115V/1 (Voltage code "A")	115V/1 (Voltage code "A")	208-230V/1 (Voltage code "D")	208-230V/1 (Voltage code "D")	460V/1 (Voltage code "F")					
WL6A041*	\$1,693	\$1,693	\$2,682	\$1,339	\$2,328	\$1,391	\$2,380	\$1,559	\$397	\$545	HX-25	\$156	41
WL6A052*	1,739	1,739	2,728	1,389	2,378	1,411	2,400	1,585	407	545	HX-25	156	44
WL6A066*	2,018	2,018	3,007	1,668	2,657	1,792	2,781	1,966	436	545	HX-50	184	47
WL6A073*	2,637	2,637	3,626	1,916	2,905	2,068	3,057	2,424	593	688	HX-50	184	52
WL6A094*	2,987	2,987	3,976	2,266	3,255	2,302	3,291	2,661	614	688	HX-50	184	55
WL6A117*	3,138	3,138	4,127	2,465	3,454	2,498	3,487	2,829	645	688	HX-75	253	58
WL6A130*	3,351	3,351	4,340	2,701	3,690	2,740	3,729	3,084	675	688	HX-75	253	62
WL6A141*	4,054	4,054	5,043	3,011	4,000	3,054	4,043	3,568	914	835	HX-75	253	72
WL6A161*	4,502	4,502	5,491	3,432	4,421	3,489	4,478	4,015	939	835	HX-75	253	78
WL6A181*	4,907	4,907	5,896	3,859	4,848	3,914	4,903	4,436	965	835	HX-100	324	85
WL6A195*	5,286	5,286	6,275	4,164	5,153	4,219	5,208	4,773	1,003	960	HX-100	324	115
WL6A235*	6,411	6,411	7,400	4,850	5,839	5,236	6,225	6,009	1,052	960	HX-150	374	124
WL6A260*	6,986	6,986	7,975	5,087	6,076	5,480	6,469	6,132	1,101	960	HX-150	374	147
WL6A295*	8,012	8,012	9,336	6,053	7,377	6,539	7,863	7,504	1,299	1,096	HX-150	374	218
WL6A330*	8,599	8,599	9,923	6,409	7,733	6,921	8,245	8,005	1,608	1,246	HX-250	517	257
WL6A390*	9,655	9,655	10,979	7,471	8,795	7,939	9,263	9,022	1,668	1,246	HX-250	517	262

† Electronically Commutated motors are not available for 380V, 460V, or 575V. Use PSC motors for 460V volts. Use EC motors for 100-230V 50HZ operations.

†† These models utilize dual voltage EC motors that are configurable for single or dual speed operation.

††† Dual speed motor operation employs a relay to control motor speed. LLS voltage must match the voltage applied to the motor.

†††† Specify motor speed: single (motor code E) or dual speed (motor code D) at time of order. (115 and 230 volt dual speed relays are both included with S voltage code.)

**NEXT-GEN ALL-TEMP • ELECTRIC DEFROST MODELS**

MODEL NUMBER	Electronically Commutated Motors††			Single Speed PSC Motors			Contact Applications for Coil Coating prices for electric defrost models	Insulated Drain Pan	Heat. Exchanger (Shipped loose) selected @10° T.D./R407A		Unit Cooler Approx. Ship Wt. (LBS)
	Configurable Model Single speed operation (Motor code "E". No accessories mounted)	Configurable Model Dual speed operation (Motor code "E". No accessories mounted)	Pre-Assembled with factory mounted accessories - Assembly Code L or M (Motor code "E" or "D"). See notes 1, 2 & 3.	Configurable Model - Single speed operation (Motor code "P". No accessories mounted)	Pre-Assembled with factory mounted accessories - Assembly Code L or M (Motor code "P"). See notes 1, 2 & 3 below.	Configurable Model - Single speed operation (Motor code "P". No accessories mounted)			Model	List Price	
	208-230V/1 or 3ph‡ (Voltage code "D" or "E")	208-230V/1 or 3ph‡ (Voltage code "D" or "E")	208-230V/1 or 3ph‡ (Voltage code "D" or "E")	208-230V/1 or 3ph‡ (Voltage code "D" or "E")	208-230V/1 or 3ph‡ (Voltage code "D" or "E")	460V/1 (Voltage code "F")					
WL6E035*	\$2,355	\$2,355	\$3,344	\$2,023	\$3,012	\$2,305	C/F	\$545	HX-25	\$156	41
WL6E042*	2,619	2,619	3,608	2,257	3,246	2,513	C/F	545	HX-25	156	44
WL6E049*	2,883	2,883	3,872	2,522	3,511	2,865	C/F	545	HX-25	156	47
WL6E066*	3,633	3,633	4,622	2,932	3,921	3,274	C/F	688	HX-50	184	52
WL6E077*	3,821	3,821	4,810	3,112	4,101	3,683	C/F	688	HX-50	184	55
WL6E090*	3,934	3,934	4,923	3,259	4,248	3,870	C/F	688	HX-50	184	58
WL6E105*	4,608	4,608	5,597	3,803	4,792	4,145	C/F	688	HX-50	184	62
WL6E121*	5,153	5,153	6,142	4,108	5,097	4,893	C/F	835	HX-75	253	78
WL6E142*	5,880	5,880	6,869	4,829	5,818	5,645	C/F	835	HX-75	253	85
WL6E162*	6,895	6,895	7,884	5,497	6,486	6,460	C/F	960	HX-75	253	124
WL6E182*	7,609	7,609	8,598	6,212	7,201	7,254	C/F	960	HX-100	324	147
WL6E200*	8,558	8,558	9,595	6,918	8,242	8,040	C/F	1,096	HX-100	324	195
WL6E244*	10,039	10,039	11,363	7,928	9,252	9,244	C/F	1,246	HX-150	374	238
WL6E281*	11,114	11,114	12,438	9,034	10,358	10,482	C/F	1,246	HX-150	374	238
WL4E027*	\$1,514	\$1,514	\$2,503	\$1,350	\$2,339	\$1,609	C/F	\$545	HX-25	\$156	40
WL4E032*	1,892	1,892	2,881	1,601	2,590	1,860	C/F	545	HX-25	156	42
WL4E038*	2,380	2,380	3,369	2,060	3,049	2,326	C/F	545	HX-25	156	46
WL4E051*	2,903	2,903	3,892	2,576	3,565	2,846	C/F	688	HX-25	156	50
WL4E064*	3,644	3,644	4,633	2,993	3,982	3,297	C/F	688	HX-50	184	52
WL4E080*	4,152	4,152	5,141	3,462	4,451	3,749	C/F	688	HX-50	184	55
WL4E094*	4,669	4,669	5,658	3,715	4,704	4,435	C/F	835	HX-50	184	79
WL4E110*	5,465	5,465	6,454	4,347	5,336	5,141	C/F	835	HX-50	184	84
WL4E125*	6,158	6,158	7,147	4,890	5,879	5,860	C/F	960	HX-75	253	124
WL4E141*	6,947	6,947	7,936	5,515	6,504	6,499	C/F	960	HX-75	253	144
WL4E155*	7,719	7,719	8,756	6,146	7,470	7,169	C/F	1,096	HX-75	253	191
WL4E195*	9,252	9,252	10,289	7,731	9,055	9,068	C/F	1,246	HX-100	324	257
WL4E230*	10,654	10,654	11,691	8,626	9,950	9,965	C/F	1,246	HX-150	374	262

†† Electronically Commutated motors are not available for 380V, 460V, or 575V. Use PSC motors for 460V volts. Use EC motors for 100-230V 50HZ operations.

††† These models utilize dual voltage EC motors that are configurable for single or dual speed operation. **Dual speed EC motors are compliant with California Title 24 regulations.**

†††† Dual speed motor operation employs a relay to control motor speed. LLS voltage must match the voltage applied to the motor.

††††† Specify motor speed, single (motor code E) or dual speed (motor code D) operation at time of order. All motors are single phase.

\* Refer to nomenclature example to complete the model number.

‡ Reference the catalog for 3 phase availability.

1. Pre-Assembly code L indicates that the unit includes factory mounted txv, liquid line solenoid, mechanical room t-stat.

2. Pre-Assembled code M designates a **Master unit** for a 2 evaporator Master / Slave evaporator setup. A master unit includes a mounted txv, liquid line solenoid, mechanical room t-stat and copper tee. Code M models are to be matched with an identical model, suffix code T, in order to complete the Master/Slave combination. See note 3 for description of code T models.

3. For Pre-Assembled code T (mounted TXV only), select a configurable model then add \$377 for up to 3 ton requirement or \$664 for 4 to 9 ton mounted txv to price of the configurable unit.

4. See page 18 for expansion valve pricing.

5. \$319 List adder for adjustable termination/fan delay control in lieu of a fixed controls.

6. Baked epoxy coating covers the coil only. Contact Application Engineering for coated housing or alternate coil coating. ElectroFin (not NSF approved), Bronz-Glow and Heresite are available coating options.

**NEXT-GEN ALL-TEMP**

**HOT GAS DEFROST / REVERSE CYCLE MODELS**

MODEL NUMBER	Electronically Commutated Motors†				PSC Motors			Insulated Drain Pan	Heat Exchanger Field Installed		Unit Cooler Approx. Ship Wt. (LBS)	
	Configurable Model <u>Single</u> speed operation (Motor code "E". No accessories mounted.)		Configurable Model - <u>Dual</u> speed motor operation (Motor code "D". No accessories mounted.)		Configurable Model - <u>Single</u> speed operation (Motor code "P". No accessories mounted.)				Model	List Price		
	115V/1 (Voltage code "A")	208-230V/1 (Voltage code "D")	115V/1 (Voltage code "A")	208-230V/1 (Voltage code "D")	115V/1 (Voltage code "A")	208-230V/1 (Voltage code "D")	460V/1 (Voltage code "F")					
6 F P I	WL6G035*	\$2,292	\$2,345	\$2,292	\$2,345	\$1,948	\$2,000	\$2,174	\$545	HX-25	\$156	41
	WL6G042*	2,589	2,650	2,589	2,650	2,226	2,286	2,467	545	HX-25	156	44
	WL6G049*	2,922	2,990	2,922	2,990	2,562	2,631	2,814	545	HX-25	156	47
	WL6G066*	3,508	3,733	3,508	3,733	2,806	3,031	3,378	688	HX-50	156	52
	WL6G077*	3,884	4,107	3,884	4,107	3,176	3,399	3,746	688	HX-50	184	55
	WL6G090*	4,115	4,392	4,115	4,392	3,427	3,705	4,054	688	HX-50	184	58
	WL6G105*	4,824	5,102	4,824	5,102	4,018	4,372	4,725	688	HX-50	184	62
	WL6G121*	5,066	5,389	5,066	5,389	4,032	4,344	4,862	835	HX-75	253	78
	WL6G142*	5,930	6,142	5,930	6,142	4,879	5,091	5,611	835	HX-75	253	85
	WL6G162*	6,585	7,000	6,585	7,000	5,186	5,601	6,301	960	HX-75	253	124
	WL6G182*	7,375	7,921	7,375	7,921	5,979	6,525	7,221	960	HX-100	253	147
	WL6G200*	7,796	8,289	7,796	8,289	6,078	6,571	7,442	1,096	HX-100	324	195
WL6G244*	9,441	10,134	9,441	10,134	7,325	8,032	9,104	1,246	HX-150	324	238	
WL6G281*	10,514	11,345	10,514	11,345	8,435	9,258	10,313	1,246	HX-150	324	262	
4 F P I	WL4G027*	\$1,579	\$1,640	\$1,579	\$1,640	\$1,350	\$1,411	\$1,924	\$545	HX-25	\$156	40
	WL4G032*	1,863	1,923	1,863	1,923	1,595	1,655	2,169	545	HX-25	156	42
	WL4G038*	2,358	2,412	2,358	2,412	2,016	2,070	2,252	545	HX-25	156	46
	WL4G051*	2,994	3,097	2,994	3,097	2,476	2,741	3,006	688	HX-25	156	50
	WL4G064*	3,757	3,860	3,757	3,860	3,107	3,202	3,446	688	HX-50	156	52
	WL4G080*	4,223	4,345	4,223	4,345	3,532	3,654	3,914	688	HX-50	184	55
	WL4G094*	4,546	4,865	4,546	4,865	3,593	3,990	4,387	835	HX-50	184	79
	WL4G110*	5,320	5,638	5,320	5,638	4,203	4,537	4,958	835	HX-50	184	84
	WL4G125*	5,922	6,327	5,922	6,327	4,653	5,177	5,700	960	HX-75	184	124
	WL4G141*	6,680	7,085	6,680	7,085	5,248	5,653	6,186	960	HX-75	253	144
	WL4G155*	7,262	7,759	7,262	7,759	5,687	6,135	6,729	1,096	HX-75	253	191
	WL4G195*	8,913	9,496	8,913	9,496	6,926	7,479	8,228	1,246	HX-100	324	257
WL4G230*	10,274	10,982	10,274	10,982	8,246	8,933	9,697	1,246	HX-100	324	262	

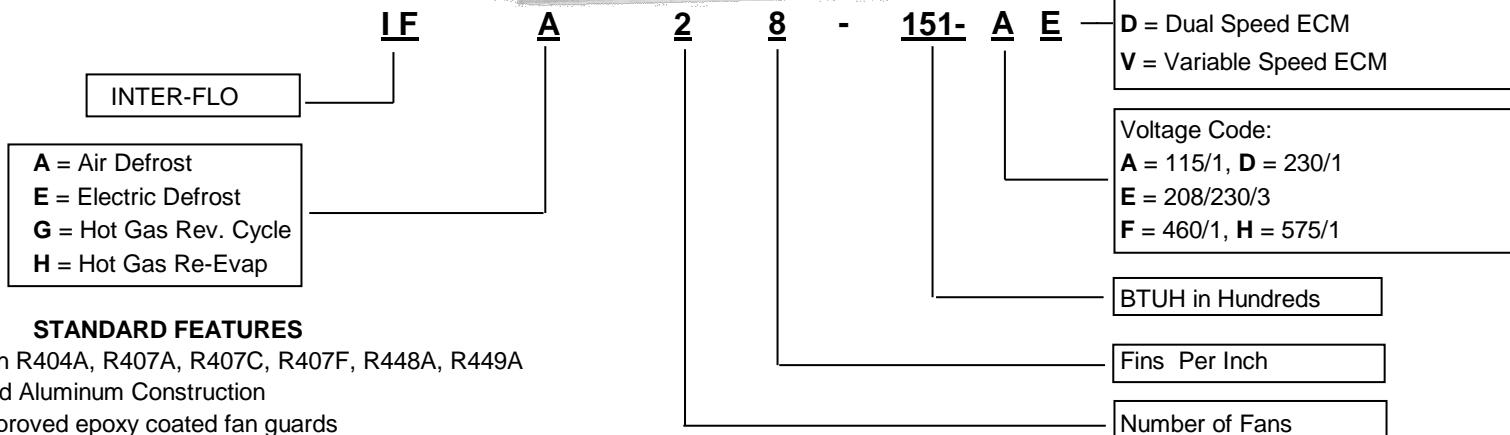
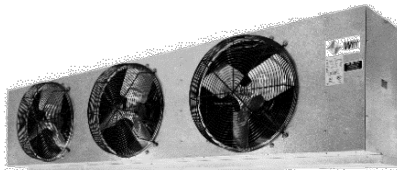
- \$379 List adder for liquid txv bypass check valve, shipped loose. \$582 list price adder for liquid txv bypass check valve - factory mounted.
- Consult factory for installed suction check valve prices.
- Hot Gas reverse cycle includes a fixed defrost termination control and a fixed fan delay control, factory wired.

**HOT GAS DEFROST / 3 PIPE DEFROST MODELS**

MODEL NUMBER	Electronically Commutated Motors†				PSC Motors			Insulated Drain Pan†	Unit Cooler Approx. Ship Wt. (LBS)	
	Configurable Model <u>Single</u> speed operation (Motor code "E". No accessories mounted.)		Configurable Model - <u>Dual</u> speed motor operation (Motor code "D". No accessories mounted.)		Configurable Model - <u>Single</u> speed operation (Motor code "P". No accessories mounted.)					
	115V/1 (Voltage code "A")	208-230V/1 (Voltage code "D")	115V/1 (Voltage code "A")	208-230V/1 (Voltage code "D")	115V/1 (Voltage code "A")	208-230V/1 (Voltage code "D")	460V/1 (Voltage code "F")			
6 F P I	WL6H035*	\$2,292	\$2,345	\$2,292	\$2,345	\$1,948	\$2,000	\$2,174	\$545	41
	WL6H042*	2,589	2,650	2,589	2,650	2,226	2,286	2,467	545	44
	WL6H049*	2,922	2,990	2,922	2,990	2,562	2,631	2,814	545	47
	WL6H066*	3,508	3,733	3,508	3,733	2,806	3,031	3,378	688	52
	WL6H077*	3,884	4,107	3,884	4,107	3,176	3,399	3,746	688	55
	WL6H090*	4,115	4,392	4,115	4,392	3,427	3,705	4,054	688	58
	WL6H105*	4,824	5,102	4,824	5,102	4,018	4,372	4,725	688	62
	WL6H121*	5,066	5,389	5,066	5,389	4,032	4,344	4,862	835	78
	WL6H142*	5,930	6,142	5,930	6,142	4,879	5,091	5,611	835	85
	WL6H162*	6,585	7,000	6,585	7,000	5,186	5,601	6,301	960	124
	WL6H182*	7,375	7,921	7,375	7,921	5,979	6,525	7,221	960	147
	WL6H200*	7,796	8,289	7,796	8,289	6,078	6,571	7,442	1,096	195
WL6H244*	9,441	10,134	9,441	10,134	7,325	8,032	9,104	1,246	238	
WL6H281*	10,514	11,345	10,514	11,345	8,435	9,258	10,313	1,246	262	
4 F P I	WL4H027*	\$1,579	\$1,640	\$1,579	\$1,640	\$1,350	\$1,411	\$1,924	\$545	40
	WL4H032*	1,863	1,923	1,863	1,923	1,595	1,655	2,169	545	42
	WL4H038*	2,358	2,412	2,358	2,412	2,016	2,070	2,252	545	46
	WL4H051*	2,994	3,097	2,994	3,097	2,476	2,741	3,006	688	50
	WL4H064*	3,757	3,860	3,757	3,860	3,107	3,202	3,446	688	52
	WL4H080*	4,223	4,345	4,223	4,345	3,532	3,654	3,914	688	55
	WL4H094*	4,546	4,865	4,546	4,865	3,593	3,990	4,387	835	79
	WL4H110*	5,320	5,638	5,320	5,638	4,203	4,537	4,958	835	84
	WL4H125*	5,922	6,327	5,922	6,327	4,653	5,177	5,700	960	124
	WL4H141*	6,680	7,085	6,680	7,085	5,248	5,653	6,186	960	144
	WL4H155*	7,262	7,759	7,262	7,759	5,687	6,135	6,729	1,096	191
	WL4H195*	8,913	9,496	8,913	9,496	6,926	7,479	8,228	1,246	257
WL4H230*	10,274	10,982	10,274	10,982	8,246	8,933	9,697	1,246	262	

- Hot Gas 3 Pipe Defrost models include a fixed defrost termination control and a fixed fan delay control, factory wired.
  - Use EC motors for 50HZ operation.
  - See page 18 for expansion valve pricing.
- † Electronically Commutated motors are not available for 380V, 460V, or 575V. Use PSC motors for 460V volts. Use EC motors for 100-230V 50HZ operations.
- † These models utilize single voltage EC motors that are configurable for single or dual speed operation. **Dual speed EC motors are compliant with California Title 24 regulations.**
- † Dual speed motor operation employs a relay to control motor speed. LLS voltage must match the voltage applied to the motor. Electric default: dual speed relay voltage is 230V.
- † Specify operating voltage: 115V (voltage code A) or 230V/1 (voltage code D) and motor speed: single (motor code E) or dual speed (motor code D) at time of order.
- \$319 List adder for adjustable termination/fan delay control in lieu of a fixed controls.
- Contact Application Engineering for coated housing or coil coating. ElectroFin (not NSF approved), Bronz-Glow and Heresite are available coating options.
- \* Reference nomenclature example to complete the model number.

# INTER-FLO MEDIUM PROFILE UNIT COOLERS



### STANDARD FEATURES

- Use with R404A, R407A, R407C, R407F, R448A, R449A
- Textured Aluminum Construction
- U.L. approved epoxy coated fan guards
- Separate fixed defrost termination and fan delay controls
- Permanently lubricated, high efficiency, ECM or PSC motors with
- Thermal overload protection
- All components are factory wired to terminal board. Connection points are marked for easy identification.
- Fully partitioned fan sections.

### ORDERING INFORMATION

1. Model number
2. Voltage, frequency, phase
3. Refrigerant type
4. Suction Temperature
5. Evaporator T.D.

### OPTIONS

Air Straightener - Fan Guards (price per fan) LIST \$337

### AIR DEFROST MODELS

Model Number	Electronically Commutated Motors†						PSC Motors					
	Single Speed Motors		Dual Speed Motors			Variable Speed Motors			Single Speed Motors			
	115V/1	230V/1	115V/1	230V/1	460V/1**	115V/1	230V/1	460V/1**	115V/1	230V/1	460V/1	575V/1
8	IFA28-151	\$5,191	\$5,269	\$5,620	\$5,764	\$6,153	No longer available	\$4,550	\$4,639	\$4,819	\$4,916	
	IFA28-210	6,261	6,338	6,690	6,833	7,222		5,168	5,247	5,320	5,427	
	IFA38-260	7,750	7,869	8,392	8,612	9,195		6,441	6,571	6,909	7,049	
F	IFA38-320	9,479	9,858	10,122	10,600	11,184		8,309	8,722	8,812	8,988	
	IFA28-410	12,056	12,536	12,584	13,064	13,420		10,102	10,560	10,778	10,993	
I	IFA28-450	13,660	13,974	14,188	14,502	14,858		11,656	11,956	12,318	12,566	
	IFA38-540	16,826	17,403	17,618	18,195	18,729		14,022	14,576	14,877	15,174	
	IFA38-690	17,622	17,992	18,415	18,785	19,318		15,286	15,651	16,174	16,498	
6	IFA26-145	5,018	5,084	5,447	5,579	5,968		No longer available	4,375	4,450	4,634	4,726
	IFA26-191	6,074	6,087	6,503	6,582	6,971			4,871	4,883	5,095	5,197
	IFA36-240	7,485	7,649	8,128	8,391	8,975			6,130	6,306	6,655	6,789
F	IFA36-305	9,219	9,467	9,862	10,209	10,793			7,890	8,154	8,427	8,596
	IFA26-370	11,700	12,026	12,229	12,554	12,910	9,721		10,030	10,372	10,579	
P	IFA36-415	13,242	13,457	14,034	14,250	14,783	11,362		11,580	11,827	12,064	
	IFA36-490	16,267	16,610	17,060	17,403	17,936	13,516		13,847	14,446	14,736	
	IFA36-620	17,080	17,355	17,873	18,147	18,681	14,465		14,731	15,510	15,820	
4	IFA24-126	4,821	4,903	5,249	5,398	5,787	No longer available		4,217	4,311	4,465	4,555
	IFA24-169	5,845	5,948	6,274	6,443	6,832			4,719	4,826	4,971	5,070
	IFA34-224	7,200	7,351	7,843	8,094	8,677			5,878	6,040	6,642	6,775
F	IFA34-287	8,886	9,223	9,529	9,966	10,549			7,631	7,993	8,408	8,575
	IFA24-340	11,236	11,482	11,764	12,010	12,366		9,397	9,633	9,934	10,133	
I	IFA24-395	12,694	13,319	13,222	13,847	14,203		11,002	11,614	12,183	12,428	
	IFA34-465	15,671	15,855	16,464	16,648	17,181		12,961	13,138	13,918	14,196	
	IFA34-585	16,447	16,968	17,240	17,761	18,294		13,997	14,506	15,458	15,768	

† Single speed Electronically Commutated motors are not available in 460V. EC motors are not available in 575V.  
 Dual speed motors include a relay which controls motor speed when wired to the T-stat. Field wiring is required unless T-Stat is mounted on the unit.  
**Dual speed EC motors are compliant with California Title 24 regulations.**

\*\* These 460V/1 models use 1/3 HP motors for all units.

\* Baked Epoxy coating on coil only.  
 Contact Application Engineering for coated housing or other types of coil coatings.

	MODEL NUMBER	Baked Epoxy Coil Coating*	Insulated Drain Pan	HEAT. EXCHANGER @ 10° T.D./R404A		APPROX. SHIPPING WEIGHT (LBS.)
				MODEL	LIST	
8	IFA28-151	\$1,220	\$1,859	HX-75	\$253	125
	IFA28-210	1,438	1,859	HX-75	253	145
	IFA38-260	1,637	2,085	HX-100	324	295
F	IFA38-320	1,846	2,085	HX-150	374	330
	IFA28-410	2,134	1,859	HX-150	374	370
I	IFA28-450	2,262	1,859	HX-250	517	390
	IFA38-540	2,574	2,085	HX-250	517	430
	IFA38-690	2,677	2,085	HX-250	517	540
6	IFA26-145	1,167	1,859	HX-75	253	120
	IFA26-191	1,375	1,859	HX-75	253	140
	IFA36-240	1,567	2,085	HX-100	324	290
F	IFA36-305	1,770	2,085	HX-150	374	320
	IFA26-370	2,040	1,859	HX-150	374	360
P	IFA36-415	2,162	2,085	HX-150	374	395
	IFA36-490	2,462	2,085	HX-250	517	415
	IFA36-620	2,564	2,085	HX-250	517	520
4	IFA24-126	1,088	1,859	HX-50	184	115
	IFA24-169	1,283	1,859	HX-75	253	130
	IFA34-224	1,458	2,085	HX-100	324	280
F	IFA34-287	1,645	2,085	HX-150	374	310
	IFA24-340	1,898	1,859	HX-150	374	345
I	IFA24-395	2,013	1,859	HX-150	374	375
	IFA34-465	2,294	2,085	HX-250	517	400
	IFA34-585	2,383	2,085	HX-250	517	505



**INTER-FLO • ELECTRIC DEFROST MODELS**

Model Number	Electronically Commutated Motors†					Single Speed PSC Motors			WIDTH (INCHES)	Insulated Drain Pan	Approx. Ship Wt. (LBS.)
	Single Speed	Dual Speed		Variable Speed		230V/1	460V/1	575V/1			
	230V/1	230V/1	460V/1**	230V/1	460V/1**						
6 F P I	IFE26-130	\$5,614	\$6,109	\$6,498	No longer available	\$4,592	\$4,822	\$4,919	55	\$1,859	125
	IFE26-150	5,891	6,386	6,775		5,221	5,465	5,574	55	1,859	140
	IFE36-185	8,831	9,574	10,157		7,020	7,670	7,824	76	2,085	295
	IFE26-270	11,029	11,584	11,913		9,871	10,408	10,616	76	1,859	320
	IFE26-320	12,469	13,024	13,353		10,692	11,449	11,679	76	1,859	365
	IFE36-385	15,563	16,396	16,889		13,130	13,759	14,034	106	2,085	450
	IFE36-460	16,166	16,999	17,492	14,396	15,418	15,726	106	2,085	490	
	IFE36-520	18,333	19,166	19,659	16,411	17,242	17,587	106	2,085	535	
4 F P I	IFE24-105	5,245	5,740	6,129	No longer available	4,495	4,763	4,859	55	1,859	120
	IFE24-140	6,769	7,264	7,653		5,090	5,269	5,375	55	1,859	135
	IFE34-175	7,703	8,445	8,587		6,392	6,889	7,027	76	2,085	285
	IFE24-230	10,588	11,143	11,472		8,869	9,578	9,769	76	1,859	315
	IFE24-325	14,835	15,390	15,719		12,558	13,316	13,582	76	1,859	350
	IFE34-390	15,686	16,519	17,012		13,760	14,686	14,981	106	2,085	425
	IFE34-510	17,859	18,692	19,185	16,726	17,977	18,338	106	2,085	530	

1. Electric defrost models include fixed defrost termination and fan delay controls.

2. Standard motor wiring is single phase (208/230V/1 or 460V/1.)

3. Standard heater wiring is 3 phase.(208/230V/3, 460V/3).

4. \*\* These 460V/1 models use 1/3 HP motors for all units.

† EC motors are not available for 575V applications.

**NOTE:** Units with dual speed motors include a relay which controls motor speed when wired to the room T-stat. Field wiring is required unless T-Stat is factory mounted.

**Dual speed EC motors are compliant with California Title 24 regulations.**

**Specify voltage when ordering.**

**See page 8 for voltage codes.**

**INTER-FLO • HOT GAS/ 3 PIPE DEFROST**

Model Number	Electronically Commutated Motors†						Single Speed PSC motors				Insulated Drain Pan	Heat Exchanger Accumulator	Approx. Ship Wt. (LBS.)
	Single Speed		Dual Speed		Variable Speed		115V/1	230V/1	460V/1	575V/1			
	115V/1	230V/1	230V/1	460V/1**	115V/1	230V/1							
6 F P I	IFH26-130	\$7,569	\$7,950	\$8,064	\$8,453	No longer available	\$6,130	\$6,522	\$6,805	\$6,940	\$1,859	Discontinued	125
	IFH26-150	9,328	9,421	9,823	10,212		7,633	7,724	8,073	8,208	1,859	Discontinued	140
	IFH36-185	11,507	11,700	12,250	12,833		10,083	10,292	10,848	11,050	2,085	Discontinued	295
	IFH26-270	14,342	14,697	14,897	15,226		13,057	13,419	14,097	14,232	1,859	Discontinued	320
	IFH26-320	16,013	16,418	16,569	16,897		13,961	14,358	15,282	15,359	1,859	Discontinued	365
	IFH36-385	18,517	18,717	19,350	19,843		16,469	16,676	17,675	17,891	2,085	Discontinued	450
	IFH36-460	21,832	22,168	22,665	23,158	19,143	19,474	20,665	20,926	2,085	Discontinued	490	
	IFH36-520	23,540	23,972	24,373	24,866	20,875	21,304	22,476	22,755	2,085	Discontinued	535	
4 F P I	IFH24-105	7,261	7,631	7,756	8,145	No longer available	5,920	6,304	6,740	6,875	1,859	Discontinued	120
	IFH24-140	8,671	9,035	9,166	9,555		7,380	7,758	8,312	8,479	1,859	Discontinued	135
	IFH34-175	11,080	11,278	11,822	11,964		9,677	9,889	10,526	10,737	2,085	Discontinued	285
	IFH24-230	14,098	14,273	14,653	14,982		12,727	12,909	13,454	13,723	1,859	Discontinued	315
	IFH24-325	17,775	18,088	18,330	18,659		15,966	16,276	17,208	17,554	1,859	Discontinued	350
	IFH34-390	20,391	20,699	21,224	21,717		17,966	18,276	19,417	19,806	2,085	Discontinued	425
	IFH34-510	21,202	21,543	22,035	22,528	18,434	18,765	20,007	20,407	2,085	Discontinued	530	

1. Hot Gas 3 -Pipe defrost models include factory installed fixed defrost terminator and fan delay controls.

2. \*\* These 460V/1 models use 1/3 HP motors for all units.

3. \*\* These 460V/1 models use 1/3 HP motors for all units.

**NOTE:** Units with dual speed motors include a relay which controls motor speed when wired to the room T-stat. Field wiring is required unless T-Stat is factory mounted.

**Dual speed EC motors are compliant with California Title 24 regulations.**

**Specify voltage when ordering.**

**See page 8 for voltage codes.**

† EC motors are not available for 575V applications.

**INTER-FLO • HOT GAS/ REVERSE CYCLE MODELS**

MODEL NUMBER	Electronically Commutated Motors†						Single Speed PSC motors				Insulated Drain Pan	Tev Bypass Check Valve	Approx. Ship Wt. (LBS.)
	Single Speed		Dual Speed		Variable Speed		115V/1	230V/1	460V/1	575V/1			
	115V/1	230V/1	230V/1	460V/1**	115V/1	230V/1							
6 F P I	ITG26-130	\$6,776	\$7,157	\$7,271	\$7,660	No longer available	\$5,338	5,729	\$6,016	\$6,135	\$1,859	\$379	125
	ITG26-150	8,537	8,631	9,032	9,421		6,842	6,934	7,284	7,429	1,859	379	140
	ITG36-185	9,424	9,572	10,166	10,750		8,000	8,163	8,807	8,983	2,085	379	295
	ITG26-270	12,226	12,443	12,781	13,110		10,940	11,165	11,867	12,105	1,859	379	320
	ITG26-320	13,827	14,159	14,383	14,711		11,775	12,099	13,042	13,303	1,859	779	365
	ITG36-385	16,162	16,392	16,995	17,488		14,114	14,350	15,353	15,660	2,085	779	450
	ITG36-460	18,232	18,634	19,065	19,558	15,542	15,941	17,217	17,561	2,085	779	490	
	ITG36-520	20,017	20,448	20,850	21,343	17,353	17,779	19,034	19,414	2,085	779	535	
4 F P I	ITG24-105	6,472	6,838	6,967	7,356	No longer available	5,132	5,511	5,951	6,070	1,859	379	120
	ITG24-140	7,875	8,241	8,370	8,759		6,585	6,964	7,522	7,672	1,859	379	135
	ITG34-175	9,052	9,186	9,794	9,936		7,649	7,796	8,459	8,628	2,085	379	285
	ITG24-230	11,895	12,112	12,450	12,779		10,524	10,748	11,087	11,308	1,859	379	315
	ITG24-325	15,611	15,840	16,166	16,495		13,801	14,028	14,481	14,772	1,859	779	350
	ITG34-390	17,729	18,038	18,562	19,055		15,305	15,616	16,411	16,739	2,085	779	425
	ITG34-510	19,382	19,727	20,215	20,708	16,614	16,949	18,191	18,555	2,085	779	530	

1. Liquid (TXV Bypass) check valve is shipped loose for field installation. Consult factory for installed liquid check valve pricing.

2. Hot Gas Reverse Cycle models include factory installed fixed defrost terminator and fan delay controls.

3. \*\* These 460V/1 models use 1/3 HP motors for all units. - All Models

**NOTE:** Units with dual speed motors include a relay which controls motor speed when wired to the room T-stat. Field wiring is required unless T-Stat is factory mounted.

† EC motors are not available for 575V applications.

**Dual speed EC motors are compliant with California Title 24 regulations.**

**Specify voltage when ordering.**

**See page 8 for voltage codes.**

# LOW AIR VELOCITY UNIT COOLERS

## LOW VELOCITY UNIT COOLER NOMENCLATURE

W  
I
W  
II
F  
III
050  
IV
A  
V
E  
VI
1  
VII
B  
VIII
1  
IX
1  
X
A  
XI
1  
XII
A  
XIII

**I. Model Series**

W – Witt

**II. Unit type**

W – Walk In Unit Cooler

**III. Series**

F – Low Air Velocity

**IV. Capacity – Three Number Characters**

050, 075, 100, 130, 160, 190, 220, 270, 340

**V. Voltage Code**

A – 115/1/60  
 D – 208-230/1/60  
 F – 460/1/60  
 L – 100/1/50  
 M – 200-220/1/50  
 P – 380/1/50  
 X – Other

**VI. Motor/Fan Type**

E – (EC) Electronically Commutated  
 P – (PSC) Permanent Split Capacitor  
 S – (SP) Shaded Pole  
 X – Other

**VII. Length in Fans**

1, 2, 3, 4, 5, 6

**VIII. Coil Density**

B – 6 fpi

**IX. Coil Material and Coating Options**

1 – Aluminum Fins (Al)	} Post Coat Materials
2 – Copper Fins (Cu)	
3 – Al + AST Coating	
4 – Al + Blygold	
5 – Al + Bronz-Glow	
6 – Al + Heresite	
8 – Baked Epoxy Coating	
X – Other	

**X. Housing Material and Coatings**

1 – Aluminum, Embossed  
 3 – White Painted  
 6 – Stainless Steel 304  
 X – Other

**XI. Unit Design Configuration**

A – Air Defrost  
 E – Electric Defrost  
 G – Hot Gas Reverse Cycle Defrost with Drain Pan Loop  
 H – Hot Gas Re-Evaporative Defrost with Drain Pan Loop  
 K – Hot Gas Reverse Cycle Defrost with 115V Heater  
 L – Hot Gas Reverse Cycle Defrost with 208/230V Heater  
 X – Other

**XII. Not Currently used**

**XIII. Revision Code – Single Alphanumeric Character**

A – Initial Release

# LOW AIR VELOCITY UNIT COOLERS

## BASE MODELS

Model Number	Air Defrost 115/1/60	Fan Configuration	Approx. Net Weight (lbs)
WWF050AE1B11A1A	\$3,885	1 x 1	50
WWF075AE2B11A1A	4,456	1 x 2	75
WWF100AE2B11A1A	5,622	1 x 2	85
WWF130AE3B11A1A	6,424	1 x 3	100
WWF160AE3B11A1A	7,143	1 x 3	110
WWF190AE4B11A1A	8,909	1 x 4	120
WWF220AE4B11A1A	10,241	1 x 4	130
WWF270AE5B11A1A	11,309	1 x 5	150
WWF340AE6B11A1A	14,439	1 x 6	180

## POSITION V

### Voltage options

Note: "N/A" = Not available, "N/C" = No additional charge, "—" = Base model features, "C/F" = Contact Factory

Voltage Code	Adder/(Deduct) Per Fan Section	Available Based Upon Position VI Motor Options
A – 115/1/60	—	Available for motor codes E, P, S
D – 208-230/1/60	\$50	Available for motor codes E, P, S
F – 460/1/60	16	Available for motor code P only
L – 100/1/50	—	Available for motor codes E, P, S
M – 200-220/1/50	50	Available for motor codes E, P, S
P – 380/1/50	16	Available for motor code P only

## POSITION VI

### Motor / Fan Type options

Note: "N/A" = Not available, "N/C" = No additional charge, "—" = Base model features, "C/F" = Contact Factory

Motor / Fan Type	Adder/(Deduct) Per Fan Section	Available Based Upon Position V
E - Electronically Commutated - Single Speed	—	Available for A,D,L,M
D - Electronically Commutated - Dual Speed	\$248 248	Available for A,L Available for D,M
P - Permanent Split Capacitor - Price deduct	(459)	Available for A,L,D,M,F,P

**POSITION VII** Length in Fans - No additional charge

**POSITION VIII Coil Density - 6 FPI** - No additional charge

**Position - IX**

### Coil Material and Coating options

Contact Application Engineering to obtain price quotes for special fin materials or coatings.

**Position - X**

### Housing Material and Coating options

Contact Application Engineering to obtain price quotes for special housing materials or coatings.

# LOW AIR VELOCITY UNIT COOLERS

## Position - XI

### Unit Design Configuration - Horizontal Air Discharge Only

Note: "N/A" = Not available, "N/C" = No additional charge, "—" = Base model features, "C/F" = Contact Factory

ELECTRIC DEFROST - Code E		
Voltage Code	Adder/(Deduct) Per Fan Section	Available Based Upon Position VI Motor Options
A – 115/1/60	N/A	N/A
D – 208-230/1/60	\$250	Available for motor codes E, P, S
F – 460/1/60	338	Available for motor code P only
L – 100/1/50	N/A	N/A
M – 200-220/1/50	250	Available for motor codes E, P, S
P – 380/1/50	338	Available for motor code P only

HOT GAS DEFROST - Reverse Cycle with Hot Gas drain pan loop - Code G		
Voltage Code	Adder/(Deduct) Per Fan Section	Available Based Upon Position VI Motor Options
A – 115/1/60	\$438	Available for motor codes E, P, S
D – 208-230/1/60	438	Available for motor codes E, P, S
F – 460/1/60	438	Available for motor code P only
L – 100/1/50	438	Available for motor codes E, P, S
M – 200-220/1/50	438	Available for motor codes E, P, S
P – 380/1/50	438	Available for motor code P only

HOT GAS DEFROST - Reverse Cycle with electric drain pan heater - Code K or L		
Voltage Code	Adder/(Deduct) Per Fan Section	Available Based Upon Position VI Motor Options
A – 115/1/60	\$286	Available for motor codes E, P, S
D – 208-230/1/60	286	Available for motor codes E, P, S
F – 460/1/60	N/A	N/A
L – 100/1/50	286	Available for motor codes E, P, S
M – 200-220/1/50	286	Available for motor codes E, P, S
P – 380/1/50	N/A	N/A

HOT GAS DEFROST - 3 pipe with Drain Pan loop - Code H		
Voltage Code	Adder/(Deduct) Per Fan Section	Available Based Upon Position VI Motor Options
A – 115/1/60	\$372	Available for motor codes E, P, S
D – 208-230/1/60	372	Available for motor codes E, P, S
F – 460/1/60	372	Available for motor code P only
L – 100/1/50	372	Available for motor codes E, P, S
M – 200-220/1/50	372	Available for motor codes E, P, S
P – 380/1/50	372	Available for motor code P only

Heat Exchanger/Accumulator (HEA) No Longer Available.

## Position - XII

Insulated Drain Pan		
Fan Configuration	No Insulation	Insulated Drain Pan <sup>1</sup>
1 X 1	—	\$2,557
1 X 2	—	3,281
1 X 3	—	4,242
1 X 4	—	4,820
1 X 5	—	5,717
1 X 6	—	6,615

1. Insulated Drain Pan not available with stainless steel or galvanized steel pans.

## Position - XIII

Revision Code: A - Initial Release

### Optional Expansion Valves

Balanced Port Expansion Valve - <b>Loose</b>	1/4 thru 3 Tons	\$333
	4 thru 9 Tons	426
Balanced Port Expansion Valve - <b>Mounted</b>	1/4 thru 3 Tons	377
	4 thru 9 Tons	664

### Optional Room T-Stat

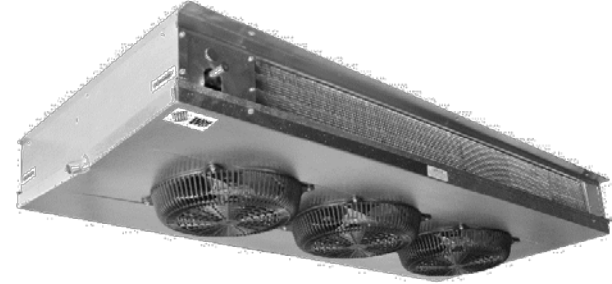
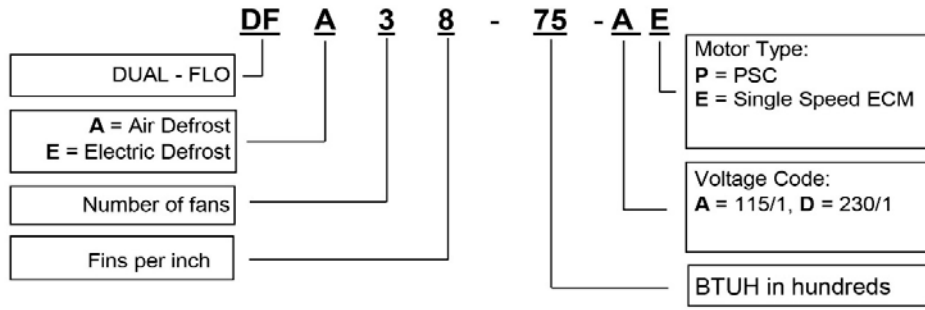
Type	RANGE	LIST
Mechanical - Loose	-30 to + 100	\$285
Mechanical - Mounted @ Evap	-30 to + 100	309
Electronic - Loose	-30 to + 100	368
Electronic - Mounted @ Evap	-30 to + 100	386

### Optional Liquid Line Solenoid Valve

HORSEPOWER RANGE	LOOSE	MTD
1/2 thru 3 HP	\$281	\$303
4 thru 8 HP	315	351

# DUAL-FLO DUAL DISCHARGE - LOW SILHOUETTE UNIT COOLERS

Center mount with two way air discharge.  
Designed for applications that require minimal coil height.



AIR DEFROST MODELS					
Model Number	EC Motors†		PSC <sup>1</sup> Motors	Approx. Ship Wt. (LBS.)	INSULATED DRAIN PAN
	115V/1	230V/1			
DFA38-75	\$2,970	\$3,270	\$2,135	95	\$4,196
DFA38-88	3,763	4,058	2,604	100	4,196
DFA38-98	4,151	4,634	2,911	105	4,196
DFA48-112	4,387	4,810	3,252	125	4,982
DFA48-130	4,539	5,613	3,604	130	4,982
DFA48-150	5,628	6,149	3,839	135	4,982
DFA58-162	6,108	6,701	4,320	150	5,596
DFA48-210	7,142	7,776	4,769	155	4,982
DFA58-230	7,916	10,013	5,353	165	5,596
DFA68-250	9,496	10,318	6,513	185	6,743
DFA36-64	2,911	3,028	2,093	90	4,196
DFA36-82	3,690	3,757	2,553	95	4,196
DFA36-93	4,070	4,290	2,854	100	4,196
DFA46-100	4,301	4,454	3,188	120	4,982
DFA46-123	5,031	5,197	3,533	125	4,982
DFA46-140	5,518	5,693	3,764	130	4,982
DFA56-157	5,989	6,205	4,235	145	5,596
DFA46-190	7,002	7,199	4,675	150	4,982
DFA56-208	7,767	8,019	5,248	160	5,596
DFA66-232	9,310	9,554	6,385	180	6,743

ELECTRIC DEFROST MODELS			
MODEL NUMBER	EC Motors†	Approx. Ship Wt. (LBS.)	INSULATED DRAIN PAN
	Single Speed 230V/1		
DFE36-53	\$4,709	95	\$4,196
DFE36-62	4,862	100	4,196
DFE36-69	4,852	105	4,196
DFE46-77	5,586	125	4,982
DFE46-90	6,250	130	4,982
DFE46-100	6,532	135	4,982
DFE56-125	6,786	150	5,596
DFE46-140	7,828	155	4,982
DFE56-160	8,769	165	5,596
DFE66-218	10,781	185	6,743
DFE34-48	3,401	90	4,196
DFE34-58	4,726	95	4,196
DFE34-65	4,870	100	4,196
DFE44-72	5,577	120	4,982
DFE44-84	6,218	125	4,982
DFE44-95	6,233	130	4,982
DFE54-115	6,506	145	5,596
DFE44-128	6,752	150	4,982
DFE54-145	7,818	160	5,596
DFE64-173	8,782	180	6,743

1. PSC motors are not available for models with 230V/1 requirements. Use models with EC motors for 230V/1 applications.

EC motors = Electronically Commutated Motors

EC motors are not Available in 460V/1 for these models.

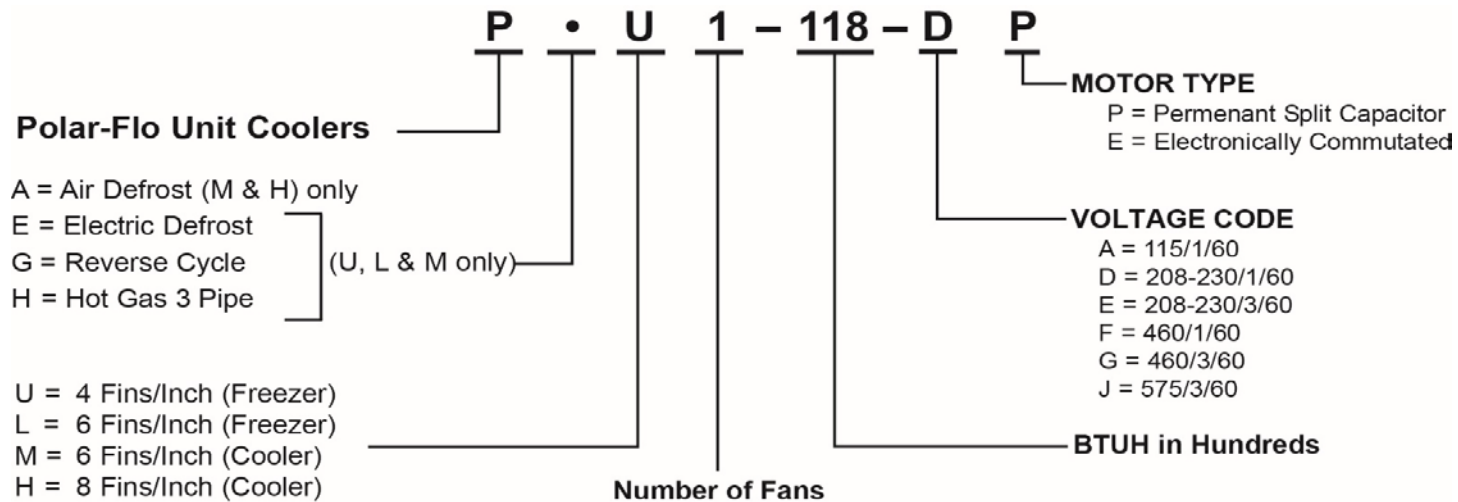
†Use single speed EC motors for 50HZ oper

All units are provided with sweat refrigerant connections.

230V/1/60 models also valid for 208V/1/60

Specify voltage when ordering. See nomenclature for available voltage and motor codes.

# POLAR-FLO HIGH PERFORMANCE WAREHOUSE UNIT COOLERS



# POLAR-FLO HIGH PERFORMANCE WAREHOUSE UNIT COOLERS

## STANDARD FEATURES

- All units suitable for R404A, R507, R407A, R407C, R407F, R448A, R449A
- Textured Aluminum Construction
- U.L. approved epoxy coated wire fan guards
- All 2 through 6 fan models shipped upright for easier installation
- Adjustable defrost termination and fan delay
- PSC motors with overload protection
- All electrical components are factory wired to a terminal board, and with connection points clearly marked for easy identification
- Fully partitioned fan sections

## ORDERING INFORMATION REQUIRED

1. Model number
2. Motor electrical wiring connections (voltage, phase, frequency)
3. Heater wiring connections (voltage, phase, frequency)
4. Evaporator temperature, T.D. and refrigerant type

## OPTIONS

DESCRIPTION	LIST PRICE
Air Straightener - Fan Guards (price per fan)	\$452
Copper Finned Coil	Contact factory
Coated Coil (ElectroFin, Heresite, etc.)	Contact factory

## AIR DEFROST - ROOM TEMPERATURE 35°F AND ABOVE

Model Number	Electronically Commutated Motors <sup>1</sup>							Single Speed PSC Motors <sup>1</sup>				Inherent 3 Phase Motors	
	Single Speed 115V / 230V/1	Dual Speed		Variable Speed			115V/1	208-230V/1	460V/1	575V/1	208-230V/3	460V/3	
		115V/1	208-230V/1	460V/1	115V/1	208-230V/1							460V/1
PAH1-182	\$5,434	\$5,699	\$5,712	\$5,876	No longer available	\$4,700	\$4,700	\$4,937	\$5,036	N/A	N/A		
PAH1-232	6,061	6,325	6,338	6,503		5,326	5,326	5,782	5,898	N/A	N/A		
PAH2-300	9,105	9,633	9,660	9,989		7,636	7,636	7,888	8,047	N/A	N/A		
PAH2-365	9,987	10,515	10,542	10,871		8,518	8,518	8,935	9,115	N/A	N/A		
PAH2-433	11,591	12,120	12,147	12,475		10,123	10,123	10,622	10,835	N/A	N/A		
PAH2-490	12,800	13,328	13,355	13,684		11,331	11,331	11,895	12,134	N/A	N/A		
PAH3-530	13,180	13,973	14,013	14,506		10,978	10,978	11,463	11,694	N/A	N/A		
PAH3-648	14,654	15,447	15,487	15,980		12,451	12,451	12,833	13,090	N/A	N/A		
PAH3-736	17,539	18,332	18,372	18,865		15,336	15,336	15,988	16,309	N/A	N/A		
PAH4-866	18,303	19,360	19,414	20,071		15,366	15,366	16,138	16,462	N/A	N/A		
PAH4-980	19,868	20,924	20,978	21,636		16,931	16,931	17,934	18,293	N/A	N/A		
PAH4-1100	21,643	22,700	22,754	23,411		18,706	18,706	19,647	20,040	N/A	N/A		
PAH4-1452†	29,999	N/A	31,401	31,913		N/A	26,472	27,792	28,349	28,978	28,978		
PAH4-1821†	36,945	N/A	38,347	38,859		N/A	33,418	35,093	35,795	35,904	35,904		
PAH5-2275†	39,490	N/A	41,243	41,882		N/A	35,081	37,302	38,333	38,995	38,995		
PAH6-2730†	47,051	N/A	49,154	49,922		N/A	41,760	43,449	44,319	47,371	47,371		
PAM1-164	5,281	5,545	5,558	5,723		No longer available	4,546	4,546	4,771	4,868	N/A	N/A	
PAM1-209	5,995	6,259	6,273	6,512			5,261	5,261	5,517	5,627	N/A	N/A	
PAM2-270	9,103	9,631	9,658	9,987			7,634	7,634	8,018	8,179	N/A	N/A	
PAM2-329	9,947	10,475	10,502	10,831			8,479	8,479	8,903	9,082	N/A	N/A	
PAM2-390	11,279	11,808	11,835	12,163	9,811		9,811	10,296	10,502	N/A	N/A		
PAM2-441	12,557	13,086	13,113	13,441	11,089		11,089	11,636	11,869	N/A	N/A		
PAM3-583	13,441	14,234	14,274	14,767	11,239		11,239	11,313	11,540	N/A	N/A		
PAM3-662	14,635	15,428	15,468	15,961	12,433		12,433	12,875	13,134	N/A	N/A		
PAM4-780	17,340	18,397	18,451	19,108	14,403		14,403	14,826	15,123	N/A	N/A		
PAM4-882	18,481	19,538	19,592	20,249	15,544		15,544	15,993	16,313	N/A	N/A		
PAM4-1100†	22,171	N/A	23,573	24,085	N/A		18,644	20,106	20,508	N/A	N/A		
PAM4-1320†	29,881	N/A	31,283	31,794	N/A		26,353	27,428	27,978	28,841	28,841		
PAM4-1656†	31,756	N/A	33,158	33,669	N/A		28,228	29,061	29,644	30,717	30,717		
PAM5-2065†	36,451	N/A	38,204	39,322	N/A		32,042	34,198	34,882	35,904	35,904		
PAM6-2480†	44,909	N/A	46,661	47,779	N/A		39,617	40,623	41,436	45,242	45,242		

MODEL NUMBER	HT.EXCH @10 T.D./R404A		Insulated Drain Pan	Approx. Ship Wt. (LBS)
	MODEL	LIST		
PAH1-182	HX-150	\$324	\$2,424	210
PAH1-232	HX-150	324	2,424	230
PAH2-300	HX-250	517	2,715	370
PAH2-365	HX-250	517	2,715	410
PAH2-433	HX-250	517	2,715	435
PAH2-490	HX-250	517	2,715	458
PAH3-530	HX-250	517	3,006	550
PAH3-648	HX-350	530	3,006	600
PAH3-736	HX-350	530	3,006	635
PAH4-866	HX-350	530	3,253	690
PAH4-980	HX-500	841	3,253	746
PAH4-1100	(2) HX-350	1,060	3,253	785
PAH4-1452†	(2) HX-350	1,060	3,253	905
PAH4-1821†	(2) HX-500	1,682	3,253	930
PAH5-2275†	(2) HX-500	1,682	3,549	1,160
PAH6-2730†	(2) HX-500	1,682	3,843	1,395

MODEL NUMBER	HT.EXCH @10 T.D./R404A		Insulated Drain Pan	Approx. Ship Wt. (LBS)
	MODEL	LIST		
PAM1-164	HX-150	\$324	\$2,424	200
PAM1-209	HX-150	324	2,424	220
PAM2-270	HX-250	517	2,715	360
PAM2-329	HX-250	517	2,715	400
PAM2-390	HX-250	517	2,715	425
PAM2-441	HX-250	517	2,715	446
PAM3-583	HX-350	530	3,006	585
PAM3-662	HX-350	530	3,006	620
PAM4-780	HX-350	530	3,253	675
PAM4-882	HX-350	530	3,253	726
PAM4-1100†	(2) HX-350	1,060	3,253	830
PAM4-1320†	(2) HX-350	1,060	3,253	885
PAM4-1656†	(2) HX-500	1,682	3,253	910
PAM5-2065†	(2) HX-500	1,682	3,549	1,135
PAM6-2480†	(2) HX-500	1,682	3,843	1,365

1. Motors are single phase. 3 thru 6 fan models are delta wired for 3 phase supply voltage unless otherwise specified.

2. Single speed Electronically Commutated motors are not available in 460V or 575V.

**Dual speed EC motors are compliant with California Title 24 regulations.**

† 115V motors are not available for these models.

230V motors are suitable for 208V operation.

**POLAR-FLO**  
**HIGH PERFORMANCE WAREHOUSE UNIT COOLERS**

<b>ELECTRIC DEFROST - LOW TEMPERATURE - BELOW +20°F ROOM</b>														
Model Number	Electronically Commutated Motors					Single Speed PSC Motors			3 Phase Motors		Ht. Exch @10° TD		Insulated Drain Pan	Approx. Ship Wt. (LBS)
	Single Speed	Dual Speed		Variable Speed		230V/1	460V/1	575V/1	208-230V/3	460V/3	MODEL	LIST		
	208-230V/1 ††	208-230V/1	460V/1	208-230V/1	460V/1									
PEL1-125	N/A	N/A	N/A	No longer available	\$5,080	\$5,530	\$5,641	N/A	N/A	HX-150	\$324	\$2,424	180	
PEL1-152	N/A	N/A	N/A		5,636	6,242	6,367	N/A	N/A	HX-150	324	2,424	200	
PEL1-193	N/A	N/A	N/A		6,957	7,412	7,560	N/A	N/A	HX-150	324	2,424	220	
PEL2-240	N/A	N/A	N/A		9,592	10,074	10,276	N/A	N/A	HX-250	517	2,715	360	
PEL2-304	N/A	N/A	N/A		10,476	11,000	11,220	N/A	N/A	HX-250	517	2,715	400	
PEL2-361	\$13,489	\$14,190	\$14,446		11,725	12,308	12,554	12,668	12,668	HX-350	530	2,715	425	
PEL2-408	14,459	15,160	15,415		12,695	12,873	13,130	13,637	13,637	HX-350	530	2,715	446	
PEL3-445	15,789	16,840	17,224		13,143	13,291	13,557	14,556	14,556	HX-500	841	3,006	525	
PEL3-540	17,598	18,650	19,034		14,953	15,704	16,019	16,363	16,363	HX-500	841	3,006	585	
PEL3-613	18,927	19,979	20,363		16,282	17,063	17,405	18,165	18,165	HX-500	841	3,006	620	
PEL3-660	20,799	21,851	22,235		18,154	18,978	19,359	20,017	20,017	HX-500	841	3,006	645	
PEL4-722	22,144	23,546	24,058		18,616	20,392	20,799	21,119	21,119	HX-500	841	3,253	675	
PEL4-817	27,340	28,742	29,254		23,812	25,004	25,505	26,314	26,314	HX-500	841	3,253	726	
PEL4-950*	29,946	31,348	31,860		26,419	26,957	27,497	28,908	28,908	HX-500	841	3,253	850	
PEL4-1100*	30,298	31,700	32,211		26,770	27,775	28,331	29,267	29,267	(2) HX-500	1,682	3,253	885	
PEL4-1260*	34,940	36,342	36,854		31,413	32,100	32,743	33,921	33,921	(2) HX-500	1,682	3,253	900	
PEL4-1380*	37,787	39,189	39,700		34,259	35,139	35,843	36,768	36,768	(2) HX-500	1,682	3,253	910	
PEL5-1575*	47,149	48,901	49,541		42,739	45,992	46,913	46,670	46,670	(2) HX-500	1,682	3,549	1,125	
PEL5-1725*	50,398	52,150	52,790		45,988	47,460	50,489	47,495	47,495	(2) HX-500	1,682	3,549	1,175	
PEL6-1890*	55,171	57,274	58,042		50,254	53,627	54,700	51,911	51,911	(2) HX-500	1,682	3,843	1,345	
PEL6-2070*	61,793	63,896	64,664	56,502	57,672	58,826	58,283	58,283	(2) HX-500	1,682	3,843	1,365		
PEU1-118	N/A	N/A	N/A	No longer available	5,810	6,099	N/A	N/A	N/A	HX-150	324	2,424	180	
PEU2-236	N/A	N/A	N/A		10,144	10,647	N/A	N/A	N/A	HX-250	517	2,715	370	
PEU2-355	14,749	15,800	16,184		12,985	13,166	13,430	13,927	13,927	HX-350	530	2,715	440	
PEU3-474	17,776	19,178	19,690		15,130	15,234	15,539	16,572	16,572	HX-350	530	3,006	570	
PEU4-711	22,879	24,281	24,793		19,352	19,603	19,997	21,811	21,811	HX-500	841	3,253	665	
PEU4-851*	29,502	30,904	31,416		25,974	26,181	26,707	28,483	28,483	(2) HX-500	1,682	3,253	875	
PEU4-1080*	33,885	35,287	35,798		30,357	31,337	31,964	32,852	32,852	(2) HX-500	1,682	3,253	900	
PEU5-1350*	46,655	48,407	49,047		42,245	42,908	43,767	46,115	46,115	(2) HX-500	1,682	3,549	1,125	
PEU6-1620*	58,563	60,666	61,433		53,271	57,514	58,665	58,882	58,882	(2) HX-500	1,682	3,843	1,350	

<b>ELECTRIC DEFROST - MEDIUM TEMPERATURE - ABOVE +30°F ROOM</b>														
Model Number	Electronically Commutated Motors					Single Speed PSC Motors			3 Phase Motors		Ht. Exch @10° TD		Insulated Drain Pan	Approx. Ship Wt. (LBS)
	Single Speed	Dual Speed		Variable Speed		230V/1	460V/1	575V/1	208-230V/3	460V/3	MODEL	LIST		
	208-230V/1 ††	208-230V/1	460V/1	208-230V/1	460V/1									
PEM1-164	\$6,574	\$6,852	\$7,016	No longer available	\$5,840	\$6,138	\$6,261	N/A	N/A	HX-150	\$324	\$2,424	200	
PEM1-209	7,616	7,894	8,058		6,882	7,338	7,484	N/A	N/A	HX-150	324	2,424	220	
PEM2-270	10,357	10,912	11,241		8,888	9,473	9,663	N/A	N/A	HX-250	517	2,715	360	
PEM2-329	11,696	12,252	12,580		10,228	10,901	11,119	N/A	N/A	HX-250	517	2,715	400	
PEM2-390	13,766	14,321	14,650		12,297	12,779	13,036	N/A	N/A	HX-250	517	2,715	425	
PEM2-441	15,044	15,599	15,928		13,576	14,255	14,541	N/A	N/A	HX-250	517	2,715	446	
PEM3-583	17,907	18,740	19,233		15,704	16,749	17,084	16,294	16,294	HX-350	530	3,006	585	
PEM3-662	19,288	20,121	20,614		17,086	17,773	18,129	17,776	17,776	HX-350	530	3,006	620	
PEM4-780	23,165	24,276	25,079		20,228	20,448	20,858	21,275	21,275	HX-350	530	3,253	675	
PEM4-882	26,893	28,004	28,806		23,956	24,843	25,340	25,542	25,542	HX-350	530	3,253	726	
PEM4-1100	30,556	31,958	32,469		27,028	28,379	28,947	28,565	28,565	(2) HX-350	1,060	3,253	830	
PEM4-1320	37,154	38,556	39,068		33,627	35,839	36,556	35,169	35,169	(2) HX-350	1,060	3,253	885	
PEM4-1656	48,252	49,654	50,166		44,725	46,254	47,180	46,338	46,338	(2) HX-500	1,682	3,253	910	
PEM5-2065	59,572	61,324	61,964		55,162	56,528	57,658	56,951	56,951	(2) HX-500	1,682	3,549	1,140	
PEM6-2480	69,151	71,254	72,022		61,403	62,743	63,998	64,504	64,504	(2) HX-500	1,682	3,843	1,365	

- Standard motors are single phase. Three thru six fan models are delta wired for 3 phase supply unless otherwise specified.
  - Single speed Electronically Commutated motors are not available in 460V or 575V. 230V motors are suitable for 208V operation.
- Dual speed EC motors are compliant with California Title 24 regulations.**
- \* - 2 liq. and suction connections per evaporator - 2 TXV's needed when ordering with unit. EC motors are not available for models with 1625 RPM motors.
- †† ECM motors only available in single phase. Can be delta wired for 3 phase operation.
- Ordering Information Required:**
- Model Number.
  - Motor type
  - Electrical connections (voltage/phase/frequency). See page 13 for codes and nomenclature.

**POLAR-FLO  
HOT GAS 3 PIPE DEFROST**

**LOW TEMPERATURE - BELOW + 20°F ROOM**

MODEL NUMBER	Electronically Commutated Motors					Single Speed PSC Motors			3 Phase Motors		Ht. Exch./Re-Evap No Longer Available	Insulated Drain Pan	Approx. Ship Wt. (LBS.)		
	Single Speed	Dual Speed		Variable Speed		230V/1	460V/1	575V/1	208-230V/3	460V/3					
	230V/1 ††	230V/1	460V/1	230V/1	460V/1										
PHL1-125	N/A	N/A	N/A	No longer available		\$6,256	\$6,568	N/A	N/A	N/A	Discontinued	\$2,424	180		
PHL1-152	N/A	N/A	N/A			6,773	7,111	N/A	N/A	N/A	Discontinued	2,424	200		
PHL1-193	N/A	N/A	N/A			7,925	8,314	N/A	N/A	N/A	Discontinued	2,424	220		
PHL2-240	N/A	N/A	N/A			11,068	11,622	N/A	N/A	N/A	Discontinued	2,715	370		
PHL2-304	N/A	N/A	N/A			11,941	12,542	N/A	N/A	N/A	Discontinued	2,715	400		
PHL2-361	\$16,129	\$16,830	\$17,086			14,365	15,082	\$15,384	N/A	N/A	Discontinued	2,715	425		
PHL2-408	17,709	18,410	18,665			15,945	16,740	17,075	N/A	N/A	Discontinued	2,715	446		
PHL3-445	19,494	20,546	20,929			16,848	17,698	18,053	\$16,848	\$16,848	Discontinued	3,006	525		
PHL3-540	21,147	22,198	22,582			18,501	19,430	19,819	18,501	18,501	Discontinued	3,006	585		
PHL3-613	21,902	22,953	23,337			19,388	20,356	20,764	19,388	19,388	Discontinued	3,006	620		
PHL3-660	23,549	24,601	24,984			21,036	22,092	22,533	21,036	21,036	Discontinued	3,006	645		
PHL4-722	27,291	28,693	29,205			23,622	24,804	25,301	23,622	23,622	Discontinued	3,253	675		
PHL4-817	31,803	33,205	33,716			28,134	29,536	30,127	28,134	28,134	Discontinued	3,253	726		
PHL4-950*	36,156	37,558	38,070			32,699	34,336	35,022	32,699	32,699	Discontinued	3,253	850		
PHL4-1100*	40,956	42,358	42,869			37,428	39,300	40,086	37,428	37,428	Discontinued	3,253	885		
PHL4-1260*	46,722	48,124	48,636			43,195	45,349	46,257	43,195	43,195	Discontinued	3,253	900		
PHL4-1380*	51,450	52,852	53,364			47,923	50,319	51,326	47,923	47,923	Discontinued	3,253	910		
PHU1-118	N/A	N/A	N/A			No longer available		6,687	7,017	N/A	N/A	N/A	Discontinued	2,424	180
PHU2-236	N/A	N/A	N/A					11,908	12,500	N/A	N/A	N/A	Discontinued	2,715	370
PHU2-355	18,189	18,890	19,146					16,425	17,244	17,589	N/A	N/A	Discontinued	2,715	440
PHU3-474	23,715	24,766	25,150	21,069	21,738			22,173	22,619	22,619	Discontinued	3,006	570		
PHU4-711	33,373	34,424	34,808	29,845	31,333			31,960	31,913	31,913	Discontinued	3,253	665		
PHU4-851*	38,361	39,412	39,796	34,833	36,576			37,308	36,901	36,901	Discontinued	3,253	875		
PHU4-1080*	49,274	50,325	50,709	45,746	48,036			48,997	47,813	47,813	Discontinued	3,253	900		

**MEDIUM TEMPERATURE - ABOVE + 28°F ROOM**

MODEL NUMBER	Electronically Commutated Motors					Single Speed PSC Motors			3 Phase Motors		Ht. Exch./Re-Evap No Longer Available	Insulated Drain Pan	Approx. Ship Wt. (LBS.)
	Single Speed	Dual Speed		Variable Speed		115V/230V	460V/1	575V/1	208-230V/3	460V/3			
	115/230V/1 ††	230V/1	460V/1	230V/1	460V/1								
PHM1-164	\$7,235	\$7,512	\$7,677	No longer available		\$6,500	\$6,824	\$6,961	N/A	N/A	Discontinued	\$2,424	200
PHM1-209	8,048	8,326	8,490			7,343	7,707	7,861	N/A	N/A	Discontinued	2,424	220
PHM2-270	11,517	12,073	12,401			10,078	10,580	10,792	N/A	N/A	Discontinued	2,715	360
PHM2-329	12,535	13,090	13,419			11,104	11,665	11,898	N/A	N/A	Discontinued	2,715	400
PHM2-390	14,675	15,230	15,559			13,265	13,922	14,200	N/A	N/A	Discontinued	2,715	425
PHM2-441	17,881	18,437	18,765			16,324	17,138	17,481	N/A	N/A	Discontinued	2,715	446
PHM3-583	20,870	21,703	22,196			18,557	19,486	19,875	\$19,224	\$18,484	Discontinued	3,006	585
PHM3-662	21,784	22,617	23,110			19,582	20,561	20,973	20,182	19,405	Discontinued	3,006	620
PHM4-780	24,549	25,659	26,317			21,612	22,688	23,143	22,496	21,630	Discontinued	3,253	675
PHM4-882	28,881	29,992	30,649			25,944	27,241	27,786	26,808	25,776	Discontinued	3,253	726
PHM4-1100†	34,158	35,560	36,072			30,631	32,173	32,817	31,456	30,246	Discontinued	3,253	830
PHM4-1320†	39,857	41,259	41,771			36,330	38,140	38,904	37,246	35,813	Discontinued	3,253	885
PHM4-1656†	50,349	51,751	52,263			46,821	49,161	50,145	47,667	45,833	Discontinued	3,253	910

† - Models not available with 115V motors.

230V motors are suitable for 208V operation.

\* - Two liquid and suction connections per evaporator - 2 TXV's required.

EC motors not available for models with 1625 RPM motors.

- Standard motors are single phase. 3 thru 6 fan models are delta wired for 3 phase supply.
- Single speed Electronically Commutated motors are not available in 460V or 575V.
- Models with 24" fans not available with 115V motors.

Dual speed EC motors are compliant with California Title 24 regulations.

†† ECM motors only available in single phase. Can be delta wired for 3 phase operation.

**Ordering Information Required:**

- Model Number
- Electrical connections. See page 13 for voltage codes and an example of nomenclature layout.



**POLAR-FLO  
HOT GAS - REVERSE CYCLE**

**LOW TEMPERATURE - BELOW + 20°F ROOM**

MODEL NUMBER	Electronically Commutated Motors					Single Speed PSC Motors			3 Phase Motors		Insulated Drain Pan	Ht. Exch @10° TD		Approx. Ship Wt. (LBS.)		
	Single Speed	Dual Speed		Variable Speed		230V/1	460V/1	575V/1	208-230V/3	460V/3		MODEL	LIST			
	230V/1 ††	230V/1	460V/1	230V/1	460V/1											
PGL1-125	N/A	N/A	N/A	No longer available		\$5,483	\$5,758	N/A	N/A	N/A	\$2,424	HX-150	\$324	180		
PGL1-152	N/A	N/A	N/A			6,006	6,303	N/A	N/A	N/A	2,424	HX-150	324	200		
PGL1-193	N/A	N/A	N/A			7,025	7,382	N/A	N/A	N/A	2,424	HX-150	324	220		
PGL2-240	N/A	N/A	N/A			9,705	10,188	N/A	N/A	N/A	2,715	HX-250	517	370		
PGL2-304	N/A	N/A	N/A			10,584	11,113	N/A	N/A	N/A	2,715	HX-250	517	400		
PGL2-361	\$13,800	\$14,151	\$14,279			12,036	12,521	\$12,772	\$13,718	\$13,718	2,715	HX-350	530	425		
PGL2-408	14,554	14,905	15,033			12,790	13,303	13,569	14,516	14,516	2,715	HX-350	530	446		
PGL3-445	18,654	19,004	19,132			15,585	16,209	16,533	17,234	17,234	3,006	HX-500	841	525		
PGL3-540	20,300	20,651	20,779			17,310	18,002	18,362	18,894	18,894	3,006	HX-500	841	585		
PGL3-613	20,767	21,118	21,246			17,883	18,601	18,973	19,573	19,573	3,006	HX-500	841	620		
PGL3-660	22,082	22,432	22,560			19,119	19,882	20,279	21,414	21,414	3,006	HX-500	841	645		
PGL4-722	24,839	25,189	25,317			21,134	21,876	22,314	24,416	24,416	3,253	HX-500	841	675		
PGL4-817	28,867	29,217	29,345			25,163	25,669	26,181	28,635	28,635	3,253	HX-500	841	726		
PGL4-950*	31,635	31,986	32,114			28,037	28,875	29,452	31,328	31,328	3,253	HX-500	841	850		
PGL4-1100*	32,955	33,305	33,433			29,322	29,815	30,412	32,673	32,673	3,253	(2) HX-500	1,682	885		
PGL4-1260*	36,815	37,166	37,294			33,217	34,218	34,902	37,403	37,403	3,253	(2) HX-500	1,682	900		
PGL4-1380*	40,481	40,832	40,960			36,883	38,448	39,218	41,285	41,285	3,253	(2) HX-500	1,682	910		
PGL5-1575*	44,862	45,212	45,340			40,452	45,608	46,521	45,190	45,190	3,549	(2) HX-500	1,682	1,125		
PGL5-1725*	48,454	48,805	48,932			44,044	46,509	47,440	49,893	49,893	3,549	(2) HX-500	1,682	1,175		
PGL6-1890*	55,018	55,368	55,496			49,938	51,685	52,719	56,773	56,773	3,843	(2) HX-500	1,682	1,250		
PGL6-2070*	59,554	59,904	60,032			54,792	59,318	60,505	62,061	62,577	3,843	(2) HX-500	1,682	1,300		
PGU1-118	N/A	N/A	N/A			No longer available		5,739	6,029	N/A	N/A	N/A	2,424	HX-150	324	180
PGU2-236	N/A	N/A	N/A					10,232	10,747	N/A	N/A	N/A	2,715	HX-250	517	370
PGU2-355	16,598	17,299	17,555					14,426	14,956	16,598	15,369	15,369	2,715	HX-350	530	440
PGU3-474	19,614	20,665	21,049	17,378	18,262			19,614	18,602	18,602	3,006	HX-350	530	570		
PGU4-711	26,555	27,957	28,468	19,994	20,314			26,555	25,401	25,401	3,253	HX-500	841	665		
PGU4-851*	32,099	33,501	34,013	25,961	26,853			32,099	31,148	31,148	3,253	(2) HX-500	1,682	875		
PGU4-1080*	35,230	36,632	37,144	30,118	32,184			35,230	35,797	35,797	3,253	(2) HX-500	1,682	900		
PGU5-1350*	47,686	49,438	50,078	42,514	45,071			47,686	52,069	52,069	3,549	(2) HX-500	1,682	1,150		
PGU6-1620*	62,862	62,862	64,297	59,053	63,931			62,862	69,099	69,099	3,843	(2) HX-500	1,682	1,275		

**MEDIUM TEMPERATURE - ABOVE + 30°F ROOM**

MODEL NUMBER	Electronically Commutated Motors					Single Speed PSC Motors			3 Phase Motors		Insulated Drain Pan	Ht. Exch @10° TD		Approx. Ship Wt. (LBS.)
	Single Speed	Dual Speed		Variable Speed		230V/1	460V/1	575V/1	208-230V/3	460V/3		MODEL	LIST	
	115V / 230V/1	230V/1	460V/1	230V/1	460V/1									
PGM1-164	\$6,848	\$7,126	\$7,290	No longer available		\$6,070	\$6,378	\$6,505	N/A	N/A	\$2,424	HX-150	\$324	200
PGM1-209	7,640	7,918	8,082			6,890	7,230	7,374	N/A	N/A	2,424	HX-150	324	220
PGM2-270	10,736	11,292	11,620			9,239	9,706	9,900	N/A	N/A	2,715	HX-250	517	360
PGM2-329	11,731	12,286	12,615			10,232	10,742	10,957	N/A	N/A	2,715	HX-250	517	400
PGM2-390	13,870	14,425	14,754			12,372	12,993	13,253	N/A	N/A	2,715	HX-250	517	425
PGM2-441	17,756	18,312	18,640			16,024	16,827	17,164	N/A	N/A	2,715	HX-250	517	446
PGM3-583	20,739	21,572	22,065			18,162	19,064	19,444	\$19,635	\$19,635	3,006	HX-350	530	585
PGM3-662	21,750	22,583	23,076			19,173	20,133	20,535	20,987	20,987	3,006	HX-350	530	620
PGM4-780	22,835	23,945	24,603			19,545	22,370	22,817	23,422	23,422	3,253	HX-350	530	675
PGM4-882	27,106	28,217	28,874			23,728	27,604	28,156	28,604	28,604	3,253	HX-350	530	726
PGM4-1100†	33,015	34,417	34,929			29,206	30,668	31,281	32,311	32,311	3,253	(2) HX-350	1,060	830
PGM4-1320†	37,369	38,771	39,282			33,665	35,346	36,053	42,320	42,320	3,253	(2) HX-350	1,060	885
PGM4-1656†	44,574	45,976	46,487			40,076	44,317	45,203	50,921	50,921	3,253	(2) HX-500	1,682	910
PGM5-2065†	49,420	51,173	51,812			44,922	55,390	56,497	61,842	61,842	3,549	(2) HX-500	1,682	1,130
PGM6-2480†	60,001	62,104	62,872			55,269	63,858	65,135	71,063	71,063	3,843	(2) HX-500	1,682	1,250

† - These models not available with 115V motors.

\* Two liquid and suction connections per evaporator - 2 TX's required.

1. Standard motors are single phase. Three thru six fan models are delta wired for 3 phase supply voltage.

2. List adder - Liquid TEV bypass check valve, shipped loose. \$379 (Through 270), \$1044 (Through 583), \$1654 (Through 2840).

3. Single speed Electronically Commutated motors are not available in 460V or 575V.

4. Models with 24" fans not available with 115V motors.

230V motors are suitable for 208V operation.

Dual speed EC motors are compliant with California Title 24 regulations.

†† ECM motors only available in single phase. Can be delta wired for 3 phase operation.

EC motors not available for models with 1625 RPM motors.

Ordering Information Required:

1. Model Number.
2. Electrical connections (voltage/phase/frequency). See page 13 for codes and nomenclature layout.
3. Evaporator temperature, T.D. and refrigerant type.

## SYSTEM PRICING EXAMPLES

### Example 1:

	5 HP, R-404A +35°F cooler matched with 2 unit coolers, 95°F summer ambient, 10°F winter ambient.	<u>LIST PRICE</u>
<u>QTY.</u>		
1	<b>WFDS05M4SEA Outdoor Condensing Unit 230/3/60</b> 53,000 BTUH @ 25° S.T. and 95 ambient	\$21,567
2	WL6A235AE Unit Coolers 115V/1/60	12,822
	<u>Field installed components</u>	
2	Thermostatic expansion valves	656
1	Liquid line solenoid valve	315
1	Room thermostat	285
	<u>Optional accessories</u>	
1	Air defrost timer installed	554
	<b>TOTAL LIST PRICE</b>	<b>\$36,199</b>
1	Additional 4 year Compressor Protection Plan	NET PRICE \$454

### Example 2:

	10HP, R-404a, -10°F Freezer, matched with 2 unit coolers 95°F Summer ambient, 35°F winter ambient	
<u>QTY.</u>		
1	<b>WFDS10L4SEA Outdoor Condensing 230/3/60</b> 50,300 BTUH @ -20° S.T. and 95° ambient	\$37,521
1	DMB35 Electric defrost provisions, factory installed	2,132
2	PEL2-304 unit coolers, 230/1/60 motors, 230/3/60 defrost 25,150 BTUH each @ 9 T.D.	20,952
	<u>Field installed components</u>	
2	Thermostatic expansion valves	1,102
1	Liquid line solenoid valve	455
1	Room thermostat	285
	<u>Optional accessories</u>	
1	Suction Accumulator	1,154
1	Oil separator	1,424
2	RXH - 350 Heat exchangers (field installed)	1,060
	<b>TOTAL LIST PRICE</b>	<b>\$66,085</b>
1	Additional 4 year Compressor Protection Plan	NET PRICE \$821

## OPTIONAL SYSTEM COMPONENTS

### HEAT EXCHANGERS - Shipped Loose

MODEL NUMBER	PART NUMBER	LIST PRICE	CONNECTIONS (inches)		APPROXIMATE LENGTH (inches)
			LIQUID	SUCTION	
HX-25	105065001	\$156	1/4	1/2	12
HX-50	105065003	184	3/8	5/8	13
HX-75	105065004	253	3/8	7/8	14
HX-100	105065005	324	3/8	1-1/8	14
HX-150	105065006	374	1/2	1-1/8	14
HX-250	105065007	517	5/8	1-3/8	14
HX-350	105065008	530	5/8	1-5/8	16
HX-500	105065009	841	7/8	2-1/8	17
LHX-15	105065010	2,307	7/8	2-1/8	30
LHX-20	105065011	2,469	1-1/8	2-1/8	30
LHX-25	105065012	2,644	1-1/8	2-5/8	38

### KE2 EVAP- OEM EVAPORATOR DEFROST CONTROL \*

DESCRIPTION	PART NUMBER	LIST EACH
Factory Installed - For <b>NEXT-GEN ALL-TEMP</b> Low Profile 115V or 230V/1 (Air or Electric Defrost Models)	0829632	\$3,792

\*1Ø units only. **Internally mounted control board**, external display, mounted sensors and EEV.

### SURVEILLANT EVAPORATOR DEFROST CONTROL\*

DESCRIPTION	PART NUMBER	LIST EACH
Factory Installed - For DFA models - 115V (Air Defrost Only)	08219551	\$5,506
Factory Installed - For DFA/DFE models - 230V/1 (Air or Electric Defrost)	08219552	
Smartgate Router (Shipped Loose)	08219541	\$2,890

\*1Ø units only. **Externally mounted control enclosure**, mounted sensors and EEV

### ROOM THERMOSTATS

TYPE	RANGE	LIST
Mechanical - Loose	-30°F to + 100°F	\$285
Mechanical - Installed @ Evap		309
Electronic - Loose	-30°F to + 100°F	368
Electronic - Installed @ Evap		386

### LIQUID LINE SOLENOID VALVE - LIST PRICE EACH

HORSEPOWER RANGE	LOOSE	MTD*
1/2 thru 3 HP	\$281	\$303
4 thru 8 HP	315	351
9 thru 10 HP	455	581
12 thru 15 HP	562	725
22 HP	717	831

### EXPANSION VALVES

BALANCED PORT TXV'S		List
1/4 - 3 Tons	Loose	\$333
	Installed	377
4 - 9 Tons	Loose	426
	Installed	664
10 - 30 Tons	Loose	741
	Installed	1,097
Electronic Expansion Valves		List
1 to 15 Tons	Loose	\$1,020
	Installed	1,348
16 to 25 Tons	Loose	1,465
	Installed	1,793

1. EEV prices include cable.  
2. EEV prices DO NOT include controller.

# NEXT-GENERATION PROLINE • AIR COOLED CONDENSING UNITS

## 1/2 THRU 6 H.P.

### Standard Features (all models)

- Hermetic or Scroll compressors
- Weather resistant painted galvanized steel housing on a raised galvanized steel base
- Generously sized condenser. Enhanced Copper tubing / Aluminum fins
- Integrated subcooling loop increases system efficiency
- Easy access liquid & suction line shut off valves mounted external to cabinet
- Liquid receiver with isolation valve and pressure relief plug
- **Liquid line filter/drier and sight glass with moisture indicator**
- Suction line piping (filter optional)
- Encapsulated auto reset high pressure control
- Encapsulated auto reset low pressure control for medium temp. models
- Adjustable low pressure control for low temp. models

- Mild Ambient Fan Cycle control (WB models only)
- Large electrical control panel with hinged/lift off door
- Color coded wiring with point-to-point wiring diagram
- Crankcase heater
- PSC condenser fan motor(s)
- **Air Defrost Timer on all Medium Temp. models**
- **All Low temp. models include Electric Defrost provisions**
- UL and CUL listed for indoor / outdoor use

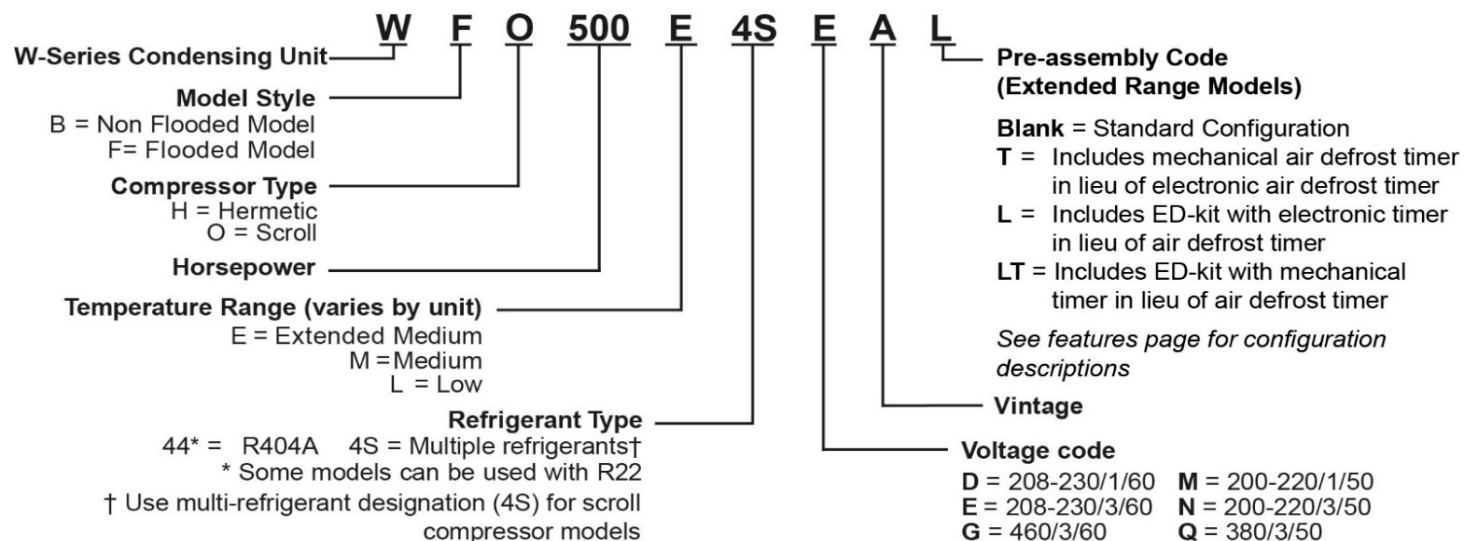


**WF models also include a Flooded Head Pressure Control Valve (70°F) as a standard feature**

### Optional Components

- Electric Defrost for extended range medium temp. models
- Suction line filter
- Mounted replaceable core liquid or suction line filter (4 to 6 HP)
- Suction Accumulator
- Oil Separator (may not be available with accumulator)
- Liquid line piping only (no filter)
- Copper or polyester coated fins
- Electro-Fin coated condenser coil
- Single Speed EC condenser mtr.
- Pumpdown toggle switch
- Thru-the-door disconnect switch (some models)
- External fused or non-fused disconnect
- Paragon mechanical timer
- CPC timer
- Phase loss monitor
- Snow / Hail guards

### NOMENCLATURE



### HERMETIC COMPRESSOR MODELS

REF TYPE	NOM. H.P.	MODEL NUMBER	Compressor	WF OUTDOOR FLOODED LIST PRICE (Includes Flooded Head Pressure Control Valve, Liquid Line Kit with Filter/Drier and Sight Glass with Moisture Indicator, and Defrost Timer or Kit)			WB INDOOR / OUTDOOR BASE UNIT LIST PRICE (Includes Fan Cycle Head Pressure Control Valve, Liquid Line Kit with Filter/Drier and Sight Glass with Moisture Indicator, and Defrost Timer or Kit)			†ECM cond. motor add.	4 year Compressor Protection Plan	Approx. Ship Wt. (LBS)
				208-230V/3	208-230V/1	460V/3	208-230V/3	208-230V/1	460V/3			
EXTENDED RANGE MEDIUM TEMP 404A	0.50	W*H055E4S	RST45C1E	N/A	\$6,665	N/A	N/A	\$6,245	N/A	\$248	\$105 NET	152
	0.75	W*H080E4S	RST55C1E	N/A	6,721	N/A	N/A	6,327	N/A	248	105 NET	156
	0.75	W*H090E4S	RST64C1E	N/A	7,143	N/A	N/A	6,707	N/A	248	105 NET	160
	1.00	W*H100E4S	RST70C1E	\$7,395	7,479	N/A	\$6,928	7,013	N/A	248	105 NET	167
	1.25	W*H125E4S	RST97C1E	7,745	7,833	N/A	7,285	7,356	N/A	496	118 NET	195
	1.50	W*H150E44	CS10K6E	8,027	8,052	\$8,528	7,573	7,582	\$7,980	496	118 NET	205
	2.00	W*H200E44	CS12K6E	8,608	8,452	N/A	8,137	7,993	N/A	496	129 NET	228
	2.50	W*H250E44	CS14K6E	8,941	9,090	9,880	8,445	8,595	9,388	496	129 NET	235
LOW TEMP 404A	3.00	W*H300E44	CS18K6E	8,853	9,040	9,807	8,416	8,604	9,374	496	142 NET	253
	3.00	W*H325E44	CS20K6E	9,335	9,521	10,311	8,897	9,079	9,877	496	142 NET	273
	1.00	W*H100L44	CF04K6E	7,415	7,294	N/A	6,955	6,916	N/A	496	118 NET	195
	1.50	W*H150L44	CF06K6E	7,453	7,324	7,757	6,996	6,944	7,316	496	118 NET	195
	2.00	W*H200L44	CF09K6E	8,339	8,002	8,475	7,867	7,621	8,031	496	129 NET	243
	3.00	W*H300L44	CF12K6E	10,591	10,448	11,104	10,169	10,017	10,672	496	142 NET	255

§ For R507 models, use equivalent R404A model prices.

\* Models 055E4S, 080E4S, and 090E4S are not suitable for use with R507. Use Scroll compressors for refrigerants other than R404A/507.

†Additional price to order optional ECM condenser fan motors. Not available for 460V.

**NOTE:** An optional Electric Defrost kit must be ordered in lieu of the standard Air Defrost Timer when Extended range medium temperature models are used for low temperature applications.

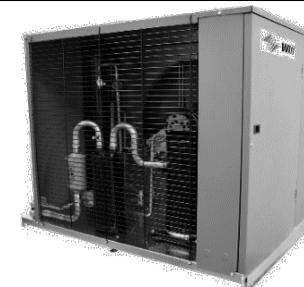
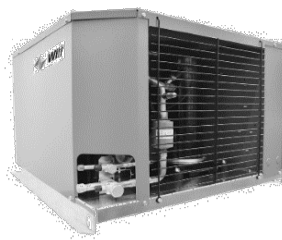
# NEXT-GENERATION W-SERIES • AIR COOLED CONDENSING UNITS

1/2 Thru 6 H.P. Scroll compressors

## Next-Gen W-Series Scroll:

W-Series Next-Gen Air Cooled Condensing Units are configured with quiet and reliable scroll compressors.

Models range from 1/2 to 6 horsepower. Refer to page 21 for a list of optional components and publication number WT-WFH for detailed specifications.



## NEXT-GEN W-SERIES • SCROLL CONDENSING UNITS

Temp Range	NOM H.P.	Model Number	Compressor	WF Flooded Unit LIST PRICE <small>(Includes Flooded Head Pressure Control Valve, Liquid Line Kit with Filter/Drier and Sight Glass with Moisture Indicator, and Defrost Timer or Kit)*</small>			WB Non Flooded UNIT LIST PRICE <small>(Includes Fan Cycle Head Pressure Control Valve, Liquid Line Kit with Filter/Drier and Sight Glass with Moisture Indicator, and Defrost Timer or Kit)*</small>			EC <sup>1</sup> Motor Adder	4 Year Compressor Protection Plan	Approx. Ship Wt. (LBS)	
				208-230V/3	208-230V/1	460/3	208-230V/3	208-230V/1	460/3				
				Medium Temp	0.5	W*O060M4S	ZB06KAE	\$7,429	\$7,341				N/A
0.75	W*O080M4S	ZB07KAE	7,955		7,752	N/A	7,589	7,386	N/A	248	194	NET	195
1.0	W*O100M4S	ZB08KAE	8,050		7,897	N/A	7,684	7,527	N/A	248	194	NET	195
1.0	W*O130E4S	ZS09KAE	8,336		8,362	\$9,176	7,958	7,950	\$8,803	248	194	NET	195
1.25	W*O150E4S	ZS11KAE	8,473		8,418	9,398	8,092	8,010	9,018	248	194	NET	205
1.5	W*O180E4S	ZS13KAE	9,157		9,311	9,849	8,691	8,719	9,427	248	194	NET	210
2.0	W*O200E4S	ZS15KAE	9,385		9,321	9,962	8,937	8,874	9,540	248	194	NET	215
2.5	W*O250E4S	ZS19KAE	9,621		9,496	10,103	9,181	9,047	9,681	248	194	NET	230
3.0	W*O300E4S	ZS21KAE	10,341		10,165	10,774	9,951	9,787	10,408	442	253	NET	305
3.5	W*O350E4S	ZS26KAE	11,340		11,165	11,743	10,899	10,720	11,317	442	253	NET	325
4.0	W*O400E4S	ZS29KAE	11,096		11,318	12,205	10,699	10,883	11,812	442	264	NET	352
Low Temp	4.5	W*O450E4S	ZS33KAE	11,971	12,213	13,176	11,544	11,802	12,656	442	271	NET	375
	5.0	W*O500E4S	ZS38K4E	12,920	12,780	13,320	12,543	12,398	12,915	442	271	NET	383
	6.0	W*O600E4S	ZS45K4E	14,337	N/A	14,739	13,842	N/A	14,314	442	271	NET	405
	1.0	W*O100L4S	ZF03KAE	8,575	8,462	N/A	8,005	8,003	N/A	248	194	NET	195
	1.3	W*O130L4S	ZF04KAE	8,948	8,830	N/A	8,445	8,403	N/A	248	194	NET	195
	1.5	W*O160L4S	ZF05KAE	9,349	9,225	N/A	8,891	8,819	N/A	248	194	NET	195
	2.3	W*O230L4S	ZF07K4E	9,921	9,788	N/A	9,534	9,405	N/A	248	194	NET	230
	2.5	W*O250L4S	ZF08K4E	10,760	10,571	11,601	10,394	10,205	11,021	248	194	NET	240
	3.0	W*O300L4S	ZF09K4E	11,152	10,948	11,799	10,786	10,826	11,381	248	253	NET	245
	3.5	W*O350L4S	ZF11K4E	12,233	12,096	12,635	11,866	11,693	12,269	248	253	NET	255
	4.0	W*O400L4S	ZF13K4E	13,766	13,629	13,960	13,400	13,263	13,594	442	264	NET	352
5.0	W*O500L4S	ZF15K4E	14,160	14,084	14,393	13,794	13,653	14,027	442	264	NET	367	
6.0	W*O600L4S	ZF18K4E	14,983	N/A	15,223	14,617	N/A	14,857	442	271	NET	383	

<sup>1</sup>Additional list price to order optional Electronically Commutated condenser fan motors. Not available for 460V.

See page 19 for voltage codes and an example of nomenclature layout.

**NOTE:** An optional Electric Defrost kit must be ordered in lieu of the standard Air Defrost Timer when Extended Range Medium Temperature Models are used for low temperature applications.

## LEGACY PROLINE / G-SERIES • AIR COOLED CONDENSING UNITS

### Standard features for Legacy GE style Indoor / Outdoor models:

- Semi-hermetic or Discus Scroll compressors
- Heavy gauge galvanized steel weather-proof housing on a raised base
- Compressor Contactor (three phase) or Start Kit (single phase)
- Main Power Block and Control Circuit Fuses
- High-low Pressure Control and Oil Pressure Control (when required)
- Liquid Receiver with Shut-off Valve and Pressure Relief Plug
- Liquid and suction line piping (filters are optional)
- PSC condenser fan motor(s)
- UL and cUL listed.

### Standard features for Legacy GL style Outdoor models:

- Same features as GE models, plus:
- Liquid Line Filter/Drier, Sight Glass & Pre-bent Piping
- Crankcase Heater
- Low ambient Head Pressure Valve.
- Air Defrost Timer on 2-1/2 to 3 H.P. Medium & High Temp models
- Electric Defrost Timer with Defrost Contactor/Relay on Low Temp models (ED10-230/1 on 1/2 thru 3 HP)

## SEMI-HERMETIC COMPRESSOR MODELS

REF TYPE	NOM H.P.	Model Number	Compressor	GL OUTDOOR PACKAGE LIST PRICE			GE INDOOR/ OUTDOOR LIST PRICE			4 Year Compressor Protection Plan	Approx. Ship Wt. (LBS)	EC <sup>1</sup> Motor Adder	
				208-230V/3	208-230V/1	460V/3	208-230V/3	208-230V/1	460V/3				
				MEDIUM TEMP 404A	0.75	G*S075M44	KAN-007E	\$8,015	\$8,015				N/A
1.0	G*S100M44	KAR-010E	8,253		8,253	N/A	6,804	6,804	N/A	194	NET	220	248
1.5	G*S150M44	KAG-010E	9,988		N/A	N/A	8,158	N/A	N/A	194	NET	245	496
2.0	G*S200M44	KAK-02xE	11,728		11,728	N/A	10,150	10,150	N/A	194	NET	270	496
2.5	G*S250M44	ERC-02xE	12,192		N/A	13,334	11,719	N/A	\$12,785	194	NET	385	496
LOW TEMP R404A	0.50	G*S050L44	KAN-005E	8,584	8,584	N/A	6,250	6,035	N/A	194	NET	189	248
	0.75	G*S075L44	KAM-007E	9,216	9,216	N/A	6,584	6,402	N/A	194	NET	205	248
	1.0	G*S100L44	KAJ-01xE	9,638	9,638	9,977	7,258	7,244	7,538	194	NET	220	248
	1.5	G*S150L44	KAL-01xE	10,057	9,900	11,000	8,474	8,337	9,900	194	NET	248	496
	2.0	G*S200L44	EAV-021E	12,410	12,477	13,143	10,314	10,467	12,343	194	NET	290	496
3.0	G*S300L44*	LAH-032E	13,792	13,792	14,191	12,402	12,683	13,382	253	NET	383	496	

\* Model G\*S300L44 is not available for 208V/1 (230V only).

<sup>1</sup>Additional list price to order optional Electronically Commutated condenser fan motors. Not available for 460V.

## DISCUS COMPRESSOR MODELS

No Longer Available. Select Next Gen II model - See Page 22

**W-SERIES / LEGACY PROLINE G-SERIES • AIR COOLED CONDENSING UNITS  
1/2 THRU 6 H.P. - OPTIONS**

**FACTORY INSTALLED OPTIONS**

OPTIONS / ACCESSORIES	OPTION NUMBER	H.P. RANGE	WF MODELS	WB MODELS	GL PACKAGE	GE MODELS
CRANKCASE HEATER	CCH-1	1/2 - 6 H.P.	STD.	STD.	STD.	\$206
DEDUCT CRANKCASE HEATER		1/2 - 6 H.P.	-\$206	-\$206	-\$206	N/A
LIQUID LINE COMPONENTS - Filter drier, sight-glass and piping	LK-MC1	1/2 - 3 H.P.	STD.	STD.	STD.	518
	LK-MC2	4 - 6 H.P.	STD.	STD.	STD.	601
LIQUID LINE ONLY (Deduct liquid line filter and sight glass)	LL-MC1	1/2 - 3 H.P.	-330	-330	N/A	STD.
	LL-MC2	4 - 6 H.P.	-393	-393	N/A	STD.
Replaceable Core Liquid Filter/Dryer (4 - 6 H.P. only). Must add LK for GE units.	RPL-4	4 - 6 H.P.	486	486	486	486
SUCTION LINE COMPONENTS - Filter and Piping	SK-MC1	1/2 - 3 H.P.	330	330	330	330
	SK-MC2	4 - 6 H.P.	393	393	393	393
REPLACEABLE CORE SUCTION FILTER (4 - 6 H.P. only)	RPS-4	4 - 6 H.P.	470	470	470	470
SUCTION LINE ACCUMULATOR - <b>Must add SK option</b>	ASK-3	1/2 - 2 HP	508†	508†	508†	508†
	ASK-4	2½ - 6 H.P.	785†	785†	785†	785†
OIL SEPARATOR 4-6 HP (Due to space limits, may not be available with ASK opt)	OS-4	4 - 6 H.P.	1,337	1,337	1,337	1,337
OVER-SIZED RECEIVER – Refers to Next Gen CU frame sizes FM1 through FM4. See product catalogue for details. Contact factory for Legacy model oversized receiver prices.	OSR-1	FM1	422	422	Contact Application Engineering for pricing this option	
	OSR-2	FM2	503	503		
	OSR-3	FM3	1,203	1,203		
	OSR-4	FM4	1,235	1,235		
SPRING MOUNT AND DISCHARGE VIBRASORBER - Semi-Hermetics only. - Standard on 4 - 6 H.P. models	SPR-VB	1/2 - 3 H.P. 4 - 6 H.P.	N/A N/A	N/A N/A	253 NLA	253 NLA
LOW AMBIENT FLOODED HEAD PRESSURE CONTROL	FLD-SF	1/2 - 2 H.P.	STD.	N/A	STD.	367
	FLD-F	2½ - 3 H.P.	STD.	N/A	STD.	367
MILD AMBIENT FAN CYCLE	FC-1	WB all, GE 2 fan only	N/A	STD.	N/A	359
ADJUSTABLE LOW PRESSURE CONTROL (For medium temperature units)	ADJ-LP	1/2 - 6 H.P.	153	153	153	153
ADJUSTABLE HI/LOW PRESSURE CONTROL	204464041	1/2 - 6 H.P.	344	344	344	344
PUMPDOWN TOGGLE SWITCH	PDS	1/2 - 6 H.P.	324	324	324	324
AIR DEFROST TIMER <sup>1</sup> (Electronic timer is standard. No additional charge to	TMR <sup>1</sup>	1/2 - 6 H.P.	STD.	STD.	554	554
DEDUCT AIR DEFROST TIMER <sup>1</sup>	DEDUCT TMR <sup>1</sup>	2 1/2 - 6 H.P.	-554	-554	-554	N/A
SUBSTITUTE ED KIT (ED5 THRU ED10) FOR AIR DEFROST TIMER <sup>2</sup>	REPLACE TMR <sup>2</sup>	1 - 6 H.P. <sup>2</sup>	114	114	N/A	N/A
ELEC. DEFR. TIMER WITH BLOCK-OUT RELAY 230/1 <sup>††</sup>	ED-5 THRU ED-10	1/2 - 6 H.P.	STD.*	STD.*	STD.*	668
* 2 EVAP ELEC. DEFR. TIMER WITHOUT BLOCK-OUT RELAY 230/1 <sup>††</sup>	ED-210-A2	1/2 - 6 H.P.	SPECIFY	SPECIFY	SPECIFY	668
ELECTRIC DEFROST TIMER WITH BLOCK-OUT AND CONTACTOR 230/3 <sup>††</sup>	ED-11-B2	1/2 - 6 H.P.	STD.*	STD.*	STD.*	668
DEDUCT STANDARD ELECTRIC DEFROST COMPONENTS		1/2 - 6 H.P.	-668	-668	-668	N/A
** 2 EVAP ELEC. DEFR. TMR WITH ONE 30 AMP DEFR. CONTACTOR 230/3 <sup>††</sup>	ED-211-B2	1/2 - 6 H.P.	SPECIFY	SPECIFY	SPECIFY	668
2 EVAP ELEC. DEFR. TMR WITH ONE 50 AMP DEFR. CONTACTOR 230/3 <sup>††</sup>	ED-213-B2	1/2 - 6 H.P.	742	742	742	1296
2 EVAP. ELEC. DEFR. WITH SEQUENCING & B.O. RELAYS 230/1 <sup>††</sup>	ED-20-A2	4 - 6 H.P.	1,183	1,183	1,183	1,851
2 EVAP. ELEC. DEFR. WITH SEQ. & B.O. W/ CONTACTORS 230/3 <sup>††</sup>	ED-21-B2	4 - 6 H.P.	1,183	1,183	1,183	1,851
HEATED AND INSULATED RECEIVER	HIR	1/2 - 6 H.P.	689	689	689	689
PHASE LOSS MONITOR	PLM	1/2 - 6 H.P.	1,129	1,129	1,129	1,129
CRANKCASE PRESSURE REGULATING VALVE - (LOOSE ONLY)	CPR-1	1/2 - 6 H.P.	752	752	752	752
POLYESTER COATED CONDENSER FINS	PCF	1/2 - 3 H.P. 4 - 6 H.P.	957 1,245	957 1,245	957 1,245	957 1,245
COPPER FINS OR ELECTRO FIN COATED COIL	CONTACT APPLICATION ENGINEERING FOR PRICING					
THRU THE DOOR <b>NON</b> - FUSED DISCONNECT SWITCH	TDNM-1	1/2 - 3 H.P.	485	485	485	485
	TDNM-2	4 - 6 H.P.	643	643	643	643
THRU THE DOOR FUSED DISCONNECT SWITCH	TDFM-1	1/2 - 3 H.P.	N/A	N/A	N/A	N/A
	TDFM-2	4 - 6 H.P.	1,318	1,318	1,318	1,318
EXTERNAL FUSED DISCONNECT (Mounted)	EFDM-1	1/2 - 3 H.P.	545	545	545	545
	EFDM-2	4 - 6 H.P.	1,003	1,003	1,003	1,003

**FIELD INSTALLED OPTIONS**

OPTIONS AND ACCESSORIES	OPTION NUMBER	H.P. RANGE	WF MODELS	WB MODELS	GL MODELS	GE MODELS
EXTERNAL FUSED DISCONNECT (LOOSE)	EFDL-2	4 - 6 H.P.	\$902	\$902	\$902	\$902
TWO TIERED STACKING RACK	11639400	1/2 - 3HP	9,925	9,925	C/F	C/F
	11639600	4 - 6 H.P.	9,925	9,925	C/F	C/F
SNOW / HAIL GUARDS (SHIPPED LOOSE)	SG-A	Config. A, FM1	370	370	370	370
	SG-B	Config. B, FM2	407	407	407	407
	SG-C	Config. C, FM3	441	441	441	441
	SG-D	Config. D, FM4	541	541	541	541

Negative numbers represent a price to be deducted from base price if a standard feature is removed.

<sup>1</sup> AIR DEFROST TIMER IS STANDARD ON 2-1/2 - 6 HP HIGH/MEDIUM TEMP **GL** MODELS AND STANDARD FOR ALL **WF** AND **WB** MED. TEMP. MODELS

<sup>2</sup> SUBSTITUTE ED KIT (ED5 THRU ED10) FOR AIR DEFROST TIMER. VALID FOR NEXT-GEN EXTENDED RANGE G-SERIES ONLY. APPLIES TO PRE-ASSEMBLY CODES L AND LT. SEE NOMENCLATURE ON PAGE 19.

\*ELECTRIC DEFROST PROVISIONS (ED KIT) FOR ONE EVAP IS A STANDARD FEATURE ON LOW TEMPERATURE UNITS (ED Kits are optional for GE models).

†† REFER TO THE APPROPRIATE EVAPORATOR PRODUCT BULLETIN TO IDENTIFY THE CORRECT E.D. KIT FOR YOUR REQUIREMENT.

NOTE: NOT ALL E.D. KITS FIT INTO ALL CONTROL PANELS. CONTACT APPLICATIONS ENGINEERING WITH QUESTIONS.

† MUST ADD SK OPTION TO ADD A SUCTION LINE ACCUMULATOR IF SK IS NOT ALREADY INCLUDED (See G-Series publication for details).

# NEXT-GEN II AIR COOLED CONDENSING UNITS

## 3 H.P. THRU 22 H.P.

### Standard Features (all models):

- Copeland Discus™, Copeland Scroll™ or Bitzer Semi-Hermetic Compressor
- All weather G90 galvanized steel painted enclosure
- Removable side panels for ease of service
- Generously sized high efficiency condenser, with enhanced copper tubes/and aluminum fins
- Liquid line kit with sealed filter/drier and sight glass with moisture indicator
- Easy access base mounted service valves placed external to cabinet
- Dual pressure (auto reset) controls with flexible Refflex® hoses
- Vertical receiver with isolation valves
- Refrigerant pressure relief valve (Larger models in FD2 and FD3 cabinets)
- Integral liquid subcooling circuit
- Suction line piping (filter optional)
- Heavy duty three phase condenser fan motor(s)
- Crankcase heater
- Control circuit fuses
- Pump down toggle switch
- Large electrical panel with hinged door
- 208-230V control voltage
- Color coded point-to-point wiring
- Fan cycling on WB models
- Liquid injection / Demand Cooling™ for low temp compressors

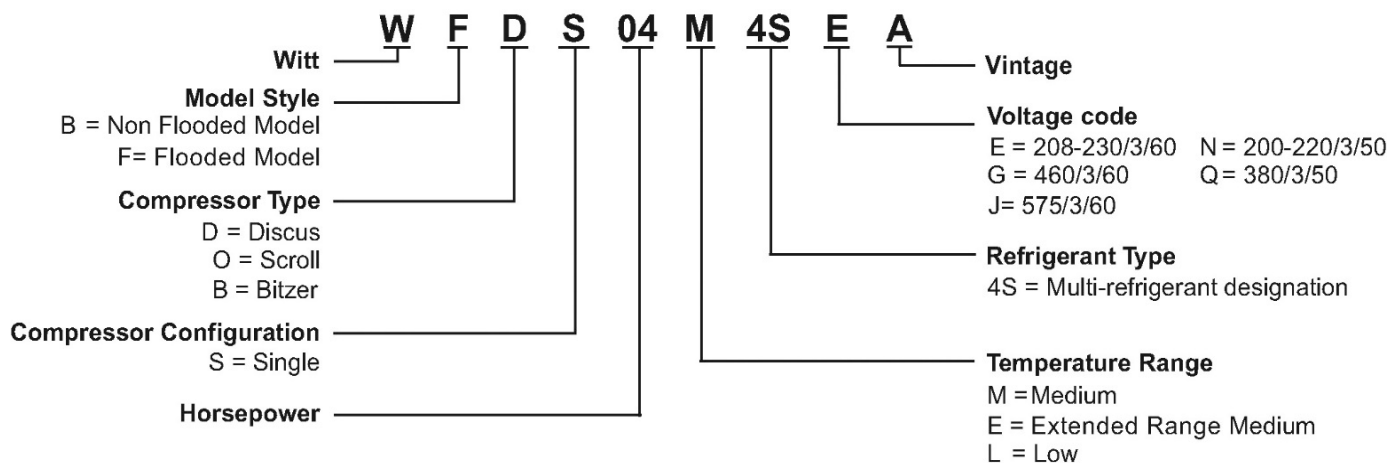


Unit is shown with optional components mounted

**WF models also include a Flooded Head Pressure Control Valve (70°F) as a standard feature**

### Optional Features (all models):

- Electronic air defrost timer
- Electric defrost kits
- Mechanical timer in lieu of electronic timer
- 50 Hz timer and/or defrost kit
- Current sensing relay
- Thru the door Non-fused disconnect
- Suction line filter (sealed)
- Suction accumulator
- Oil separator
- Replaceable core liquid filter with bypass
- Replaceable core suction filter with bypass
- External fused or non-fused disconnect - loose or mounted
- Heated and insulated receiver (Temp controlled with low pressure bypass timer)
- Refrigerant pressure relief valve (for models in FD1 cabinet).
- Oversized receiver
- Insulated receiver
- Hail / Snow Guard - shipped loose (only)
- 316 Grade stainless steel housing
- Crankcase pressure regulator



Temp Range	Compressor (Discus™)	H.P.	Model Number	WF		VOLTAGE	WB		4 Year Compressor Protection Plan	Approx. Ship Wt. (LBS)
				Flooded Unit	List Price		Non Flooded	List Price		
Medium Temp Discus	2DC3R53K	04	WFDS04M4SEA	\$21,185	208/230/3/60	WBDS04M4SEA	\$20,204	\$454 NET	825	
			WFDS04M4SGA	22,504	460/3/60	WBDS04M4SGA	21,522			
			WFDS04M4SJA	22,955	575/3/60	WBDS04M4SJA	21,974			
	2DD3R63K	05	WFDS05M4SEA	21,567	208/230/3/60	WBDS05M4SEA	20,585	454 NET	850	
			WFDS05M4SGA	22,832	460/3/60	WBDS05M4SGA	21,850			
			WFDS05M4SJA	23,406	575/3/60	WBDS05M4SJA	22,424			
	2DL3R78K	06	WFDS06M4SEA	26,786	208/230/3/60	WBDS06M4SEA	25,804	550 NET	1,075	
			WFDS06M4SGA	28,650	460/3/60	WBDS06M4SGA	27,669			
			WFDS06M4SJA	29,220	575/3/60	WBDS06M4SJA	28,239			
	2DA3R89K	07	WFDS07M4SEA	27,354	208/230/3/60	WBDS07M4SEA	26,372	558 NET	1,100	
			WFDS07M4SGA	29,027	460/3/60	WBDS07M4SGA	28,045			
			WFDS07M4SJA	29,598	575/3/60	WBDS07M4SJA	28,616			
	3DA3R10M	08	WFDS08M4SEA	30,677	208/230/3/60	WBDS08M4SEA	29,696	558 NET	1,130	
			WFDS08M4SGA	32,515	460/3/60	WBDS08M4SGA	31,533			
			WFDS08M4SJA	33,178	575/3/60	WBDS08M4SJA	32,196			
	3DB3R12M	10	WFDS10M4SEA	32,896	208/230/3/60	WBDS10M4SEA	31,914	721 NET	1,330	
			WFDS10M4SGA	34,599	460/3/60	WBDS10M4SGA	33,617			
			WFDS10M4SJA	35,237	575/3/60	WBDS10M4SJA	34,255			
	3DF3R15M	12	WFDS12M4SEA	35,635	208/230/3/60	WBDS12M4SEA	34,653	865 NET	1,330	
			WFDS12M4SGA	37,030	460/3/60	WBDS12M4SGA	36,048			
			WFDS12M4SJA	N/A	575/3/60	WBDS12M4SJA	N/A			
	3DS3R17M	15	WFDS15M4SEA	37,127	208/230/3/60	WBDS15M4SEA	36,146	1,116 NET	1,350	
			WFDS15M4SGA	38,381	460/3/60	WBDS15M4SGA	37,399			
			WFDS15M4SJA	39,033	575/3/60	WBDS15M4SJA	38,051			

Voltage codes: E = 208-230/3/60, G = 460V/3/60, J = 575V/3/60

\* See next page for condensing units with low temp Discus™ or Scroll™ compressors.

**NEXT-GEN II AIR COOLED CONDENSING UNITS**  
**3 H.P. THRU 22 H.P. - DISCUS™ and SCROLL™**

Temperature Range	Compressor (Discus™)	H.P.	Model Number	WF Flooded List Price	VOLTAGE	Model Number	WB Non Flooded List Price	4 Year Compressor Protection Plan	Approx. Ship Wt. (LBS)
Low Temp Discus	2DF3F16K	03	WFDS03L4SEA	\$23,541	208/230/3/60	WBDS03L4SEA	\$22,559	\$306 NET	710
			WFDS03L4SGA	24,997	460/3/60	WBDS03L4SGA	24,015		
			WFDS03L4SJA	25,528	575/3/60	WBDS03L4SJA	24,547		
	2DL3F20K	04	WFDS04L4SEA	25,566	208/230/3/60	WBDS04L4SEA	24,584	454 NET	760
			WFDS04L4SGA	27,043	460/3/60	WBDS04L4SGA	26,061		
			WFDS04L4SJA	27,521	575/3/60	WBDS04L4SJA	26,539		
	2DA3F23K	05	WFDS05L4SEA	26,122	208/230/3/60	WBDS05L4SEA	25,140	454 NET	805
			WFDS05L4SGA	27,800	460/3/60	WBDS05L4SGA	26,818		
			WFDS05L4SJA	28,301	575/3/60	WBDS05L4SJA	27,319		
	3DA3F28K	06	WFDS06L4SEA	28,257	208/230/3/60	WBDS06L4SEA	27,276	550 NET	870
			WFDS06L4SGA	29,947	460/3/60	WBDS06L4SGA	28,966		
			WFDS06L4SJA	30,620	575/3/60	WBDS06L4SJA	29,638		
	3DB3F33K	08	WFDS08L4SEA	31,332	208/230/3/60	WBDS08L4SEA	30,350	558 NET	1,130
			WFDS08L4SGA	32,696	460/3/60	WBDS08L4SGA	31,714		
			WFDS08L4SJA	33,730	575/3/60	WBDS08L4SJA	32,748		
	3DF3F40K	09	WFDS09L4SEA	34,762	208/230/3/60	WBDS09L4SEA	33,781	721 NET	1,275
			WFDS09L4SGA	36,668	460/3/60	WBDS09L4SGA	35,686		
			WFDS09L4SJA	37,344	575/3/60	WBDS09L4SJA	36,362		
	3DS3F46K	10	WFDS10L4SEA	37,521	208/230/3/60	WBDS10L4SEA	36,539	821 NET	1,275
			WFDS10L4SGA	38,126	460/3/60	WBDS10L4SGA	37,144		
			WFDS10L4SJA	39,018	575/3/60	WBDS10L4SJA	38,036		
	4DBNF54K	12	WFDS12L4SEA	38,216	208/230/3/60	WBDS12L4SEA	37,235	865 NET	1,290
			WFDS12L4SGA	39,031	460/3/60	WBDS12L4SGA	38,049		
			WFDS12L4SJA	39,765	575/3/60	WBDS12L4SJA	38,783		
4DHNF63K	15	WFDS15L4SEA	40,037	208/230/3/60	WBDS15L4SEA	39,059	1,116 NET	1,310	
		WFDS15L4SGA	40,634	460/3/60	WBDS15L4SGA	39,653			
		WFDS15L4SJA	41,435	575/3/60	WBDS15L4SJA	40,453			
4DJNF76K	22	WFDS22L4SEA	45,040	208/230/3/60	WBDS22L4SEA	44,058	1,382 NET	1,420	
		WFDS22L4SGA	45,752	460/3/60	WBDS22L4SGA	44,770			
		WFDS22L4SJA	46,852	575/3/60	WBDS22L4SJA	45,871			

Temperature Range	Compressor (Scroll™)	H.P.	Model Number	WF Flooded LIST PRICE	VOLTAGE	Model Number	WB Non Flooded List Price	4 Year Compressor Protection Plan	Approx. Ship Wt. (LBS)
Medium Temp Scroll	ZS29KAE	04	WFOS04E4SEA	\$19,470	208/230/3/60	WBOS04E4SEA	\$18,489	\$264 NET	700
			WFOS04E4SGA	21,008	460/3/60	WBOS04E4SGA	20,027		
			WFOS04E4SJA	21,463	575/3/60	WBOS04E4SJA	20,481		
	ZS33KAE	05	WFOS05E4SEA	19,817	208/230/3/60	WBOS05E4SEA	18,835	264 NET	710
			WFOS05E4SGA	21,328	460/3/60	WBOS05E4SGA	20,346		
			WFOS05E4SJA	21,844	575/3/60	WBOS05E4SJA	20,862		
	ZS38K4E	06	WFOS06E4SEA	22,582	208/230/3/60	WBOS06E4SEA	21,600	271 NET	710
			WFOS06E4SGA	24,393	460/3/60	WBOS06E4SGA	23,411		
			WFOS06E4SJA	24,906	575/3/60	WBOS06E4SJA	23,925		
	ZS45K4E	07	WFOS07E4SEA	23,022	208/230/3/60	WBOS07E4SEA	22,040	448 NET	870
			WFOS07E4SGA	24,737	460/3/60	WBOS07E4SGA	23,755		
			WFOS07E4SJA	25,251	575/3/60	WBOS07E4SJA	24,269		
	ZB58K5E	08	WFOS08E4SEA	23,477	208/230/3/60	WBOS08E4SEA	22,496	448 NET	915
			WFOS08E4SGA	25,212	460/3/60	WBOS08E4SGA	24,230		
			WFOS08E4SJA	25,760	575/3/60	WBOS08E4SJA	24,778		
	ZB66K5E	09	WFOS09E4SEA	24,778	208/230/3/60	WBOS09E4SEA	23,797	485 NET	980
			WFOS09E4SGA	26,329	460/3/60	WBOS09E4SGA	25,347		
			WFOS09E4SJA	26,852	575/3/60	WBOS09E4SJA	25,870		
	ZB76K5E	10	WFOS10E4SEA	28,968	208/230/3/60	WBOS10E4SEA	27,986	485 NET	1,085
			WFOS10E4SGA	30,069	460/3/60	WBOS10E4SGA	29,087		
			WFOS10E4SJA	30,687	575/3/60	WBOS10E4SJA	29,705		
	ZB95K5E	13	WFOS13E4SEA	32,082	208/230/3/60	WBOS13E4SEA	31,101	560 NET	1,105
			WFOS13E4SGA	32,156	460/3/60	WBOS13E4SGA	31,174		
			WFOS13E4SJA	33,207	575/3/60	WBOS13E4SJA	32,225		
ZB114K5E	15	WFOS15E4SEA	35,821	208/230/3/60	WBOS15E4SEA	34,839	571 NET	1,200	
		WFOS15E4SGA	37,457	460/3/60	WBOS15E4SGA	36,475			
		WFOS15E4SJA	38,188	575/3/60	WBOS15E4SJA	37,206			

Low Temp Scroll	ZF25K4E	08	WFOS08L4SEA	\$22,186	208/230/3/60	WBOS08L4SEA	\$21,204	\$448 NET	850
			WFOS08L4SGA	23,498	460/3/60	WBOS08L4SGA	22,516		
			WFOS08L4SJA	23,958	575/3/60	WBOS08L4SJA	22,976		
	ZF34K5E	10	WFOS10L4SEA	27,538	208/230/3/60	WBOS10L4SEA	26,556	485 NET	1,025
			WFOS10L4SGA	29,158	460/3/60	WBOS10L4SGA	28,176		
			WFOS10L4SJA	29,756	575/3/60	WBOS10L4SJA	28,774		
	ZF41K5E	13	WFOS13L4SEA	31,125	208/230/3/60	WBOS13L4SEA	30,143	560 NET	1,050
			WFOS13L4SGA	31,658	460/3/60	WBOS13L4SGA	30,676		
			WFOS13L4SJA	32,520	575/3/60	WBOS13L4SJA	31,538		
	ZF49K5E	15	WFOS15L4SEA	32,159	208/230/3/60	WBOS15L4SEA	31,178	571 NET	1,105
			WFOS15L4SGA	32,885	460/3/60	WBOS15L4SGA	31,904		
			WFOS15L4SJA	33,542	575/3/60	WBOS15L4SJA	32,560		

Voltage codes: E = 208-230/3/60, G = 460V/3/60, J = 575V/3/60

\* See next Page for Condensing units with Bitzer Compressors

**NEXT-GEN II AIR COOLED CONDENSING UNITS**  
**3 H.P. THRU 22 H.P. - BITZER**

Temperature Range	Compressor (Bitzer)	H.P.	Model Number	WF Flooded List Price	VOLTAGE	Model Number	WB Non Flooded List Price	4 Year Compressor Protection Plan	Approx. Ship Wt. (LBS)
Medium Temp Bitzer	2DES-3	03	WFBS03E4SEA	\$23,247	208/230/3/60	WBBS03E4SEA	\$22,265	\$454 NET	800
			WFBS03E4SGA	24,771	460/3/60	WBBS03E4SGA	23,789		
			WFBS03E4SJA	25,001	575/3/60	WBBS03E4SJA	24,019		
	2CES-4	04	WFBS04E4SEA	23,613	208/230/3/60	WBBS04E4SEA	22,631	454 NET	825
			WFBS04E4SGA	25,083	460/3/60	WBBS04E4SGA	24,101		
			WFBS04E4SJA	25,439	575/3/60	WBBS04E4SJA	24,457		
	4FES-5	05	WFBS05E4SEA	23,994	208/230/3/60	WBBS05E4SEA	23,013	454 NET	850
			WFBS05E4SGA	25,411	460/3/60	WBBS05E4SGA	24,429		
			WFBS05E4SJA	25,879	575/3/60	WBBS05E4SJA	24,897		
	4EES-6	06	WFBS06E4SEA	26,300	208/230/3/60	WBBS06E4SEA	25,318	550 NET	1,075
			WFBS06E4SGA	27,293	460/3/60	WBBS06E4SGA	26,311		
			WFBS06E4SJA	29,056	575/3/60	WBBS06E4SJA	28,074		
	4DES-7	07	WFBS07E4SEA	28,573	208/230/3/60	WBBS07E4SEA	27,592	558 NET	1,100
			WFBS07E4SGA	29,143	460/3/60	WBBS07E4SGA	28,162		
			WFBS07E4SJA	32,201	575/3/60	WBBS07E4SJA	31,219		
	4CES-9	08	WFBS08E4SEA	32,201	208/230/3/60	WBBS08E4SEA	31,219	558 NET	1,130
			WFBS08E4SGA	33,811	460/3/60	WBBS08E4SGA	32,829		
			WFBS08E4SJA	34,538	575/3/60	WBBS08E4SJA	33,556		
	4TES-12	10	WFBS10E4SEA	32,589	208/230/3/60	WBBS10E4SEA	31,607	721 NET	1,330
			WFBS10E4SGA	34,514	460/3/60	WBBS10E4SGA	33,532		
			WFBS10E4SJA	35,151	575/3/60	WBBS10E4SJA	34,170		
	4PES-15	12	WFBS12E4SEA	33,974	208/230/3/60	WBBS12E4SEA	32,992	865 NET	1,330
			WFBS12E4SGA	35,745	460/3/60	WBBS12E4SGA	34,764		
			WFBS12E4SJA	36,383	575/3/60	WBBS12E4SJA	35,401		
4NES-20	15	WFBS15E4SEA	34,747	208/230/3/60	WBBS15E4SEA	33,765	1,116 NET	1,350	
		WFBS15E4SGA	36,447	460/3/60	WBBS15E4SGA	35,466			
		WFBS15E4SJA	37,081	575/3/60	WBBS15E4SJA	36,099			

Low Temp Bitzer	4FES-3	03	WFBS03L4SEA	\$23,135	208/230/3/60	WBBS03L4SEA	\$22,154	\$281 NET	710
			WFBS03L4SGA	23,943	460/3/60	WBBS03L4SGA	22,962		
			WFBS03L4SJA	24,460	575/3/60	WBBS03L4SJA	23,478		
	4EES-4	04	WFBS04L4SEA	25,176	208/230/3/60	WBBS04L4SEA	24,194	281 NET	760
			WFBS04L4SGA	25,984	460/3/60	WBBS04L4SGA	25,002		
			WFBS04L4SJA	26,501	575/3/60	WBBS04L4SJA	25,519		
	4DES-5	05	WFBS05L4SEA	26,326	208/230/3/60	WBBS05L4SEA	25,344	312 NET	805
			WFBS05L4SGA	27,218	460/3/60	WBBS05L4SGA	26,237		
			WFBS05L4SJA	27,718	575/3/60	WBBS05L4SJA	26,736		
	4CES-6	06	WFBS06L4SEA	31,041	208/230/3/60	WBBS06L4SEA	30,060	324 NET	870
			WFBS06L4SGA	32,198	460/3/60	WBBS06L4SGA	31,216		
			WFBS06L4SJA	32,539	575/3/60	WBBS06L4SJA	31,557		
	4TES-9	08	WFBS08L4SEA	33,027	208/230/3/60	WBBS08L4SEA	32,045	324 NET	1,130
			WFBS08L4SGA	34,138	460/3/60	WBBS08L4SGA	33,157		
			WFBS08L4SJA	34,582	575/3/60	WBBS08L4SJA	33,600		
	4PES-12	09	WFBS09L4SEA	35,183	208/230/3/60	WBBS09L4SEA	34,201	324 NET	1,275
			WFBS09L4SGA	36,232	460/3/60	WBBS09L4SGA	35,250		
			WFBS09L4SJA	37,217	575/3/60	WBBS09L4SJA	36,235		
	4NES-14	10	WFBS10L4SEA	37,370	208/230/3/60	WBBS10L4SEA	36,388	324 NET	1,275
			WFBS10L4SGA	38,419	460/3/60	WBBS10L4SGA	37,437		
			WFBS10L4SJA	39,404	575/3/60	WBBS10L4SJA	38,422		
	4JE-15	12	WFBS12L4SEA	40,083	208/230/3/60	WBBS12L4SEA	39,101	439 NET	1,290
			WFBS12L4SGA	41,132	460/3/60	WBBS12L4SGA	40,151		
			WFBS12L4SJA	42,117	575/3/60	WBBS12L4SJA	41,136		
4HE-18	15	WFBS15L4SEA	42,859	208/230/3/60	WBBS15L4SEA	41,877	545 NET	1,310	
		WFBS15L4SGA	43,905	460/3/60	WBBS15L4SGA	42,923			
		WFBS15L4SJA	44,893	575/3/60	WBBS15L4SJA	43,911			
4GE-23	22	WFBS22L4SEA	44,325	208/230/3/60	WBBS22L4SEA	40,826	620 NET	1,420	
		WFBS22L4SGA	45,434	460/3/60	WBBS22L4SGA	44,452			
		WFBS22L4SJA	46,422	575/3/60	WBBS22L4SJA	45,440			

Voltage codes: E = 208-230/3/60, G = 460V/3/60, J = 575V/3/60

**3-22 H.P. CONDENSING UNITS - FACTORY INSTALLED DEFROST KITS**

1 EVAPORATOR PER CU	Max Defrost Load	List Price
DMA15	15	\$1,273
DMA20	20	
DMA24	24	
DMA30	30	
DMA35	35	1,421
DMA40	40	
DMA48	48	
DMB60	60	2,773
DMB96	96	

2 EVAPS PER CU	Max Defrost Load	List Price
DMB35	35	\$1,928
DMB40	40	
DMB48	48	
DMB60	60	
DMB96	96	2,773

3 EVAPS PER CU	Max Defrost Load	List Price
DMC35	35	\$2,900
DMC40	40	
DMC48	48	
DMC60	60	3,586
DMC96	96	

<b>AIR DEFROST TIMER:</b>	\$554
---------------------------	-------

**Note:** All electric defrost kits include 1 fan contactor and are suitable for single or three phase loads. Defrost amp values are the maximum load for a kit. Smaller loads may be attached.



## 3 THRU 22 H.P. CONDENSING UNITS - FACTORY INSTALLED OPTIONS

All options are factory mounted unless otherwise noted.	OPTION NUMBER	H.P. RANGE	LIST PRICE†
<b>Electrical options</b>			
THROUGH THE DOOR NON-FUSED DISCONNECT SWITCH	TDNM-3	3-10	\$1,552
	TDNM-4	12-22	1,735
EXTERNAL FUSED DISCONNECT - Loose or Mounted	EFDM-2 (230V)	3 - 6	1,003
	EFDM-3 (230V)	7 - 10	1,194
	EFDM-4 (230V)	12 - 22	2,546
	EFDM-2 (460V)	3 - 6	1,179
	EFDM-3 (460V)	7 - 10	2,122
	EFDM-4 (460V)	12 - 22	3,501
MAIN CIRCUIT BREAKER	BKR-2	3 - 6	1,433
	BKR-3	7 - 10	1,804
	BKR-4	12 - 22	2,271
†PHASE LOSS MONITOR	PLM	ALL	1,129
ANTI SHORT CYCLE TIMER	ASC	ALL	667
CURRENT SENSING RELAY (Run proof)	CSR	All	739
COMPRESSOR UNLOADERS (Suction pressure control. Medium Temp reciprocating compressors only. 1 Step for 3D and larger compressors.)	UNL-1	When Available	2,075

See Page 24 For Defrost Component Prices

<b>Mechanical options</b>			
SUCTION LINE FILTER (Sealed)	SK-5	3 - 8	\$486
	SK-6	9 - 10	825
	SK-7	12 - 22	1,316
REPLACEABLE CORE SUCTION FILTER (With Bypass)	RSK-5	3 - 8	1,094
	RSK-6	9 - 10	1,400
	RSK-7	12 - 22	1,974
REPLACEABLE CORE LIQUID FILTER (With Bypass)	RLK-5	3 - 8	1,148
	RLK-6	9 - 10	1,432
	RLK-7	12 - 22	2,073
SUCTION LINE ACCUMULATOR (Must add Suction line filter option.)	ASK-4	3 - 8	785
	ASK-5	9 - 10	1,154
	ASK-6	12 - 22	2,411
OIL SEPARATOR	OS-1	3 - 6	1,337
	OS-2	7 - 10	1,424
	OS-3	12 - 22	1,674
OVERSIZED RECEIVERS	OSR-1	1 FAN	1,180
	OSR-2	2 FAN	661
	OSR-3	2 FAN TALL	668
PRESSURE RELIEF VALVE (For models built on FD1 cabinet base. Requires Oversized Receiver OSR-1 option)	RV	FD1 Cabinet	299
HEATED AND INSULATED RECEIVER (Temperature controlled with low pressure bypass timer)	HIR	ALL	776
CRANKCASE PRESSURE REGULATOR (Do not use with MOP style TXV's. Must provide refrigerant type, holding temperature, suction temperature, and maximum design capacity.)	CPR VALVE	3 - 5	1,539
		6 - 9	1,707
		10 - 15	3,179
		22	4,976
LIQUID INJECTION / DEMAND COOLING™ PRICE <b>DEDUCT</b> - to optionally remove the feature from low temperature models (not available for Scroll™ compressors)	LNJ-deduct	ALL	2,518
HAIL / SNOW GUARDS (Shipped loose to prevent shipping damage. Requires field installation)	SG-E	1 FAN	933
	SG-F	2 FAN	1,276
	SG-G	2 FAN TALL	1,429
2 UNIT STACKING RACK (Shipped empty. Condensing units must be field installed.)	SR-2	1 or 2 FAN	C/A
3 UNIT STACKING RACK (Shipped empty. Condensing units must be field installed.)	SR-3	1 or 2 FAN	C/A

C/A = Contact Application Engineering for a special quote on options not found in the price list.

† Phase Loss monitor is a standard feature for K5 Scroll Series CoreSense modules. Extended Range models \*OS8E4S thru OS15E4s and Low Temp OS10L4L thru \*OS15L4S use K5 Series Scroll compressors.

# QV-SERIES AIR COOLED CONDENSING UNITS

15 THRU 100 H.P.



## Standard Features (all models)

- Copeland Discus compressor
- Available in single, dual or parallel compressor configurations
- Prepaint gray exterior/ G60 galvanized steel outdoor cabinet construction
- Heavy gauge G90 galvanized steel frame
- Award-winning floating coil design with generously sized condensers for energy savings
- Integral subcooling circuit boosts energy efficiency
- Mechanically formed pre-bent tubing reduces potential leaks
- Compatible with multiple refrigerants
- Optimized for high glide refrigerants
- Separate power and control electrical panels
- Swept wing fan/Venturi improves airflow and sound
- Hinged and removable access panels
- Flip top hinged Venturi panels for easy servicing
- Floored compressor cabinet with removable compressor tray
- Color-coded control wiring diagram with diagnostic terminals/ color-coded high and low pressure hoses
- LED control and compressor panel lighting
- 110V service convenience outlet
- Service gauge hooks
- 3 Phase condenser fan motors
- Electronic oil failure control
- Horizontal receiver
- Receiver isolation valves
- Refrigerant relief valve
- Replaceable core liquid line filter
- Suction line and discharge line vibrasorbbers
- Liquid line isolation valve with sight glass
- Single point alarm with liquid line solenoid lockout
- Control circuit and condenser fan fusing
- Condenser fan contactors
- UL and cUL listed for outdoor use

**Flooded (WF) Models include an adjustable head pressure control valve**

**Non-Flooded (WB) Models include electronic fan cycling control and a minimum charge monitor**

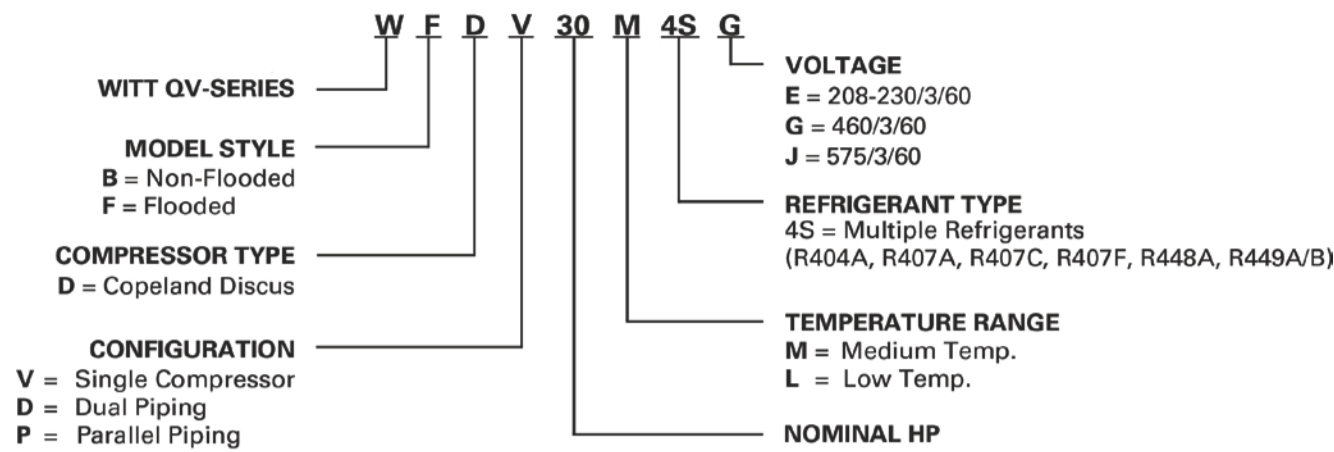
**Parallel Compressor Models (WF\*P/ WB\*P) include an oil management system**

## Options

- EC fan motors for variable speed
- Air defrost timer or electric defrost components
- Electric defrost kits available for up to 4 evaporators
- Oversized receiver
- ElectroFin<sup>®</sup>, polyester coated fins or Bronz-Glow coil coating
- Liquid injection on low temp. compressors
- Heated and insulated receiver
- Oil separator with check valve
- Fan cycling control (WF models)
- Suction accumulator
- Liquid filter isolation valve
- Suction isolation valve
- Suction filter isolation valve
- Replaceable core suction filter
- Crankcase pressure regulator
- Hot gas bypass (Discharge tee, regulator or ball valve)
- Heat reclaim (Sporlan 3 way valve)
- Thru-the-door non-fused disconnect switch
- Thru-the-door fused disconnect (200 amp Max)
- Thru-the-door breaker disconnect (200 amp Max)
- Phase loss monitor
- Anti short cycle timer

# QV-SERIES AIR COOLED CONDENSING UNITS

## MODEL NUMBER NOMENCLATURE



NOMINAL COMPRESSOR HP		
SINGLE COMP.	DUAL PIPING	PARALLEL PIPING
15 HP	30 (2) 15 HP	-
20 HP	40 (2) 20 HP	-
22 HP	44 (2) 22 HP	44 (2) 22 HP
25 HP	50 (2) 25 HP	50 (2) 25 HP
27 HP	54 (2) 27 HP	54 (2) 27 HP
30 HP	60 (2) 30 HP	60 (2) 30 HP
35 HP	70 (2) 35 HP	70 (2) 35 HP
40 HP	80 (2) 40 HP	80 (2) 40 HP
50 HP	100 (2) 50 HP	100 (2) 50 HP

### QV-SERIES • SINGLE DISCUS COMPRESSOR MODELS

TEMP. RANGE	NOM H.P.	MODEL NUMBER	COMPRESSOR NUMBER (1 Compressor)	FLOODED MODELS (WF)			NON-FLOODED MODELS (WB)			4 Year Compressor Protection Plan (NET PRICE)
				208-230V/3	460V/3	575V/3	208-230V/3	460V/3	575V/3	
Medium Temp.	15	W*DV015M4S	3DS3R17ME	\$41,933	\$42,619	\$43,647	\$41,679	\$42,388	\$43,161	\$1,116
	20	W*DV020M4S	4DBNR20ME	46,411	47,065	47,895	45,424	46,353	47,392	1,382
	25	W*DV025M4S	4DHNR22ME	55,420	56,028	57,181	54,294	55,233	56,265	1,544
	30	W*DV030M4S	4DJNR28ME	64,777	65,483	66,900	61,268	62,028	63,094	1,656
	35	W*DV035M4S	6DHNR35ME	73,363	73,783	75,491	70,656	70,849	72,350	1,744
	40	W*DV040M4S	6DJNR40ME <sup>1</sup>	80,735	81,856	83,188	77,617	78,755	80,419	1,821
Low Temp.	50	W*DV050M4S	6DUNR49ME	N/A	97,721	N/A	N/A	92,805	N/A	2,061
	22	W*DV022L4S	4DJNF76KE	52,133	53,230	54,332	52,125	52,784	53,942	1,382
	27	W*DV027L4S	6DHNF93KE	60,346	60,828	61,883	59,178	60,245	60,971	1,544
	30	W*DV030L4S	6DJNF11ME	66,672	67,287	68,661	65,298	66,390	67,835	1,656
40	W*DV040L4S	6DUNF13ME	N/A	83,782	N/A	N/A	82,413	N/A	1,993	

### QV-SERIES • DUAL DISCUS COMPRESSOR MODELS

TEMP. RANGE	NOM H.P.	MODEL NUMBER	COMPRESSOR NUMBER (2 Compressor)	FLOODED MODELS (WF)			NON-FLOODED MODELS (WB)			4 Year Compressor Protection Plan (NET PRICE)
				208-230V/3	460V/3	575V/3	208-230V/3	460V/3	575V/3	
Medium Temp.	30	W*DD030M4S	3DS3R17ME	\$83,866	\$85,238	\$87,294	\$83,358	\$84,776	\$86,322	\$2,232
	40	W*DD040M4S	4DBNR20ME	92,822	94,130	95,790	90,848	92,706	94,784	2,764
	50	W*DD050M4S	4DHNR22ME	110,840	112,056	114,362	108,588	110,466	112,530	3,088
	60	W*DD060M4S	4DJNR28ME	129,554	130,966	133,800	122,536	124,056	126,188	3,312
	70	W*DD070M4S	6DHNR35ME	146,726	147,566	150,982	141,312	141,698	144,700	3,488
	80	W*DD080M4S	6DJNR40ME <sup>1</sup>	161,470	163,712	166,376	155,234	157,510	160,838	3,642
Low Temp.	100	W*DD100M4S	6DUNR49ME	N/A	195,442	N/A	N/A	185,610	N/A	4,122
	44	W*DD044L4S	4DJNF76KE	104,266	106,460	108,664	104,250	105,568	107,884	2,764
	54	W*DD054L4S	6DHNF93KE	120,692	121,656	123,766	118,356	120,490	121,942	3,088
	60	W*DD060L4S	6DJNF11ME	133,344	134,574	137,322	130,596	132,780	135,670	3,312
80	W*DD080L4S	6DUNF13ME	N/A	167,564	N/A	N/A	164,826	N/A	3,986	

### QV-SERIES • PARALLEL PIPED DISCUS COMPRESSOR MODELS

TEMP. RANGE	NOM H.P.	MODEL NUMBER	COMPRESSOR NUMBER (2 Compressor)	FLOODED MODELS (WF)			NON-FLOODED MODELS (WB)			4 Year Compressor Protection Plan (NET PRICE)
				208-230V/3	460V/3	575V/3	208-230V/3	460V/3	575V/3	
Medium Temp.	50	W*DP050M4S	4DHNR22ME	\$124,549	\$125,615	\$128,127	\$121,966	\$123,807	\$126,041	\$3,088
	60	W*DP060M4S	4DJNR28ME	142,103	143,395	146,263	133,964	135,407	137,440	3,312
	70	W*DP070M4S	6DHNR35ME	159,773	160,491	163,701	153,652	153,845	156,594	3,488
	80	W*DP080M4S	6DJNR40ME <sup>1</sup>	173,297	175,997	179,517	166,335	169,067	173,335	3,642
	100	W*DP100M4S	6DUNR49ME	N/A	216,941	N/A	N/A	205,449	N/A	4,122
Low Temp.	44	W*DP044L4S	4DJNF76KE	118,274	120,446	122,855	118,256	119,429	121,967	2,764
	54	W*DP054L4S	6DHNF93KE	133,799	134,594	137,286	131,158	133,292	135,233	3,088
	60	W*DP060L4S	6DJNF11ME	145,618	146,711	149,645	142,554	144,729	147,823	3,312
	80	W*DP080L4S	6DUNF13ME	N/A	185,996	N/A	N/A	182,906	N/A	3,986

<sup>1</sup>6DJ3R40ME on 575/3

# QV-SERIES AIR COOLED CONDENSING UNITS • OPTIONS AND ACCESSORIES

## QV-SERIES • SINGLE COMPRESSOR MODEL OPTIONS

OPTION FAMILY	OPTION NAME	OPTION AVAILABLE ON MODELS:	LIST PRICE
<b>Compressor Options</b>	Compressor Unloading with Pressure Control for 1 Cycle Bank	020M-30M, 50M; 022L - 040L	\$2,079
	Compressor Unloading with Pressure Control for 2 Cycle Bank	035M & 045M	2,993
	Head Cooling Fan	All Models	1,721
	Liquid Injection	022L - 040L	3,779
<b>Electrical and Control Panel Options</b>	Air Defrost Time Clock	All Medium Temperature Models	554
	Anti-Short Cycle Timer	All Models	480
	Condenser Fan Breaker	015M -030M; 022L - 040L	725
	Condenser Fan Breaker	035M -050M	1,100
	Control Circuit Breaker	All Models	236
	EC Fan Motors with Electronic Variable Speed Control	015M -030M; 022L - 040L	Call Factory
	EC Fan Motors with Electronic Variable Speed Control	035M -050M	Call Factory
	Thru-the-door Fused Disconnect	Models with MOPD < 61A	1,464
	Thru-the-door Fused Disconnect	Models with 61A < MOPD < 101A	2,167
	Thru-the-door Fused Disconnect	Models with 101A < MOPD < 201A	3,713
	Thru-the-door Main Breaker	Models with MOPD ≤ 100A	1,871
	Thru-the-door Main Breaker	Models with 101A < MOPD < 201A	3,036
	Thru-the-door Non-Fused Disconnect	Models with MCA < 59A	1,318
	Thru-the-door Non-Fused Disconnect	Models with 59A < MCA > 99A	1,913
	Thru-the-door Non-Fused Disconnect	Models with 99A < MCA < 199A	3,164
	Phase-Loss Monitor - 250A	230V & 460V	925
	Phase-Loss Monitor - ICM450	230V	1,350
Phase-Loss Monitor - ICM450	460V	960	
<b>Refrigeration Options</b>	Crankcase Pressure Regulator Valves	015M	3,250
	Crankcase Pressure Regulator Valves	020M - 040M; 022L - 030L	4,093
	Crankcase Pressure Regulator Valves	050M & 040L	8,121
	Fan Cycling - Temperature or Pressure	All Flooded Models; Standard on Non-Flooded Models	1,460
	Heat Reclaim Valve	All Models	3,379
	Heated & Insulated Receiver	All Models	2,569
	Hot Gas Bypass Tee & Ball Valve	All Models	792
	Hot Gas Bypass Tee, Ball Valve & Regulator	All Models	4,592
	Liquid-line Filter Isolation Valve (Single Valve)	All Models	457
	Oil Separator with Check Valve	015 - 030	1,857
	Oil Separator with Check Valve	035 - 050	3,307
	Oil Separator with Check Valve & Oil Return Service Kit	015 - 030	3,486
	Oil Separator with Check Valve & Oil Return Service Kit	035 - 050	4,936
	Oversized Receiver	All Models	1,093
	Receiver Level Gauge	All Models	1,357
	Suction Accumulator - Standard	015	2,450
	Suction Accumulator - Standard	020-050	2,833
	Suction Accumulator - Heat Exchanger	015	3,036
	Suction Accumulator - Heat Exchanger	020-050	4,700
	Suction-line Filter - Replaceable Core	015M	1,069
	Suction-line Filter - Replaceable Core	020M - 040M; 022L - 030L	1,333
	Suction-line Filter - Replaceable Core	050M & 040L	1,385
	Suction-line Filter Isolation Valves	015M	750
	Suction-line Filter Isolation Valves	020M - 040M; 022L - 030L	1,207
	Suction-line Filter Isolation Valves	050M & 040L	2,100
	Suction-line Insulation	All Models	1,329

# QV-SERIES AIR COOLED CONDENSING UNITS • OPTIONS AND ACCESSORIES

## QV-SERIES • DUAL COMPRESSOR MODEL OPTIONS

OPTION FAMILY	OPTION NAME	OPTION AVAILABLE ON MODELS:	LIST PRICE
<b>Compressor Options</b>	Compressor Unloading with Pressure Control for 1 Cycle Bank	D040M - D060M, D100M; D044L - D080L	\$4,158
	Compressor Unloading with Pressure Control for 2 Cycle Bank	D070M & D080M	5,986
	Head Cooling Fan	All Models	3,442
	Liquid Injection	D044L - D080L	7,558
<b>Electrical and Control Panel Options</b>	Air Defrost Time Clock	All Medium Temperature Models	1,108
	Anti-Short Cycle Timer	All Models	960
	Condenser Fan Breaker	D030M -D060M; D044L - D080L	1,450
	Condenser Fan Breaker	D070M -D100M	2,200
	Control Circuit Breaker	All Models	236
	EC Fan Motors with Electronic Variable Speed Control	D030M -D060M; D044L - D080L	Call Factory
	EC Fan Motors with Electronic Variable Speed Control	D070M -D100M	Call Factory
	Fused Disconnect	Models with MOPD < 61A	1,464
	Thru-the-door Fused Disconnect	Models with 61A < MOPD < 101A	2,167
	Thru-the-door Fused Disconnect	Models with 101A < MOPD < 201A	3,713
	Thru-the-door Fused Disconnect	Models with MOPD ≤ 100A	1,871
	Thru-the-door Main Breaker	Models with 101A < MOPD < 201A	3,036
	Thru-the-door Main Breaker	Models with MCA < 59A	1,318
	Thru-the-door Non-Fused Disconnect	Models with 59A < MCA > 99A	1,913
	Thru-the-door Non-Fused Disconnect	Models with 99A < MCA < 199A	3,164
	Thru-the-door Non-Fused Disconnect	230V & 460V	925
Phase-Loss Monitor - ICM450	460V	1,920	
<b>Refrigeration Options</b>	Crankcase Pressure Regulator Valves	D030M	6,500
	Crankcase Pressure Regulator Valves	D040M - D080M; D044L - D060L	8,186
	Crankcase Pressure Regulator Valves	D100M & D080L	16,242
	Fan Cycling - Temperature or Pressure	All Flooded Models; Standard on Non-Flooded Models	2,920
	Heat Reclaim Valve	All Models	6,758
	Heated & Insulated Receiver	All Models	5,138
	Hot Gas Bypass Tee & Ball Valve	All Models	1,584
	Hot Gas Bypass Tee, Ball Valve & Regulator	All Models	9,184
	Liquid-line Filter Isolation Valve (Single Valve per Circuit)	All Models	914
	Oil Separator with Check Valve	D030 - D060	3,714
	Oil Separator with Check Valve	D070 - D100	6,614
	Oil Separator with Check Valve & Oil Return Service Kit	D030 - D060	6,972
	Oil Separator with Check Valve & Oil Return Service Kit	D070 - D100	9,872
	Oversized Receiver	All Models	2,186
	Receiver Level Gauge	All Models	2,714
	Suction Accumulator - Standard	D030	4,900
	Suction Accumulator - Standard	D040-D100	5,666
	Suction Accumulator - Heat Exchanger	D030	6,072
	Suction Accumulator - Heat Exchanger	D040-D100	9,400
	Suction-line Filter - Replaceable Core	D030M	2,138
	Suction-line Filter - Replaceable Core	D040M - D080M; D044L - D060L	2,666
	Suction-line Filter - Replaceable Core	D100M & D080L	2,770
	Suction-line Filter Isolation Valves	D030M	1,500
	Suction-line Filter Isolation Valves	D040M - D080M; D044L - D060L	2,414
	Suction-line Filter Isolation Valves	D100M & D080L	4,200
	Suction-line Insulation	All Models	2,658

# QV-SERIES AIR COOLED CONDENSING UNITS • OPTIONS AND ACCESSORIES

## QV-SERIES • PARALLEL COMPRESSOR MODEL OPTIONS

OPTION FAMILY	OPTION NAME	OPTION AVAILABLE ON MODELS:	LIST PRICE
<b>Compressor Options</b>	Compressor Unloading with Pressure Control for 1 Cycle Bank	P050M - P060M, P100M; P044L - P080L	\$4,158
	Compressor Unloading with Pressure Control for 2 Cycle Bank	P070M & P080M	5,986
	Head Cooling Fan	All Models	3,442
	Liquid Injection	P044L - P080L	7,558
<b>Electrical and Control Panel Options</b>	Air Defrost Time Clock	All Medium Temperature Models	554
	Anti-Short Cycle Timer	All Models	480
	Condenser Fan Breaker	P050M -P060M; P044L - P080L	725
	Condenser Fan Breaker	P070M -P100M	1,100
	Control Circuit Breaker	All Models	236
	EC Fan Motors with Electronic Variable Speed Control	P050M -P060M; P044L - P080L	Call Factory
	EC Fan Motors with Electronic Variable Speed Control	P070M -P100M	Call Factory
	Thru-the-door Fused Disconnect	Models with MOPD < 61A	1,464
	Thru-the-door Fused Disconnect	Models with 61A < MOPD < 101A	2,167
	Thru-the-door Fused Disconnect	Models with 101A < MOPD < 201A	3,713
	Thru-the-door Main Breaker	Models with MOPD ≤ 100A	1,871
	Thru-the-door Main Breaker	Models with 101A < MOPD < 201A	3,036
	Thru-the-door Non-Fused Disconnect	Models with MCA < 59A	1,318
	Thru-the-door Non-Fused Disconnect	Models with 59A < MCA > 99A	1,913
	Thru-the-door Non-Fused Disconnect	Models with 99A < MCA < 199A	3,164
Phase-Loss Monitor - 250A	230V & 460V	925	
Phase-Loss Monitor - ICM450	460V	1,920	
<b>Refrigeration Options</b>	Crankcase Pressure Regulator Valves	P050M-P60M	8,121
	Crankcase Pressure Regulator Valves	P070M-P100M; P044L - P080L	9,557
	Fan Cycling - Temperature or Pressure	All Flooded Models; Standard on Non-Flooded Models	2,040
	Heat Reclaim Valve	All Models	3,379
	Heated & Insulated Receiver	All Models	2,569
	Hot Gas Bypass Tee & Ball Valve	All Models	792
	Hot Gas Bypass Tee, Ball Valve & Regulator	All Models	4,592
	Liquid-line Filter Isolation Valve (Single Valve)	All Models	457
	Oversized Receiver	All Models	1,093
	Receiver Level Gauge	All Models	1,357
	Suction Accumulator - Standard	P050M-P60M	3,400
	Suction Accumulator - Standard	P070M-P100M; P044L - P080L	3,700
	Suction Accumulator - Heat Exchanger	P050M-P60M	4,700
	Suction Accumulator - Heat Exchanger	P070M-P100M; P044L - P080L	5,193
	Suction-line Filter - Replaceable Core	P050M-P60M	1,500
	Suction-line Filter - Replaceable Core	P070M-P100M; P044L - P080L	1,662
	Suction-line Filter Isolation Valves	P050M-P60M	2,100
	Suction-line Filter Isolation Valves	P070M-P100M; P044L - P080L	3,314
Suction-line Insulation	All Models	2,658	

# QV-SERIES AIR COOLED CONDENSING UNITS • DEFROST KITS

## ELECTRIC DEFROST KIT NOMENCLATURE

DL	A	24	-
<b>Defrost Kit Large Condenser</b>	<b>Heater Contactor</b> A: 1 Heater Contactor B: 2 Heater Contactor C: 3 Heater Contactor D: 4 Heater Contactor	<b>Max Total Heater Amp Value</b>	<b>Special Kit Codes</b> -1: 1 Evaporator with Multiple Heater Feeds -2: 2 Evaporators with Multiple Heater Feeds PP: Pressure Prop Kits for Large Evaporators

When selecting defrost kit, use the next higher amp value above the defrost load.  
 All kits include 1 fan contactor and are suitable for 1 or 3 phase loads.  
 Electrical resistance loads greater than 48 amps must be split into multiple circuits.

### ELECTRIC DEFROST KIT OPTIONS • SINGLE AND PARALLEL COMPRESSOR MODELS

1 HEATER CONTACTOR		2 HEATER CONTACTORS		3 HEATER CONTACTORS		4 HEATER CONTACTORS	
Defrost Kit Model	List Price (\$US)	Defrost Kit Model	List Price (\$US)	Defrost Kit Model	List Price (\$US)	Defrost Kit Model	List Price (\$US)
DLA24 <sup>1</sup>	\$1,530						
DLA30 <sup>1</sup>	1,590						
DLA35 <sup>1</sup>	1,790	DLB35 <sup>1</sup>	\$2,285	DLC35	\$3,120		
DLA40 <sup>1</sup>	1,790	DLB40 <sup>1 4</sup>	2,285	DLC40	3,120		
DLA48 <sup>1</sup>	1,790	DLB48 <sup>1 4</sup>	2,285	DLC48	3,120		
		DLB60 <sup>1 2</sup>	2,375	DLC60 <sup>1</sup>	3,120	DLD60 <sup>5</sup>	\$3,690
		DLB96 <sup>1 2</sup>	2,875	DLC96 <sup>1</sup>	3,310	DLD96	3,720
				DLC144 <sup>1</sup>	4,510	DLD144 <sup>3</sup>	4,540
						DLD192 <sup>3</sup>	4,770

Defrost Kit selected for Single and Parallel compressor models is for entire unit. Up to 4 contactors.  
<sup>1</sup>Defrost Kit Available with Pressure Prop Kit for Large Evaporators (Special Kit Code: PP)  
<sup>4</sup>Defrost Kit Available for Evaporator with Multiple Heater Feeds (Special Kit Code: -1)  
<sup>3</sup>Defrost Kit Available for 2 Evaporators with Multiple Heater Feeds (Special Kit Code: -2)  
 Defrost Kit Available for Evaporator with Multiple Heater Feeds & Pressure Prop Kit (Special Kit Code: -1PP)  
 Defrost Kit Available for 2 Evaporators with Multiple Heater Feeds & Pressure Prop Kit (Special Kit Code: -2PP)

### ELECTRIC DEFROST KIT OPTIONS • DUAL COMPRESSOR MODELS

1 HEATER CONTACTOR PER		2 HEATER CONTACTORS PER	
Defrost Kit Model	List Price (\$US)	Defrost Kit Model	List Price (\$US)
DLA24 <sup>1</sup>	\$3,060		
DLA30 <sup>1</sup>	3,180		
DLA35 <sup>1</sup>	3,580	DLB35 <sup>1</sup>	\$4,570
DLA40 <sup>1</sup>	3,580	DLB40 <sup>1</sup>	4,570
DLA48 <sup>1</sup>	3,580	DLB48 <sup>1</sup>	4,570
		DLB60 <sup>1 2 3</sup>	4,750
		DLB96 <sup>1 2 3</sup>	5,750

Defrost Kit selected is per compressor for Dual compressor models. Up to 2 contactors/compressor.  
<sup>1</sup>Defrost Kit Available with Pressure Prop Kit for Large Evaporators (Special Kit Code: PP)  
<sup>2</sup>Defrost Kit Available for Evaporator with Multiple Heater Feeds (Special Kit Code: -1)  
<sup>3</sup>Defrost Kit Available for Evaporator with Multiple Heater Feeds & Pressure Prop Kit (Special Kit Code: -1PP)

### ELECTRIC DEFROST KIT OPTIONS • FUSEBLOCK AND CIRCUIT BREAKERS

MAX HEATER AMPS	1 HEATER CONTACTOR		2 HEATER CONTACTORS		3 HEATER CONTACTORS		4 HEATER CONTACTORS	
	Fuseblock List Price Adder	Circuit Breaker List Price Adder	Fuseblock List Price Adder	Circuit Breaker List Price Adder	Fuseblock List Price Adder	Circuit Breaker List Price Adder	Fuseblock List Price Adder	Circuit Breaker List Price Adder
24	\$107	\$807						
30	143	1,257						
35	143	1,257	\$143	\$1,491	\$214	\$1,600		
40	143	1,257	143	1,491	214	1,600		
48	143	1,257	143	1,491	214	1,600		
60			200	2,507	307	2,645	\$330	\$2,770
96			257	2,521	350	3,371	425	3,475
144					443	3,486	580	4,186
192							583	4,229

Dual Compressor Units require 2 Fuseblocks & 2 Circuit Breaker, 1 per compressor. Up to 2 contactors/compressor.

### FAN CONTACTOR KIT OPTIONS • SINGLE AND PARALLEL COMPRESSOR MODELS

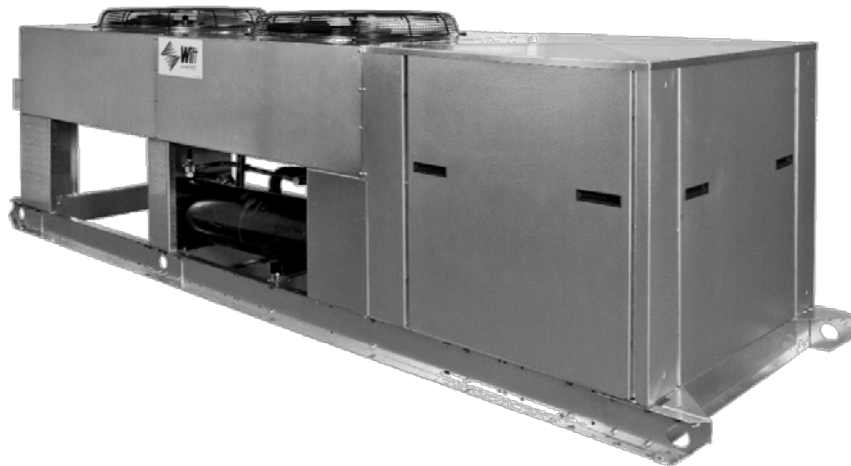
1 FAN CONTACTOR		
Kit Number	Max Motor Amps	List Price (\$US)
TMR-EF-15A	15	\$845
TMR-EF-30A	30	895

Kit Includes: Defrost Timer & Evaporator Fan Contactor

# WV SERIES DISCUS AIR COOLED CONDENSING UNITS

18 THRU 82 HP

Legacy WV Series models are being discontinued. Last day orders will be accepted is July 1, 2018. Use QV-Series Air Cooled Condensing Units instead.



## Model WVCD Standard Features

- Copeland Discus Compressor with service valves
- Crankcase Heater
- Solid state compressor motor protection
- Compressor Head Cooling Fan (Low Temp models only)
- Oil Pressure Control
- Condenser Coil - Copper tubes, Aluminum fins, with subcooling circuit
- Condenser fan motors - 1140 RPM inherent 3 phase, with thermal overload protection with ball bearings
- Condenser fans - heavy duty, individually balance Aluminum fan blades
- Epoxy Coated Wire Fan Guards
- Receiver with inlet, and outlet shut-off valves, pressure relief valve
- Suction Line Components - filter (replaceable core on all parallel piped models)
- Liquid Line Components - sight glass/moisture indicator, liquid line drier replaceable core on all models
- Vibration Absorbers - suction and discharge line
- Control Panel with hinged access door
- High-Low Pressure Controls with flexible lines
- Fan Cycling Control, temperature actuated
- Compressor Contactor(s)
- Condenser Fan Contactors (as required)
- Control Circuit Branch Fusing
- Heavy galvanized steel frame and panels
- All Weather Housing, UL listed, cUL listed

## Model WVLD Standard Features

- All of the features included in the WVCD package plus:
- Low Ambient Flooded Condenser Head Pressure Control

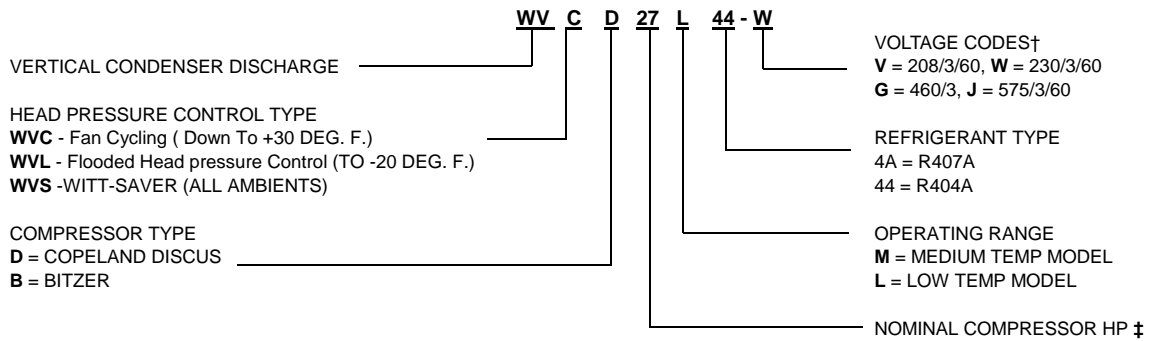
## Model WVSD Standard Features

- All of the features included in the WVCD package plus:
- Energy Saving **WITT-SAVER** Floating Head Pressure System
- Suction Line Pressure Stat (Low Temp models only)



# WV SERIES CONDENSING UNIT NOMENCLATURE

Legacy WV Series models are being discontinued. Last day orders will be accepted is July 1, 2018. Use QV-Series Air Cooled Condensing Units instead.



### † VOLTAGE CODES

CODE	VOLTAGE
V	208/3/60
W	230/3/60
G	460/3
J	575/3/60

### ‡ COMPRESSOR CONFIGURATION

	SINGLE	PARALLEL	DUAL
20HP	—	—	18 (2 - 7.5 HP)
25 HP	—	—	23 (2 - 10 HP)
N/A	24 (2 - 12 HP)	—	26 (2 - 12 HP)
27 HP	31 (2 - 15 HP)	—	32 (2 - 15 HP)
30 HP	41 (2 - 20 HP)	—	42 (2 - 20 HP)
35 HP	44 (2 - 22 HP)	—	46 (2 - 22 HP)
40 HP	51 (2 - 25 HP)	—	52 (2 - 25 HP)
50 HP	54 (2 - 27 HP)	—	56 (2 - 27 HP)
60 HP	61 (2 - 30 HP)	—	62 (2 - 30 HP)
N/A	71 (2 - 35 HP)	—	72 (2 - 35 HP)
N/A	81 (2 - 40 HP)	—	82 (2 - 40 HP)

## WV SERIES • SINGLE COMPRESSOR MODELS ‡

REF.	MODEL NUMBER	208-230/3/60V			460/3/60V			575/3/60V			4 Year Comp. Protection Plan
		WVCD	WVLD	WVSD	WVCD	WVLD	WVSD	WVCD	WVLD	WVSD	
R407A or R404A	20M4*	\$40,706	\$41,688	\$41,688	\$42,939	\$43,921	\$43,921	\$43,818	\$44,800	\$44,800	\$1,382 NET
	25M4*	48,835	49,829	49,816	49,139	50,121	50,121	50,143	51,125	51,125	1,544 NET
	30M4*	57,321	58,303	58,303	59,682	60,664	60,664	60,895	61,876	61,876	1,656 NET
	35M4*	65,086	66,068	66,068	67,210	68,192	68,192	68,575	69,557	69,557	1,744 NET
	40M4*	71,637	72,618	72,618	74,384	75,366	75,366	75,892	76,874	76,874	1,821 NET
R407A or R404A	27L4*	\$53,380	\$54,361	\$54,361	\$55,435	\$56,416	\$56,416	\$56,564	\$57,546	\$57,546	\$1,544 NET
	30L4*	59,287	60,268	60,268	61,544	62,525	62,525	62,795	63,776	63,776	1,656 NET

## WV SERIES • DUAL COMPRESSOR MODELS ‡

REF.	* MODEL NUMBER	208-230/3/60V			460/3/60V			575/3/60V			4 Year Comp. Protection Plan
		WVCD	WVLD	WVSD	WVCD	WVLD	WVSD	WVCD	WVLD	WVSD	
MED. TEMP R404A	18M4*	\$57,701	\$59,664	\$59,664	\$59,192	\$61,156	\$61,156	\$60,416	\$62,380	\$62,380	\$1,116 NET
	23M4*	69,539	71,503	71,503	70,193	72,157	72,157	71,637	73,600	73,600	1,442 NET
	26M4*	72,987	74,950	74,950	76,343	78,306	78,306	77,909	79,872	79,872	1,730 NET
	32M4*	75,225	77,188	77,188	77,368	79,332	79,332	78,956	80,920	80,920	2,232 NET
	42M4*	84,239	86,203	86,203	86,306	88,269	88,269	88,072	90,035	90,035	2,907 NET
	52M4*	101,198	103,161	103,161	103,798	105,761	105,761	105,913	107,877	107,877	3,108 NET
	62M4*	117,669	119,633	119,633	120,527	122,491	122,491	122,977	124,941	124,941	3,312 NET
	72M4*	134,725	136,689	136,689	137,353	139,317	139,317	140,140	142,104	142,104	3,488 NET
	82M4*	150,346	152,310	152,310	152,738	154,702	154,702	155,833	157,797	157,797	3,642 NET
LOW TEMP R404A	46L4*	\$93,674	\$95,638	\$95,638	\$95,119	\$97,082	\$97,082	\$97,061	\$99,024	\$99,024	\$2,764 NET
	56L4*	107,100	109,063	109,063	109,111	111,075	111,075	111,332	113,296	113,296	3,108 NET
	62L4*	118,840	120,804	120,804	120,171	122,135	122,135	122,614	124,578	124,578	3,312 NET

Dual compressor models are supplied with 2 compressors piped separately (two separate circuits).

## WV SERIES • PARALLEL COMPRESSOR MODELS ‡

REF.	* MODEL NUMBER	208-230/3/60V			460/3/60V			575/3/60V			4 Year Comp. Protection Plan
		WVCD	WVLD	WVSD	WVCD	WVLD	WVSD	WVCD	WVLD	WVSD	
R407A or R404A	24M4*	\$83,630	\$84,612	\$84,612	\$86,989	\$87,971	\$87,971	\$88,749	\$89,731	\$89,731	\$1,730 NET
	31M4*	95,390	96,372	96,372	97,790	98,771	98,771	99,766	100,747	100,747	2,232 NET
	41M4*	104,505	105,487	105,487	106,810	107,791	107,791	108,965	109,947	109,947	2,907 NET
	51M4*	119,607	120,588	120,588	122,405	123,387	123,387	124,873	125,855	125,855	3,108 NET
	61M4*	138,704	139,686	139,686	141,809	142,790	142,790	144,664	145,646	145,646	3,312 NET
	71M4*	153,320	154,302	154,302	156,036	157,018	157,018	159,177	160,158	160,158	3,488 NET
	81M4*	166,034	167,016	167,016	168,508	169,489	169,489	171,898	172,880	172,880	3,642 NET
R407A or R404A	44L4*	\$113,500	\$114,482	\$114,482	\$115,084	\$116,066	\$116,066	\$117,406	\$118,388	\$118,388	\$2,764 NET
	54L4*	126,594	127,576	127,576	128,773	129,755	129,755	131,369	132,351	132,351	3,108 NET
	61L4*	138,596	139,578	139,578	140,030	141,012	141,012	142,851	143,832	143,832	3,312 NET

Parallel compressor models are supplied with 2 compressors piped in parallel (one single circuit), and are equipped with an oil management system and oil separator as standard features.

Condensing units are also available for use with R507, R134a or R407C. Contact factory for details.

\*Contact Application Engineering for pricing of condensing units with 2 "un-even" horsepower compressors.

Prices for 4 year compressor protection plan are NET and not to be discounted.

## WV SERIES • OPTIONS AND ACCESSORIES

Legacy WV Series models are being discontinued. Last day orders will be accepted is July 1, 2018. Use QV-Series Air Cooled Condensing Units instead.

SINGLE COMPRESSOR MODELS									
MODEL NUMBER	SUCTION ACCUMULATOR	LIQUID LINE SOLENOID (2)	OIL SEPARATOR	CAPACITY CONTROL CYLINDER UNLOADING (3)		HOT GAS BYPASS CAPACITY CONTROL (5)	ANTI-SHORT CYCLE TIMER	THRU - DOOR NON - FUSED DISCONNECT SWITCH	
								208-230V	460V
20M4*	\$3,052	\$1,573	\$758	UNL-1	\$1,615	\$3,391	\$667	\$1,735	\$2,337
25M4*	3,052	1,573	935	UNL-1	1,615	3,391	667	1,735	2,337
30M4*	3,052	1,573	935	UNL-1	1,615	3,391	667	3,461	3,547
35M4*	3,052	1,573	935	UNL-1	1,753	3,391	667	3,461	3,547
40M4*	3,052	1,573	935	UNL-1	1,753	3,391	667	3,461	3,547

27L4*	\$3,052	\$2,774	\$935	(4)		(4)	\$667	\$1,735	\$2,337
30L4*	3,052	2,774	935	(4)		(4)	667	3,461	3,547

PARALLEL COMPRESSOR MODELS									
MODEL NUMBER	SUCTION ACCUMULATOR	OIL SEPARATOR	LIQUID LINE SOLENOID (2)	CYLINDER UNLOADING CAPACITY CONTROL (3)		HOT GAS BYPASS CAPACITY CONTROL (5)	ANTI-SHORT CYCLE TIMER	THRU - DOOR NON - FUSED DISCONNECT SWITCH	
								230 V	460 V
24M4*	\$3,052	INCL.	\$717	UNL-2 (2)	\$1,615	\$3,494	\$667	\$1,735	\$2,337
31M4*	3,052	INCL.	717	UNL-2 (2)	1,615	3,494	667	3,461	3,547
41M4*	3,052	INCL.	717	UNL-2 (2)	1,615	3,494	667	3,461	3,547
51M4*	4,026	INCL.	1,463	UNL-2 (2)	1,615	4,621	667	----	---
61M4*	4,026	INCL.	1,463	UNL-2 (2)	1,615	4,621	667	----	----
71M4*	4,026	INCL.	1,463	UNL-2 (4)	1,753	4,621	667	----	----
81M4*	4,026	INCL.	1,463	UNL-2 (4)	1,753	4,621	667	----	----

44L4*	\$6,032	INCL.	\$1,463	(4)		(4)	\$667	----	----
54L4*	6,032	INCL.	1,463	(4)		(4)	667	----	----
61L4*	6,032	INCL.	1,463	(4)		(4)	667	----	----

Condensing units are also available for use with R507, R134a or R407C. Contact factory for details.

### WV Series Pricing Notes

- (1) Accessory prices for dual compressor models are for 1 set of the specified option per system.
- (2) Liquid line solenoid valves and hot gas bypass options are shipped loose.
- (3) Capacity unloading is based on the maximum number of unloading steps available for each specific condensing unit. Some compressor models can offer fewer steps of unloading, contact factory for pricing. (See next page for an explanation.)
- (4) This option is typically applicable to high temperature applications and is not normally available low temp. applications.
- (5) HG bypass option contains a HG bypass control valve and solenoid valve. HG is injected into the distributor to help maintain a constant leaving air temp. Option shipped loose. Contact Application Engineering for other HG applications.

## WV SERIES OPTIONS AND ACCESSORIES • DUAL COMPRESSOR MODELS

Legacy WV Series models are being discontinued. Last day orders will be accepted is

July 1, 2018. Use QV-Series Air Cooled Condensing Units instead.

MODEL NUMBER	SUCTION ACCUMULATOR (1)	LIQUID LINE SOLENOID (2)	OIL SEPARATOR (1)	CAPACITY CONTROL CYLINDER UNLOADING (3)		HOT GAS BYPASS CAPACITY CONTROL (1,5)	ANTI-SHORT CYCLE TIMER	THRU - DOOR NON - FUSED DISCONNECT SWITCH	
								230V	460V
18M4*	\$2,308	\$2,848	\$910	UNL-2(2)	\$3,162	\$6,782	\$1,334	\$1,735	\$2,337
23M4*	2,308	2,848	1,124	UNL-2(2)	3,162	6,782	1,334	1,735	2,337
26M4*	4,822	5,548	1,124	UNL-2(2)	3,162	6,782	1,334	1,735	2,337
32M4*	4,822	5,548	1,124	UNL-2(2)	3,162	6,782	1,334	3,461	3,547
42M4*	4,822	5,548	1,434	UNL-2(2)	3,162	6,782	1,334	3,461	3,547
52M4*	6,040	5,548	1,434	UNL-2(2)	3,162	6,782	1,334	C/F	C/F
62M4*	6,040	5,548	1,434	UNL-2(2)	3,162	6,782	1,334	C/F	C/F
72M4*	6,040	5,548	1,434	UNL-2 (4)	6,324	6,782	1,334	C/F	C/F
82M4*	6,040	5,548	1,434	UNL-2 (4)	6,324	6,782	1,334	C/F	C/F
46L4*	\$6,040	\$5,548	\$1,434	(4)	(4)	(4)	\$1,334	C/F	C/F
56L4*	6,040	5,548	1,434	(4)	(4)	(4)	1,334	C/F	C/F
62L4*	6,040	5,548	1,434	(4)	(4)	(4)	1,334	C/F	C/F

### WV SERIES • ADDITIONAL OPTIONS AND ACCESSORIES

DESCRIPTION	LIST PRICE EACH		
ROOM THERMOSTAT	See page 18		
AIR DEFROST TIMER	\$554		
ED KITS - DETAILED INFORMATION	See pages 30-31		
HOT GAS RE-EVAP DEFROST OPTION - No Longer Available	---		
MAIN CIRCUIT BREAKERS - (Per compressor system)	208V or 230V	10 THRU 15 HP	2,271
		20 THRU 35 HP	2,536
		40 THRU 60 HP	6,716
	460V	10 THRU 15 HP	2,271
		20 THRU 30 HP	2,536
		35 THRU 54 HP	4,539
	60 HP	5,244	
CURRENT SENSING RELAY (Price is based on one relay per unit. Double the price for Dual Compressor Models.)	754		
HEATED AND INSULATED RECEIVER	20 THRU 35 HP Single or Parallel Comp.	2,581	
	40 THRU 80 HP Single or Parallel Comp.	3,183	
	18 - 32 H.P. Dual Compressor	1,378	
	42-62 H.P. Dual Compressor	5,162	
	72-82 H.P. Dual Compressor	6,366	
HEATED AND INSULATED ACCUMULATOR ( Must also add suction accumulator.)	20 THRU 35 HP Single or Parallel Comp.	2,581	
	40 THRU 80 HP Single or Parallel Comp.	4,539	
	18 - 23 H.P. Dual Compressor	1,378	
	42-62 H.P. Dual Compressor	5,162	
	72-82 H.P. Dual Compressor	6,366	
STAINLESS STEEL BRAIDED HOSES (Per compressor System)	371		
PRESSURE GAUGE KIT - HIGH, LOW, AND OIL PRESSURE GAUGES WITH VALVES - PER COMPRESSOR	4,085		
PHASE LOSS PROTECTION (Price is based on one monitor per unit. Double the price for Dual Compressor Models.)	1,129		
STAGED START RELAY FOR DUAL COMPRESSOR	395		
REPLACEABLE CORE SUCTION FILTER - Note: Replaceable core suction filters are standard for all parallel compressor units. See table at the right for all other models. Dual compressor systems include two suction filters (1 per system).	20 THRU 40 HP Single Compressor	1,698	
	18 - 32 H.P. Dual Compressor	1,893	
	42-62 H.P. Dual Compressor	3,462	
	72-82 H.P. Dual Compressor	3,786	
Sub Circuit Fuses (Fuse blocks already included with ED kit) (This price in addition to ED-Kit adder)	For 1 evaporator Electric Defrost Kit ( price per kit)	897	
	For 2 evaporators Electric Defrost Kit ( price per kit)	1,804	
	For 3 evaporators Electric Defrost Kit ( price per kit)	2,719	
CRANKCASE PRESSURE REGULATING VALVE - MTD	20 - 41 H.P. Single or Parallel Compressor	5,126	
	44 - 61 H.P. Single or Parallel Compressor	10,244	
	71 - 81 H.P. Single or Parallel Compressor	12,584	
	18 - 26 HP Dual Compressor	11,354	
	32-42 H.P. Dual Compressor	18,530	
	46-82 H.P. Dual Compressor	19,120	

**Note 3 - Capacity Control - Cylinder Unloading**

UNL-1 = 1 bank of unloading, 1 compressor per condensing unit.  
 UNL-2 (1) = 2 banks of unloading, 1 compressor per condensing unit.  
 UNL-2 (2) = 2 compressors per unit, 1 bank per compressor ( 2 total).  
 UNL-2 (4) = 2 compressors per unit, 2 banks per compressor (4 total).

**\*\* Models are available for R404A, R507, R407A, R407C. Contact Applications Engineering to request a special quote.**

- (1) Accessory prices for dual compressor models are for 1 set of the specified option per compressor system.
  - (2) Liquid line solenoid valves and hot gas bypass options are shipped loose.
  - (3) Capacity unloading is based on the maximum number of unloading steps available for each specific condensing unit.  
Some compressor models can offer fewer steps of unloading, contact factory for pricing. (See note above for an explanation of codes.)
  - (4) This option is typically applicable to high temperature applications and is not normally available for low temp. units.
  - (5) HG bypass option contains a HG bypass control valve and solenoid valve. HG is injected into the distributor to help maintain a constant leaving air temp. Option shipped loose. Contact the factory for other HG applications.
- C/F = Contact Application Engineering to request a custom quote.

# ELECTRIC DEFROST COMPONENTS

(See Page 24 for Next-Gen II and page 31 for QV-Series defrost kits )

The **Witt Electric Defrost System** provides unique features that other defrost systems lack. These energy saving features are as follows:

- The auxiliary switch on 3 phase systems and block-out relays on 1 phase systems prevents the defrost heaters from energizing when the compressor is in operation. This features holds the maximum amp draw to the largest single load that the system will draw, and therefore reduces the electrical service requirement to the condensing unit.
- On multiple evaporator systems, individual defrost contactors are used in conjunction with sequencing relays\* to allow each evaporator to terminate defrost independently. This efficient method of defrost saves electricity, and reduces the potential of overheating and steaming the evaporators. In addition, the amount of heat added to the room is kept to a minimum, reducing the run time of the condensing unit.

KIT NUMBER	TIMER	AUXILIARY SWITCH	BLOCK-OUT RELAY	† DEFROST HEATER CONTACTOR (1)	‡ FAN CONTACTOR	SEQUENCING RELAY
ED-5	1	—	1-15A	—	—	—
ED-6	1	—	1-20A	—	—	—
ED-7	1	—	1-25A	—	—	—
ED-10	1	—	1-30A	—	—	—
ED-210	1	—	1-30A	—	—	—
ED-11	1	1	—	1-30A	—	—
ED-211	1	1	—	1-30A	—	—
ED-12	1	1	—	1-30A	1-25A	—
ED-13	1	1	—	1-50A	—	—
ED-213	1	1	—	1-50A	—	—
ED-14	1	1	—	1-50A	1-25A	—
ED-15	1	1	—	2-75A	—	—
ED-16	1	1	—	2-75A	1-25A	—
ED-17	1	1	—	1-15A	1-25A	—
ED-18	1	1	—	1-20A	1-20A	—
ED-20	1	—	1-30A	—	—	2
ED-21	1	1	—	2-15A	—	2
ED-22	1	1	—	2-15A	1-25A	2
ED-23	1	1	—	2-25A	—	2
ED-24	1	1	—	2-25A	1-25A	2
ED-25	1	1	—	2-50A	—	2
ED-26	1	1	—	2-50A	1-25A	2
ED-27	1	1	—	2-75A	—	2
ED-28	1	1	—	2-75A	1-25A	2
ED-30	1	—	1-30A	—	—	3
ED-31	1	1	—	3-10A	—	3
ED-32	1	1	—	3-10A	1-25A	3
ED-33	1	1	—	3-15A	—	3
ED-34	1	1	—	3-15A	1-25A	3
ED-35	1	1	—	3-30A	—	3
ED-36	1	1	—	3-30A	1-25A	3
ED-37	1	1	—	3-75A	—	3
ED-38	1	1	—	3-75A	1-40A	3

**TIMER**  
Initiates the defrost cycle. Also used as over ride protection for defrost termination.

**AUXILIARY SWITCH**  
Mounted on the compressor contactor, it prevents the defrost contactor from operating whenever the compressor is energized.

**BLOCK-OUT RELAY**  
Serves the same function as auxiliary switch, except used when defrost contactor is not required (single phase only).

**FAN CONTACTOR**  
Used with 460V motors or when 230V motors are wired for 3 phase power.

**DEFROST CONTACTOR**  
Carries amperage load for heaters. Contactor selection is based on the maximum resistive load rating of the contactor.

**SEQUENCING RELAYS**  
Provides interconnection of multiple unit coolers on a single system so that each unit cooler is allowed to individually terminate defrost on temperature.

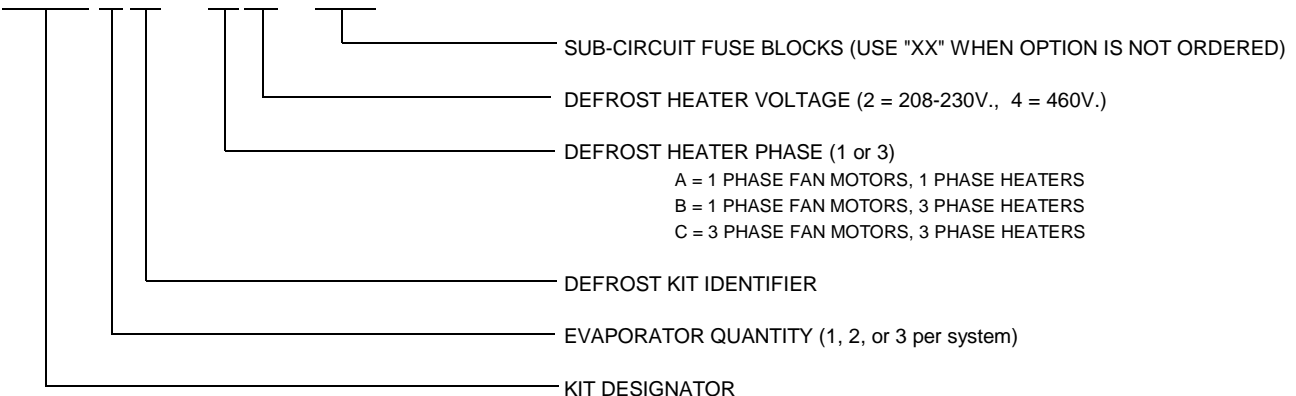
\* Except for ED-210, ED-211, ED-213

† Heater contactor amperage is based on its resistive rating.

‡ Fan motor contactor amperage is based on its inductive rating.

## ELECTRIC DEFROST KIT NOMENCLATURE (See Page 24 for Next-Gen II and page 31 for QV-Series defrost kits )

### ED 12 - A2 - FB



# ELECTRIC DEFROST PROVISIONS

(See Page 24 for Next-Gen II and page 31 for QV-Series defrost kits )

QTY OF UNIT COOLERS	DESCRIPTION	† DEFROST KIT NUMBER				LIST PRICE	
		1 PH. FANS 1 PH. HTRS	1 PH. FANS 3 PH. HTRS	230 V. 3 PH. FANS 3 PH. HTRS	460 V. 3 PH. FANS 3 PH. HTRS	LOOSE OR MOUNTED	‡ SUB-CIRC. FUSE BLOCKS (LESS FUSES)

## DEFROST KITS WHEN THE EVAPORATOR FAN MOTORS ARE WIRED FOR 230/1.

<b>ONE UNIT COOLER PER SYSTEM</b>	Up to 15 Amps Heater (w/ relay)	ED5-A2-XX	N/A	N/A	N/A	\$668	N/A
	20 Amps Heater (w/ relay)	ED6-A2-XX	N/A	N/A	N/A	668	N/A
	25 Amps Heater (w/ relay)	ED7-A2-XX	N/A	N/A	N/A	668	N/A
	30 Amps Heater (w/ relay)	ED10-A2-XX	N/A	N/A	N/A	668	N/A
	30 Amps - Heater (w/ contactors)	N/A	ED11-B2-XX	N/A	N/A	668	167
	50 Amps - Heater	ED13-A2-XX	ED13-B2-XX	N/A	N/A	1,296	167
	75 Amps Heater	ED15-A2-XX	ED15-B2-XX	N/A	N/A	1,987	195
<b>TWO UNIT COOLERS PER SYSTEM</b>	Up to 30 Amps Heater (w/ relay)	ED210-A2-XX	N/A	N/A	N/A	668	N/A
	30 Amps Heater each	ED211-A2-XX	ED211-B2-XX	N/A	N/A	668	167
	50 Amps Heater each	ED213-A2-XX	ED213-B2-XX	N/A	N/A	1,296	203
	Up to 15 Amps Heaters each (w/ relays)	ED20-A2-XX	N/A	N/A	N/A	1,851	N/A
	15 Amps Heaters each	ED21-A2-XX	ED21-B2-XX	N/A	N/A	1,851	300
	25 Amps Heaters each (w/ relays)	ED23-A2-XX	N/A	N/A	N/A	1,901	300
	25 Amps Heaters each (w/ contactors)	N/A	ED23-B2-XX	N/A	N/A	1,901	300
<b>THREE UNIT COOLERS PER SYSTEM</b>	Up to 10 Amps Heaters each (w/ relays)	ED30-A2-XX	N/A	N/A	N/A	2,519	N/A
	16 Amps Heaters each (w/ relays)	ED31-A2-XX	N/A	N/A	N/A	2,519	370
	16 Amps Heaters each (w/ relays)	ED33-A2-XX	N/A	N/A	N/A	2,519	370
	16 Amps Heaters each (w/ contactors)	N/A	ED33-B2-XX	N/A	N/A	2,519	370
	30 Amps Heaters each (w/ relays)	ED35-A2-XX	N/A	N/A	N/A	2,827	370
	30 Amps Heaters each (w/ contactors)	N/A	ED35-B2-XX	N/A	N/A	2,827	370
	50 Amps Heaters each	ED37-A2-XX	ED37-B2-XX	N/A	N/A	3,213	439

## DEFROST KITS WHEN THE EVAPORATOR FAN MOTORS ARE WIRED FOR 230/3, 460/3, OR 460/1.

<b>ONE UNIT COOLER</b>	Up to 25 Amps Heater	ED17-A4-XX	N/A	N/A	N/A	\$1,351	\$277
	30 Amps Heater	ED12-A4-XX	ED12-BX-XX	ED12-C2-XX	ED12-C4-XX	1,351	277
	50 Amps Heater	N/A	ED14-BX-XX	ED14-C2-XX	ED14-C4-XX	1,580	277
	75 Amps Heater	N/A	N/A	ED16-C2-XX	ED16-C4-XX	2,173	323
<b>TWO UNIT COOLERS</b>	Up to 15 Amps Heaters per Unit Cooler	N/A	ED22-BX-XX	ED22-C2-XX	ED22-C4-XX	2,272	370
	25 Amps Heaters per Unit Cooler	N/A	ED24-BX-XX	ED24-C2-XX	ED24-C4-XX	2,272	370
	50 Amps Heaters per Unit Cooler	N/A	ED26-BX-XX	ED26-C2-XX	ED26-C4-XX	2,395	423
	75 Amps Heaters per Unit Cooler	N/A	N/A	ED28-C2-XX	N/A	3,092	514
<b>THREE UNIT COOLERS</b>	Up to 10 Amps Heaters per Unit Cooler	N/A	ED32-BX-XX	ED32-C2-XX	ED32-C4-XX	2,900	491
	16 Amps Heaters per Unit Cooler	N/A	ED34-BX-XX	ED34-C2-XX	ED34-C4-XX	2,900	491
	30 Amps Heaters per Unit Cooler	N/A	ED36-BX-XX	ED36-C2-XX	ED36-C4-XX	3,586	491
	50 Amps Heaters per Unit Cooler	N/A	ED38-BX-XX	ED38-C2-XX	ED38-C4-XX	3,983	588

† Replace "XX" with "FB" when ordering the sub-circuit fuse block option. For description of "ED" kit nomenclature see page 36.

‡ Sub-circuit fuse block price includes fuse blocks installed in the condensing unit, **less fuses**, for evaporator(s) motors and defrost heaters.

Sub-circuit fusing option is not available for 1/2 to 6 HP G-Series models due to space limitations in the control panel.

\* Add "FB" suffix to ED kit part number when pricing sub-circuit fuse block option.

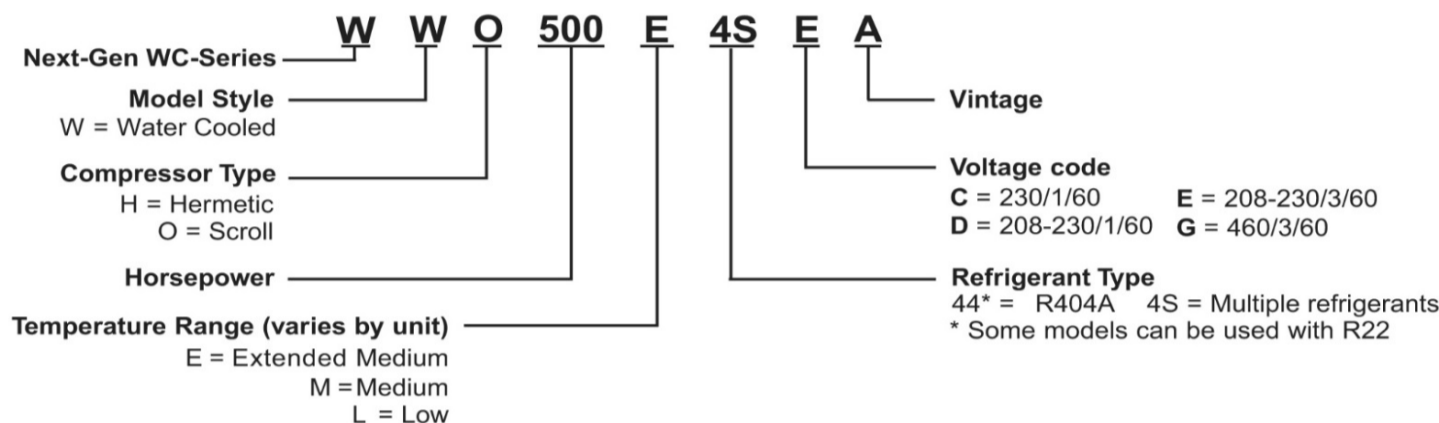
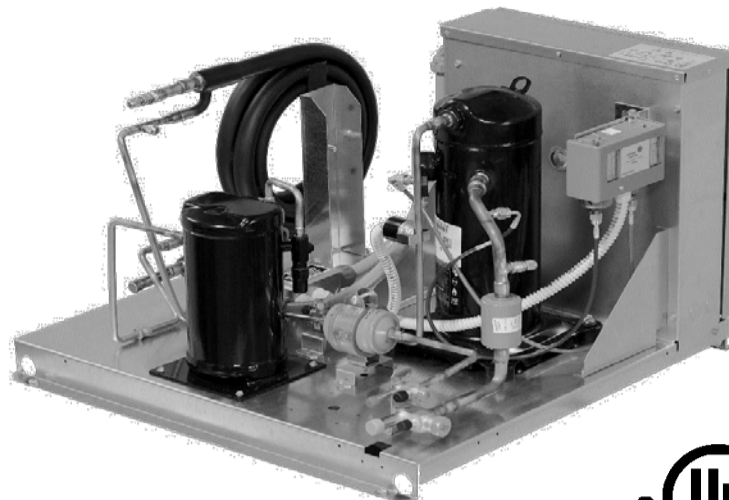
# NEXT-GEN WC-SERIES™ • INDOOR WATER COOLED CONDENSING UNITS

## 1/2 THRU 6 H.P.

### Standard Features (all models)

- Hermetic or Scroll compressors
- Galvanized steel base
- High efficiency water cooled coaxial condenser and heat exchange
- Mechanically formed pre-bent tubing for reduced leak potential
- **Liquid line kit with filter/drier and sight glass with moisture indicator**
- Suction line piping (filter optional)
- Suction and discharge service valves (as required)
- Base mounted shut-off valves
- Color-coded point-to-point wiring
- Large electrical control panel with hinged/removable door
- Refrigerant receiver with isolation valve and pressure relief plug
- Adjustable high and low pressure controls
- Control transformer (460V to 230V) as required
- Compressor contactor (1Ø or 3Ø), start kit (1Ø)
- Crankcase heater
- **Electronic defrost timer with defrost contactor/ relay on low temp. models (2 evaps. Maximum)**
- **Electronic air defrost timer (Medium temperature models)**

For defrost provisions see pages 36 & 37



### NEXT-GEN WC-SERIES • HERMETIC COMPRESSOR MODELS

Temp Range	NOM H.P.	Model Number	Compressor	BASE LIST PRICE (Includes Liquid Line Kit with Filter/Drier and Sight Glass with Moisture Indicator, and Defrost Timer or Kit)			Water Reg. Valve‡	Sealed Suction Line Filter	Suction Accum. ^	Pump Down Switch	4 Year Comp. Protection Plan	Approx. Ship Wt. (LBS)
				208-230V/3	208-230V/1	460V/3						
Medium Temp	1/2	WWH055E4S	RST45C1E	N/A	\$4,415	N/A	\$433	\$330	\$508	\$324	\$105 NET	152
	1/2	WWH080E4S	RST55C1E	N/A	4,507	N/A	433	330	508	324	105 NET	156
	3/4	WWH090E4S	RST64C1E	N/A	4,641	N/A	433	330	508	324	105 NET	160
	3/4	WWH100E4S	RST70C1E	\$5,184	5,014	\$5,252	433	330	508	324	105 NET	167
	1	WWH125E4S	RST97C1E	5,330	5,373	N/A	433	330	508	324	118 NET	195
	1-1/2	WWH150E44	CS10K6E	5,481	5,225	6,114	433	330	508	324	118 NET	205
	2	WWH200E44	CS12K6E	6,268	5,769	N/A	433	330	508	324	129 NET	228
	2-1/2	WWH250E44	CS14K6E	6,640	6,192	7,053	470	330	508	324	129 NET	235
Low Temp	3	WWH300E44	CS18K6E	7,589	7,327	7,890	470	393	785	324	142 NET	253
	3	WWH325E44	CS20K6E	7,966	7,678	8,228	470	393	785	324	142 NET	273
	1-1/2	WWH150L44	CF06K6E	5,393	5,253	N/A	433	330	508	324	118 NET	195
	2	WWH200L44	CF09K6E	5,596	5,456	6,035	433	330	508	324	129 NET	243
	3	WWH300L44	CF12K6E	7,929	7,744	8,059	470	393	785	324	142 NET	255

### ADDITIONAL OPTIONS FOR NEXT-GEN WC-SERIES UNITS

DESCRIPTION	LIST PRICE
ANTI-SHORT CYCLE TIMER	\$667
GAUGE KIT, HIGH, LOW, AND OIL PRESSURE	1,866
PHASE LOSS MONITOR	1,129
CUPRONICKEL HEAT EXCHANGER AND WATER PIPING	CF
ELECTRONIC OIL PRESSURE CONTROL (SOPC)	814
TWO-TIERED STACKING RACK	CF

^ For pre-piped Suction Accumulator, the Sealed Suction Line Filter option must also be ordered.

CF = Contact Factory for pricing

### ‡ OPTIONAL FIELD INSTALLED WATER REGULATING VALVE (ALL MODELS) SHIPPED LOOSE

The V46 pressure-actuated water-regulating valve size estimates are based on 65°F to 85°F coil inlet water temperature and the refrigerant pressure at 105°F saturated condensing. An adjustable water-pressure reducing valve (0 to 50 psi) is required upstream from the V46 valve, to reduce the inlet water pressure and achieve the required flowrates. Refer to the V46 Pressure-Actuated Water-Regulating Valve Product Bulletin, LIT-125687 on the Johnson Control QuickLIT website for complete information on sizing and adjusting V46 valves.

Water Flowrates (GPM)	Water Regulating Valve
1.5 to 11.5	V46AA-1C
11.5 to 21	V46AB-1C

# NEXT-GEN WC-SERIES™ • INDOOR WATER COOLED CONDENSING UNITS

1/2 THRU 6 H.P.

## NEXT-GEN WC-SERIES • SCROLL COMPRESSOR MODELS

Temp Range	NOM H.P.	Model Number	Compressor	BASE LIST PRICE (Includes Liquid Line Kit with Filter/Drier and Sight Glass with Moisture Indicator, and Defrost Timer or Kit)*			Water Reg. Valve‡	Sealed Suction Line Filter	Suction Accum. ^	Pump Down Switch	4 Year Comp. Protection Plan	Approx. Ship Wt. (LBS)
				208-230V/3	208-230V/1	460V/3						
				<b>Medium Temp</b>	1/2	WWO060M4S						
1/2	WWO080M4S	ZB07KAE	8,452		8,423	N/A	433	330	508	324	194 NET	195
1	WWO100M4S	ZB08KAE	8,562		8,506	N/A	433	330	508	324	194 NET	195
1-1/3	WWO130E4S	ZS09KAE	8,687		8,600	\$9,004	433	330	508	324	194 NET	195
1-1/2	WWO150E4S	ZS11KAE	9,287		9,200	9,604	433	330	508	324	194 NET	205
1-3/4	WWO180E4S	ZS13KAE	9,506		9,419	9,823	433	330	508	324	194 NET	210
2	WWO200E4S	ZS15KAE	9,670		9,582	9,987	433	330	508	324	194 NET	215
2-1/2	WWO250E4S	ZS19KAE	9,799		9,692	10,176	470	330	508	324	194 NET	230
3	WWO300E4S	ZS21KAE	9,965		9,839	10,402	470	393	785	324	253 NET	305
3-1/2	WWO350E4S	ZS26KAE	10,588		10,455	10,899	470	393	785	324	253 NET	325
4	WWO400E4S	ZS29KAE	10,937	10,787	11,238	527	393	785	324	264 NET	352	
4-1/2	WWO450E4S	ZS33KAE	10,801	10,649	11,193	527	393	785	324	271 NET	375	
6	WWO500E4S	ZS38K4E	11,337	11,184	11,821	816	393	785	324	271 NET	383	
6 1/2	WWO600E4S	ZS45K4E	13,087	N/A	13,296	816	393	785	324	271 NET	405	
<b>Low Temp</b>	1	WWO100L4S	ZF03KAE	9,222	8,740	N/A	433	330	508	324	194 NET	230
	1-1/3	WWO130L4S	ZF04KAE	9,383	8,955	N/A	433	330	508	324	194 NET	230
	1-1/2	WWO160L4S	ZF05KAE	9,603	9,232	N/A	433	330	508	324	194 NET	230
	2	WWO230L4S	ZF07KAE	9,882	9,754	10,192	433	330	508	324	194 NET	230
	2-1/2	WWO250L4S	ZF08K4E	10,233	10,091	10,342	470	330	508	324	194 NET	240
	3	WWO300L4S	ZF09K4E	10,487	10,336	11,744	470	393	785	324	253 NET	245
	3-1/2	WWO350L4S	ZF11K4E	10,957	10,803	11,215	470	393	785	324	253 NET	255
	4	WWO400L4S	ZF13K4E	11,414	11,269	11,673	527	393	785	324	264 NET	352
5	WWO500L4S	ZF15K4E	11,555	11,415	11,824	816	393	785	324	264 NET	367	
6	WWO600L4S	ZF18K4E	13,027	N/A	13,735	816	393	785	324	271 NET	383	

### ADDITIONAL OPTIONS FOR NEXT-GEN WC-SERIES UNITS

DESCRIPTION	LIST PRICE
ANTI-SHORT CYCLE TIMER	\$667
GAUGE KIT, HIGH, LOW, AND OIL PRESSURE	1,866
PHASE LOSS MONITOR	1,129
CUPRONICKEL HEAT EXCHANGER AND WATER PIPING	CF
ELECTRONIC OIL PRESSURE CONTROL (SOPC)	814
TWO-TIERED STACKING RACK	CF

\* See page 38 for a complete list of features, voltage codes and an example of nomenclature layout.

^ For pre-piped Suction Accumulator, the Sealed Suction Line Filter option must also be ordered.

CF = Contact Factory for pricing

### ‡ OPTIONAL FIELD INSTALLED WATER REGULATING VALVE (ALL MODELS) SHIPPED LOOSE

The V46 pressure-actuated water-regulating valve size estimates are based on 65°F to 85°F coil inlet water temperature and the refrigerant pressure at 105°F saturated condensing. An adjustable water-pressure reducing valve (0 to 50 psi) is required upstream from the V46 valve, to reduce the inlet water pressure and achieve the required flowrates. Refer to the V46 Pressure-Actuated Water-Regulating Valve Product Bulletin, LIT-125687 on the Johnson Control QuickLIT website for complete information on sizing and adjusting V46 valves.

Water Flowrates (GPM)	Water Regulating Valve
1.5 to 11.5	V46AA-1C
11.5 to 21	V46AB-1C

# GW SERIES • INDOOR WATER COOLED CONDENSING UNITS

1/2 THRU 5 H.P.

## GW Series 1/2 to 5 H.P. Hermetic models are no longer available.

- Selection of Hermetic, Semi-Hermetic, and Discus Compressors
  - Low Height, Compact Design on a sturdy base
  - High-Low Pressure Control, Compressor Contactor and Control Circuit Fusing
  - Liquid Receiver with Shut-off Valve and Pressure Relief Plug
  - Coaxial Condenser as standard, Cleanable Condenser is optional
- For defrost provisions see pages 30 & 31



COMP TYPE	§ REF TYPE	NOM H.P.	MODEL NUMBER	BASE LIST PRICE			WATER REG. VALVE‡	CLEANABLE CONDENSER	LIQUID LINE KIT (LK)	* SUCTION LINE KIT (SK)	^ SUCTION ACCUM.	4 Year Comp. Protection Plan	Approx. Ship Wt. (LBS)
				230V/3	230V/1	460V/3							
HERMETIC	MED. TEMP 404A	0.5	GWH055M44	<h1>GW Series 1/2 to 5 H.P. models are no longer available.</h1> <h2>Use Next-Gen WC-Series models instead.</h2>									
		0.5	GWH080M44										
		0.75	GWH090M44										
		0.75	GWH100M44										
		1.0	GWH125M44										
		1.5	GWH151M44										
		1.5	GWH200M44										
		1.75	GWH251M44										
		2.0	GWH301M44										
		3.0	GWH325M44										
	4.0	GWH400M44											
	5.0	GWH500M44											
	LOW TEMP 404A	0.75	GWH075L44										
		1.0	GWH100L44										
		1.5	GWH165L44										
2.0		GWH215L44											
3.0		GWH315L44											
SEMI-HERMETIC	MED. TEMP 404A	0.75	GWS075M44										
		1.0	GWS100M44										
		1.5	GWS150M44										
		2.0	GWS200M44										
		3.0	GWS300M44										
	LOW TEMP 404A	0.5	GWS050L44										
		0.75	GWS075L44										
		1.0	GWS100L44										
		1.5	GWS150L44										
		2.0	GWS200L44										
3.0	GWS300L44												

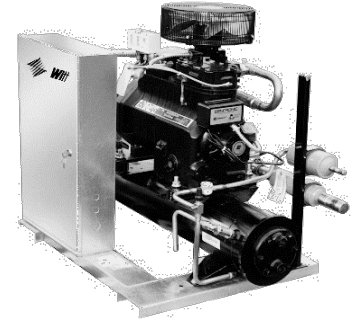


# WRW SERIES • INDOOR WATER COOLED CONDENSING UNITS

## 3 H.P. THRU 40 H.P.

### STANDARD FEATURES:

- Copeland Discus (WRWD model) Compressors
- High Efficiency, Cleanable Shell and Tube Condenser/Receiver
- Compressor Contactor and Control Circuit Fusing in a NEMA 1 enclosure
- Models up to 80 HP are available, Contact Factory for pricing
- High / Low Pressure and Oil Pressure Controls
- Spring Mounted Compressor
- Head Cooling Fan (when required)
- Isolation and Pressure Relief Valves
- UL and C-UL listed



Shown with optional oversized control panel, liquid line assembly, suction line assembly and Electronic oil pressure control.

### OPTIONAL FEATURES:

- Oversized Control Panel (OCP) required when adding defrost kits or other electrical components.
- Two tiered stacking racks

REFR. TYPE	NOM H.P.	MODEL NUMBER	LIST PRICE		WATER REG. VALVE‡	LK	* SK	^ SUCTION LINE ACCUM.	OIL SEPARATOR	4 Year Comp. Protection Plan		APPROX. SHIP WT (LBS)
			230V/3	460V/3								
MED. TEMP. R-404A	3.0	WRWS3M44	Model no longer available.									
	5.0	WRWD5M44	18,535	20,517	816	606	486	785	1,337	558	NET	485
	5.0	WRWD6M44	19,947	21,998	816	606	486	785	1,337	558	NET	495
	7.5	WRWD7M44	21,354	23,600	1,118	606	486	785	1,424	558	NET	540
	7.5	WRWD8M44	23,385	25,410	1,118	606	486	785	1,424	558	NET	590
	10.0	WRWD10M44	27,481	28,412	1,118	816	825	1,154	1,424	721	NET	780
	12.0	WRWD12M44	29,776	30,309	1,444	1,024	1,316	2,411	1,674	865	NET	790
	15.0	WRWD15M44	30,685	31,600	1,444	1,024	1,316	2,411	1,674	1,086	NET	800
	20.0	WRWD20M44	35,246	35,924	1,444	1,024	1,316	2,411	1,674	1,382	NET	835
	25.0	WRWD25M44	40,680	41,246	1,444	1,196	1,316	3,020	2,774	1,554	NET	1,050
	30.0	WRWD30M44	48,411	48,850	1,444	1,196	1,316	3,020	2,774	1,656	NET	1,105
	35.0	WRWD35M44	54,659	55,094	1,444	1,196	1,316	3,020	2,774	1,744	NET	1,150
40.0	WRWD40M44	59,894	60,595	1,444	1,196	1,316	3,020	2,774	1,821	NET	1,200	
LOW TEMP. R-404A	3.0	WRWS3L44	Model no longer available.									
	3.0	WRWD3L44	15,962	17,748	816	606	486	785	1,337	306	NET	390
	4.0	WRWD4L44	17,108	18,834	816	606	486	785	1,337	454	NET	465
	5.0	WRWD5L44	17,928	19,262	816	606	486	785	1,337	454	NET	485
	6.0	WRWD6L44	20,114	21,219	816	606	486	785	1,337	550	NET	530
	8.0	WRWD8L44	21,931	23,449	1,118	606	486	785	1,424	558	NET	590
	9.0	WRWD9L44	24,270	25,939	1,118	816	825	1,154	1,424	721	NET	620
	10.0	WRWD10L44	26,773	27,395	1,118	816	825	1,154	1,424	721	NET	795
	12.0	WRWD12L44	29,734	30,092	1,118	1,024	1,316	2,411	1,674	865	NET	820
	15.0	WRWD15L44	32,385	32,770	1,444	1,024	1,316	2,411	1,674	1,116	NET	845
	22.0	WRWD22L44	38,150	38,439	1,444	1,024	1,316	2,411	1,674	1,382	NET	1,030
	27.0	WRWD27L44	53,630	54,000	1,444	1,196	1,316	3,020	2,774	1,554	NET	1,255
30.0	WRWD30L44	55,635	56,391	1,444	1,196	1,316	3,020	2,774	1,656	NET	1,310	

\* Suction line assembly option must be ordered to receive the Suction Accumulator pre-piped.

^ For pre-piped Suction Accumulator, the SK option must also be ordered.

‡ Water Reg. Valve shipped Loose for field installation.

OPTIONAL PIPING COMPONENTS			
*LIQUID LINE KIT		* SUCTION LINE KIT	
H.P.	Kit Num	H.P.	Kit Num
3 - 8	LK-4	3 - 8	SK-4
9 - 10	LK-5	9 - 10	SK-5
12 - 22	LK-6	12 - 22	SK-6
25 - 40	LK-7	25 - 40	SK-7

See pages 21 & 25 for piping component pricing.

ADDITIONAL OPTIONS FOR WRW SERIES	
DESCRIPTION	LIST PRICE
ANTI-SHORT CYCLE TIMER	\$667
GAUGE KIT, HIGH, LOW, AND OIL PRES.	1,866
PHASE LOSS MONITOR	1,129
OVERSIZED CONTROL PANEL (OCP)	637
ELECTRONIC OIL PRESSURE CONTROL (SOPC)	814
TWO-TIERED STACKING OPTION -WRWS	C/F
TWO-TIERED STACKING OPTION -WRWD	C/F

# WATER COOLED & REMOTE SCROLL CONDENSING UNITS

## WATER COOLED CONDENSING UNIT PRICING

REFR. TYPE	NOM. H.P.	MODEL NUMBER	LIST PRICE			WATER REG. VALVE‡	CLEAN-ABLE COND.	LK	* SK	^ SUCTION LINE ACCUM.	OIL SEP.	4 Year Comp. Protection Plan	APPROX. SHIP WT. (LBS.)
			230V/3	230V/1	460V/3								
MED. TEMP. R404A	1.0	GWO100M44	<b>GW Series 1/2 to 6-1/2 H.P. Scroll models are no longer available. Use Next-Gen WC-Series models instead.</b>										
	1.5	GWO150M44											
	2.0	GWO200M44											
	2.5	GWO250M44											
	3.0	GWO315M44											
	3.0	GWO350M44											
	4.0	GWO400M44	17,647	N/A	18,113	1,118	C/F	606	486	785	1,424	448 NET	405
	6.0	GWO600M44	21,988	N/A	23,577	1,118	C/F	606	486	785	1,424	448 NET	450
	6.5	GWO650M44	27,305	N/A	28,087	1,118	C/F	816	825	1,154	1,424	485 NET	665
7.5	WRWO7M44	27,789	N/A	28,630	1,444	C/F	1,024	1,316	2,411	1,674	560 NET	675	
LOW TEMP. R-404A	2.0	GWO200L44	<b>GW Series 1/2 to 6 H.P. Scroll models are no longer available. Use Next-Gen WC-Series models instead.</b>										
	2.5	GWO250L44											
	3.0	GWO300L44											
	3.0	GWO301L44											
	4.0	GWO400L44											
	5.0	GWO500L44											
	6.0	GWO600L44	17,642	N/A	19,035	1,118	C/F	606	486	785	1,424	448 NET	470
	7.5	WRWO8L44	22,166	N/A	23,810	1,118	C/F	816	825	1,154	1,424	485 NET	645
	10.0	WRWO10L44	24,794	N/A	25,606	1,444	C/F	1,024	1,316	2,411	1,674	560 NET	670
13.0	WRWO13L44												

## REMOTE COMPRESSOR UNIT PRICING

REFR. TYPE	NOM. H.P.	MODEL NUMBER	LIST PRICE			WATER REG. VALVE‡	CLEAN-ABLE COND.	LK	* SK	^ SUCTION LINE ACCUM.	OIL SEP.	4 YEAR EXT. COMP. WARRANTY	APPROX. SHIP WT. (LBS.)
			230V/3	230V/1	460V/3								
MED. TEMP. R-404A	2.0	GNO200M44	<b>Remote Compressor models are no longer available</b>										
	2.5	GNO250M44											
	3.0	GNO315M44											
	3.0	GNO350M44											
	4.0	GNO400M44											
	6.0	GNO600M44											
	6.5	GNO650M44											
	7.5	WRNO7M44											
	7.5	WRNO8M44											
10.0	WRNO10M44												
13.0	WRNO13M44												
LOW TEMP. R-404A	2.0	GNO200L44											
	2.5	GNO250L44											
	3.0	GNO300L44											
	3.0	GNO301L44											
	4.0	GNO400L44											
	5.0	GNO500L44											
	6.0	GNO600L44											
	7.5	WRNO8L44											
	10.0	WRNO10L44											
13.0	WRNO13L44												

\* Suction line assembly option must be ordered to receive the Suction Accumulator (SA) pre-piped.

‡ Water Reg. Valve shipped Loose for field installation.

^ For pre-piped SA, the SK option must also be ordered.

C/F = Consult the factory for pricing.

### OPTIONAL PIPING COMPONENTS

*LIQUID LINE KIT		* SUCTION LINE KIT	
H.P.	Kit Num	H.P.	Kit Num
1/2 - 3	LK-MC1	1/2 - 3	*SK-MC-1
4 - 6	LK-MC2	4 - 6	*SK-MC-2
3 - 8	LK-4	3 - 8	SK-4
9 - 10	LK-5	9 - 10	SK-5
12 - 22	LK-6	12 - 22	SK-6

See pages 21 & 25 for piping component pricing.

### ADDITIONAL OPTIONS FOR SCROLL MODELS

DESCRIPTION	LIST PRICE
ANTI-SHORT CYCLE TIMER	\$667
GAUGE KIT, HIGH, LOW, AND OIL PRESSURE	1,866
PHASE LOSS MONITOR	1,129
OVERSIZED CONTROL PANEL (OCP)	637
ELECTRONIC OIL PRESSURE CONTROL (SOPC)	814
TWO-TIERED STACKING OPTION - 1 thru 6.5 H.P.	C/F
TWO-TIERED STACKING OPTION - 7 thru 13 H.P.	C/F

**WRN SERIES • REMOTE COMPRESSOR UNITS  
3 H.P. THRU 40 H.P.**

**WRN Series models are no longer available**

**STANDARD FEATURES:**

- Semi-Hermetic Copeland Disc (WRND series) or Reed (WRNS series) Compressors
- Spring Mounted Compressor
- Compressor Contactor and Control Circuit Fusing in a NEMA 1 enclosure
- Head Cooling Fan (when required)
- Large Receiver with Isolation and Pressure Relief Valves
- High / Low Pressure and Mechanical Oil Pressure Controls
- Models up to 80 HP are available, Contact Factory for pricing

**OPTIONAL FEATURES:**

- Oversized Control Panel (OCP) required for Electric Defrost provisions
- Two tiered stacking racks
- Remote Air Cooled Condensers are available, see pages 38-42
- All listed options are factory installed



Shown with optional oversized control panel, liquid line assembly, suction line assembly and electronic oil pressure control.

REFR. TYPE	NOM. H.P.	MODEL NUMBER	LIST PRICE		*LK	* SK	^ SUCTION LINE ACCUM.	OIL SEP.	4 Year Comp. Protection Plan	APPROX. SHIP WT. (LBS.)
			208-230V/3	460V/3						
MED. TEMP. R-404A	3.0	WRNS3M44	<h1>WRN Series models are no longer available</h1>							
	5.0	WRND5M44								
	6.0	WRND6M44								
	7.5	WRND7M44								
	7.5	WRND8M44								
	10.0	WRND10M44								
	12.0	WRND12M44								
	15.0	WRND15M44								
	20.0	WRND20M44								
	25.0	WRND25M44								
LOW TEMP. R-404A	3.0	WRNS3L44								
	3.0	WRND3L44								
	4.0	WRND4L44								
	5.0	WRND5L44								
	6.0	WRND6L44								
	8.0	WRND8L44								
	9.0	WRND9L44								
	10.0	WRND10L44								
	12.0	WRND12L44								
	15.0	WRND15L44								
22.0	WRND22L44									
27.0	WRND27L44									
30.0	WRND30L44									

\* Suction line assembly option must be ordered to receive the Suction Accumulator pre-piped.

^ For pre-piped Suction Accumulator, the SK option must also be ordered.

# RE-HEAT KITS

Re-heat kits have been discontinued and are no longer available.

## HEAT RECLAIM UNIT HEATERS



MODEL NUMBER	CFM	QTY OF FANS	MOTOR H.P.	LIST PRICE		APPROX. SHIP WT. (LBS.)
				208/230/1 460/1/60	208/230/3 460/3/60	
HACS001B-08	3,020	1	1/3	\$2,180	\$2,303	97
HACS001B-12	2,890	1	1/3	2,860	2,983	99
HACS002B-08	2,840	1	1/3	3,195	3,318	105
HACS003B-08	4,450	1	1/3	5,838	5,961	128
HACS005B-10	3,900	1	1/3	7,312	7,435	137
HACS008B-10	8,640	2	1/3	8,950	9,073	190
HACS010B-10	7,780	2	1/3	10,048	10,171	205
HACS012B-10	7,080	2	1/3	12,032	12,155	221

Specify voltage and discharge orientation(horizontal or vertical) when ordering

## FREIGHT SURCHARGES

The following freight surcharges will be applied to orders (when applicable). For delivery and post delivery issues, the customer will be notified and a second invoice will be generated.

BASIC LTL FREIGHT SURCHARGES	NET Price <sup>†</sup>
Delivery Notification / Call before delivery	\$71
Lift Gate Service	222
Saturday Delivery Request	504
*Failed/Refused delivery attempt (minimum)	102
*Failed/Refused delivery attempt (Maximum)	1,263
Re-consignment fee	95
Storage (Per 100 LBS for each calendar day)	4.81

BASIC CONTRACT HAUL SURCHARGES	NET <sup>†</sup>
Cancelled truck not used	\$2,247
Re-consignment fee	806
Reconsignment cost per mile ( \$1566 Minimum)	3.36
Delay in unloading (4 hours or more past an appointment)	1,566

<sup>†</sup> Net prices are not to be discounted.

\* Refused Delivery fee will be calculated @ 12.07 cents per 100 LBS, subject to Minimum and Maximum charges shown above (per incident).

<sup>†</sup> Net prices are not to be discounted.

# APEX • TOP MOUNTED REFRIGERATION SYSTEM

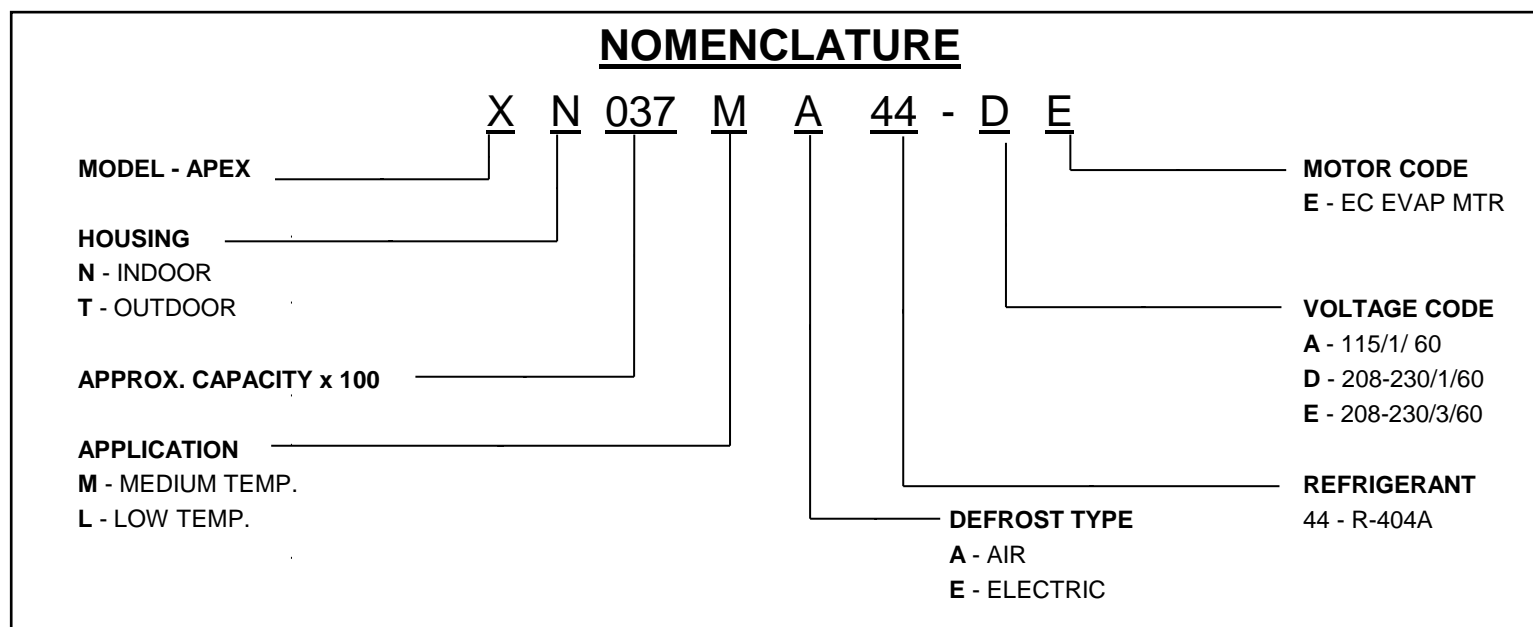
## Medium Temperature - Air Defrost

Model Number	Indoor List Price EC Evap Mtr	Outdoor List Price EC Evap Mtr	Indoor Power Cord	Volts/Ph/Hz	INDOOR NET / SHIP WT. (LBS.)	OUTDOOR NET / SHIP WT. (LBS.)	4 Year Compressor Protect. Plan Net Price
XN026MA44AE	\$5,498	N/A	Yes	115/1/60	120 / 185	N/A	\$78
XN029MA44AE	6,022	N/A	Yes	115/1/60	120 / 185	N/A	78
XN037MA44AE	6,211	N/A	Yes	115/1/60	125 / 190	N/A	78
XN050MA44AE	8,216	N/A	Yes	115/1/60	210 / 305	N/A	78
X*050MA44DE	8,223	\$9,338	Yes	208-230/1/60	210 / 305	220 / 360	78
X*068MA44DE	9,511	10,226	Yes	208-230/1/60	220 / 315	230 / 370	78
X*076MA44DE	10,161	11,133	Yes	208-230/1/60	220 / 315	230 / 375	78
X*106MA44DE	12,104	12,520	Yes	208-230/1/60	295 / 420	310 / 485	80
X*106MA44EE	11,356	12,479	No	208-230/3/60	305 / 430	320 / 495	80
X*134MA44DE	13,550	13,707	No	208-230/1/60	310 / 435	325 / 500	96
X*134MA44EE	12,418	13,627	No	208-230/3/60	310 / 435	325 / 500	96

## Low Temperature - Electric Defrost

Model Number	Indoor List Price EC Evap Mtr	Outdoor List Price EC Evap Mtr	Indoor Power Cord	Volts/Ph/Hz	INDOOR NET / SHIP WT. (LBS.)	OUTDOOR NET / SHIP WT. (LBS.)	4 Year Compressor Protect. Plan Net Price
XN018LE44AE	\$8,995	N/A	Yes	115/1/60	140 / 200	N/A	\$78
X*024LE44AE	10,226	N/A	Yes	115/1/60	210 / 305	N/A	78
X*024LE44DE	10,841	\$10,729	Yes	208-230/1/60	210 / 305	225 / 365	78
X*031LE44DE	10,799	12,061	Yes	208-230/1/60	245 / 340	255 / 400	78
X*043LE44DE	12,024	13,817	Yes	208-230/1/60	245 / 340	255 / 400	80
X*051LE44DE	13,798	15,600	Yes	208-230/1/60	315 / 445	320 / 510	80
X*051LE44EE	13,794	15,474	No	208-230/3/60	315 / 445	320 / 510	80
X*068LE44DE	14,805	16,614	No	208-230/1/60	320 / 450	335 / 515	94
X*068LE44EE	14,793	16,604	No	208-230/3/60	320 / 450	335 / 515	94

## NOMENCLATURE



### Saving Time and Money

- Fully factory assembled, charged and tested.
- No piping or loose components to install which saves you labor cost \$\$\$.
- Adjustable digital controller is preset for typical cooler or freezer applications.
- **Two-year warranty on all parts\***  
See Apex IOM M900 for full Warranty Disclosure
- \* Insert character for housing code or motor code as applicable

### Quick Installation

- Installs in a fraction of the time it takes for a typical split refrigeration systems.
- The supply/return register mounts flush with a standard 4" ceiling panel which provides for more storage in your cooler or freezer.
- Condensate is evaporated so no drain line is required on indoor models.
- Outdoor models come standard with a roof and drain line connection (see drawing in Catalog 509).



## Standard Features

- Inverter Duty rail mounted motors
- Vertical air flow
- Motors with inherent thermal overload protection
- 3/8" refrigerant saving copper tube, aluminum fin coils\*
- 650 PSIG working pressure
- Vinyl coated heavy gauge steel fan guards
- Swept wing fan/Venturi improves airflow and sound
- Hinged Venturi panels for easy servicing
- Hinged leg design for simple installation
- Proprietary floating coil design
- Thru-the-door non-fused disconnect switch
- Heavy gauge painted galvanized steel construction
- Heavy duty lifting eyes for equipment rigging
- UL and cUL listed for outdoor use
- LED control panel lighting
- California Title 24 compliant - see pages 43-44 for applicable models and details

## Options

- Fan cycling head pressure control
- Flooded head pressure control
- Subcooling circuit
- Horizontal air flow
- Multi-circuited coils
- Wide selection of fin coatings and materials
- Individual motor fusing
- Individual or paired motor contactors
- EMS control options
- Variable frequency drives
- Multiple control panel locations
- Multiple refrigerant options
- Thru-the-door fused disconnect
- Main circuit breaker disconnect
- Leg height up to 46" (18" standard)
- Fixed box style legs (25")



## SMALL CONDENSERS

1075 RPM .33 HP MOTORS			
Model Number	10 FPI List Price	Fan Configuration	Approx Net Weight (LBS.)
WDS001DA1B12A1A	\$2,180	1 x 1	80
WDS002DA1B12A1A	2,860	1 x 1	86
WDS003DA1B12A1A	3,195	1 x 1	107
WDS005DA1B12A1A	5,838	1 x 1	116
WDS007DA2B12A1A	7,312	1 x 2	164
WDS009DA2B12A1A	8,950	1 x 2	179
WDS011DA2B12A1A	10,048	1 x 2	195

850 RPM .25 HP MOTORS			
Model Number	10 FPI List Price	Fan Config.	Approx Net Weight (LBS.)
WDS001DC1B12A1A	\$2,390	1 x 1	80
WDS002DC1B12A1A	3,429	1 x 1	86
WDS003DC1B12A1A	3,921	1 x 1	107
WDS004DC1B12A1A	6,189	1 x 1	116
WDS006DC2B12A1A	7,633	1 x 2	164
WDS008DC2B12A1A	9,597	1 x 2	179
WDS009DC2B12A1A	10,431	1 x 2	195

1075 RPM .33 HP MOTORS - Totally Enclosed			
Model Number	10 FPI List Price	Fan Config.	Approx. Net Weight (LBS.)
WDS001DH1B12A1A	\$3,172	1 x 1	80
WDS002DH1B12A1A	3,853	1 x 1	86
WDS003DH1B12A1A	4,188	1 x 1	107
WDS005DH1B12A1A	6,830	1 x 1	116
WDS007DH2B12A1A	9,296	1 x 2	164
WDS009DH2B12A1A	10,934	1 x 2	179
WDS011DH2B12A1A	12,032	1 x 2	195

### POSITION V - Available Voltage Options\*

Voltage Code	Adders Per Fan section	Available Based Upon Position VI - Motor Options
A-115/1/60	N/C	Only available with motor option A
D-208-230/1/60	—	Available with motor options A & C
E-208-230/3/60	\$123	Available with motor options A, C, & H
F-460/1/60	N/C	Available with motor options A & C
G-460/3/60	123	Available with motor options A, C, & H
H-575/1/60	48	Only available with motor option A

Note: "N/A" = Not available, "N/C" = No additional charge, "—" = Base Model Feature

### POSITION VI - Available Motor / Fan Type Options

Motor Type	Adder Per Fan	Available Based Upon Position V - Voltage Options
A- 1075, 0.33HP	—	Available in Voltage codes A, D, E, F, G, H
C- 850 RPM, 0.25HP	—	Available in Voltage codes D, E, F, G
H - 1075, 0.5 HP	—	Available in Voltage codes E, G

Note: "N/A" = Not available, "N/C" = No additional charge, "—" = Base Model Feature

### Position - VII - Indicates Length in Fans (1 or 2)

### Position - VIII - Coil Density Options Price Add or Deduct (8FPI)

Fan Configuration	A - 8 FPI	B - 10 FPI	C - 12 FPI	D - 14 FPI
1 X 1	(\$376)	—	\$378	\$756
1 X 2	(\$752)	—	\$756	\$1,510

Note: "N/A" = Not available, "N/C" = No additional charge, "—" = Base Model Feature

### Position - IX - Coil Material and Coating Options\*\*

Aluminum fins (Standard) / Copper fins / Other

No Coating (Standard) / Al + AST coating / Al + Heresite coating / Al + Polyester coat - Pre Coated Fin Material / Other

### Position - X - Housing Material and Coating Options\*\*

Galvanized (Standard) / Aluminum / Stainless Steel 316L / Other

### Position - XI - Unit Design Configuration

Leg Configuration	Fan Config. 1 x 1	Fan Config. 1 x 2
A – Vertical Fan Discharge, Standard 15" Legs	—	—
E – Vertical Fan Discharge, 30" Legs	\$137	\$273
N – Horizontal Fan Discharge, Standard Legs	—	—

### Position - XII - Circuit Splitting Options\*\*

Full (Standard) / 50/50 / Multi-Circuiting / Subcooling Circuit / Other

### Available Options\*\*

Fan cycling head pressure control (2 fan model only)

Variable speed fan control (header end fan only)

Flooded head pressure control (shipped loose)

### Notes:

\* Codes D, E, F and G can be used with 50 or 60 Hz power.

\*\* Contact Application Engineering to obtain price quotes for special fin materials, coating, circuit splitting and available options.

1. Horizontal discharge orientation is available using standard leg arrangement code A.

2. Floating coil is not available for small condensers.



# QUANTUM AIR™ LARGE CONDENSERS

1140 RPM 1.5 HP MOTORS (Code B)						
SINGLE FAN WIDTH						
Model Number	8 FPI	10 FPI	12 FPI	14 FPI	Fans	Approx. Net Weight (LBS.)
WDS004^B1	\$6,769	\$7,173	\$7,564	\$7,955	1 x 1	350
WDS006^B1	8,618	9,022	9,414	9,805	1 x 1	375
WDS007^B1	9,624	10,028	10,419	10,810	1 x 1	400
WDS012^B2	14,156	14,965	15,747	16,529	1 x 2	725
WDS015^B2	19,485	20,294	21,076	21,858	1 x 2	750
WDS018^B2	23,090	23,899	24,681	25,463	1 x 2	775
WDS022^B3	28,495	29,709	30,882	32,055	1 x 3	1,125
WDS027^B3	33,176	34,390	35,563	36,736	1 x 3	1,150
WDS030^B4	39,811	41,429	42,993	44,557	1 x 4	1,500
WDS036^B4	45,034	46,652	48,216	49,780	1 x 4	1,525
WDS039^B5	49,669	51,692	53,647	55,602	1 x 5	1,875
WDS047^B5	57,789	59,812	61,767	63,722	1 x 5	1,900
WDS056^B6	69,157	71,585	73,931	76,277	1 x 6	2,275
WDS065^B7	81,261	84,093	86,830	89,567	1 x 7	2,650

850 RPM 1.5 HP MOTORS (Code D)						
SINGLE FAN WIDTH						
Model Number	8 FPI	10 FPI	12 FPI	14 FPI	Fans	Approx. Net Weight (LBS.)
WDS004^D1	\$6,698	\$7,103	\$7,494	\$7,885	1 x 1	350
WDS005^D1	8,563	8,967	9,358	9,749	1 x 1	375
WDS007^D1	9,541	9,946	10,337	10,728	1 x 1	400
WDS010^D2	14,478	15,287	16,070	16,852	1 x 2	725
WDS014^D2	19,427	20,236	21,018	21,800	1 x 2	750
WDS015^D2	21,543	22,352	23,134	23,916	1 x 2	775
WDS021^D3	28,666	29,880	31,053	32,226	1 x 3	1,125
WDS024^D3	32,456	33,669	34,843	36,016	1 x 3	1,150
WDS028^D4	38,934	40,552	42,116	43,680	1 x 4	1,500
WDS032^D4	43,660	45,278	46,842	48,406	1 x 4	1,525
WDS035^D5	47,605	49,628	51,583	53,539	1 x 5	1,875
WDS043^D5	57,146	59,169	61,124	63,080	1 x 5	1,900
WDS052^D6	68,573	71,000	73,346	75,693	1 x 6	2,275
WDS060^D7	80,400	83,232	85,969	88,706	1 x 7	2,650

DOUBLE FAN WIDTH						
Model Number	8 FPI	10 FPI	12 FPI	14 FPI	Fans	Approx. Net Weight (LBS.)
WDD022^B2	\$29,237	\$30,855	\$32,419	\$33,984	2 x 2	1,500
WDD030^B2	38,903	40,521	42,085	43,649	2 x 2	1,525
WDD036^B2	45,304	46,922	48,486	50,050	2 x 2	1,550
WDD045^B3	58,191	60,618	62,964	65,310	2 x 3	2,275
WDD054^B3	68,083	70,510	72,857	75,203	2 x 3	2,300
WDD059^B4	77,912	81,149	84,277	87,405	2 x 4	3,025
WDD072^B4	89,929	93,166	96,294	99,422	2 x 4	3,050
WDD078^B5	99,341	103,387	107,297	111,208	2 x 5	3,775
WDD094^B5	115,754	119,799	123,710	127,620	2 x 5	3,800
WDD113^B6	138,298	143,152	147,845	152,537	2 x 6	4,550
WDD131^B7	162,921	168,584	174,059	179,534	2 x 7	5,300

DOUBLE FAN WIDTH						
Model Number	8 FPI	10 FPI	12 FPI	14 FPI	Fans	Approx. Net Weight (LBS.)
WDD019^D2	\$28,167	\$29,785	\$31,349	\$32,913	2 x 2	1,500
WDD028^D2	38,789	40,408	41,972	43,536	2 x 2	1,525
WDD031^D2	42,362	43,980	45,544	47,108	2 x 2	1,550
WDD041^D3	57,693	60,121	62,467	64,813	2 x 3	2,275
WDD048^D3	65,507	67,934	70,281	72,627	2 x 3	2,300
WDD055^D4	77,952	81,188	84,316	87,445	2 x 4	3,025
WDD065^D4	87,502	90,738	93,867	96,995	2 x 4	3,050
WDD069^D5	95,171	99,216	103,127	107,037	2 x 5	3,775
WDD086^D5	114,495	118,541	122,451	126,362	2 x 5	3,800
WDD103^D6	137,213	142,068	146,760	151,453	2 x 6	4,550
WDD121^D7	160,821	166,485	171,959	177,434	2 x 7	5,300

^ Insert voltage code here.

\$219 List price adder per fan 575/3/60 motors.

\$860 List Price adder (per fan) for Totally Enclosed Motor. 1.5 HP 1140 or 850 RPM, or 1.0 HP 850 RPM only. Not available for 550 RPM models.

^ Insert voltage code here.

575V motors are not available for units with 850RPM, 1.5 HP motors.

# QUANTUM AIR™ LARGE CONDENSERS

850 RPM 1.0 HP MOTORS (Code L) <sup>†</sup>						
SINGLE FAN WIDTH						
Model Number	8 FPI	10 FPI	12 FPI	14 FPI	Fans	Approx. Net Weight (LBS.)
WDS004 <sup>^</sup> L1	\$6,260	\$6,665	\$7,056	\$7,447	1 x 1	350
WDS006 <sup>^</sup> L1	8,105	8,510	8,901	9,292	1 x 1	375
WDS008 <sup>^</sup> L1	9,688	10,093	10,484	10,875	1 x 1	400
WDS010 <sup>^</sup> L2	13,596	14,406	15,188	15,970	1 x 2	725
WDS012 <sup>^</sup> L2	17,154	17,963	18,745	19,528	1 x 2	750
WDS015 <sup>^</sup> L2	20,740	21,549	22,331	23,113	1 x 2	775
WDS019 <sup>^</sup> L3	27,099	28,312	29,486	30,659	1 x 3	1,125
WDS023 <sup>^</sup> L3	31,013	32,227	33,400	34,573	1 x 3	1,150
WDS026 <sup>^</sup> L4	37,518	39,137	40,701	42,265	1 x 4	1,500
WDS030 <sup>^</sup> L4	42,553	44,171	45,736	47,300	1 x 4	1,525
WDS032 <sup>^</sup> L5	45,694	47,717	49,672	51,627	1 x 5	1,875
WDS040 <sup>^</sup> L5	56,283	58,306	60,261	62,216	1 x 5	1,900
WDS048 <sup>^</sup> L6	67,909	70,337	72,683	75,029	1 x 6	2,275
WDS056 <sup>^</sup> L7	79,466	82,298	85,035	87,772	1 x 7	2,650

550 RPM 1/3 HP MOTORS (Code E) <sup>†</sup>						
SINGLE FAN WIDTH						
Model Number	8 FPI	10 FPI	12 FPI	14 FPI	Fans	Approx. Net Weight (LBS.)
WDS004 <sup>^</sup> E1	\$7,230	\$7,634	\$8,025	\$8,416	1 x 1	350
WDS005 <sup>^</sup> E1	8,511	8,915	9,306	9,697	1 x 1	375
WDS006 <sup>^</sup> E1	9,588	9,993	10,384	10,775	1 x 1	400
WDS008 <sup>^</sup> E2	14,251	15,060	15,842	16,624	1 x 2	725
WDS011 <sup>^</sup> E2	18,782	19,591	20,373	21,155	1 x 2	750
WDS012 <sup>^</sup> E2	20,771	21,580	22,363	23,145	1 x 2	775
WDS016 <sup>^</sup> E3	28,746	29,960	31,133	32,306	1 x 3	1,125
WDS018 <sup>^</sup> E3	31,503	32,717	33,890	35,063	1 x 3	1,150
WDS021 <sup>^</sup> E4	39,403	41,021	42,585	44,150	1 x 4	1,500
WDS025 <sup>^</sup> E4	44,180	45,798	47,362	48,926	1 x 4	1,525
WDS028 <sup>^</sup> E5	50,060	52,083	54,038	55,993	1 x 5	1,875
WDS032 <sup>^</sup> E5	55,484	57,507	59,462	61,418	1 x 5	1,900
WDS040 <sup>^</sup> E6	70,597	73,024	75,370	77,717	1 x 6	2,275
WDS046 <sup>^</sup> E7	82,534	85,366	88,103	90,840	1 x 7	2,650

DOUBLE FAN WIDTH						
Model Number	8 FPI	10 FPI	12 FPI	14 FPI	Fans	Approx. Net Weight (LBS.)
WDD017 <sup>^</sup> L2	\$26,197	\$27,815	\$29,379	\$30,944	2 x 2	1,500
WDD026 <sup>^</sup> L2	37,504	39,122	40,686	42,250	2 x 2	1,525
WDD030 <sup>^</sup> L2	42,570	44,188	45,752	47,316	2 x 2	1,550
WDD038 <sup>^</sup> L3	56,709	59,136	61,482	63,828	2 x 3	2,275
WDD046 <sup>^</sup> L3	66,169	68,597	70,943	73,289	2 x 3	2,300
WDD051 <sup>^</sup> L4	76,150	79,387	82,515	85,643	2 x 4	3,025
WDD060 <sup>^</sup> L4	86,730	89,967	93,095	96,223	2 x 4	3,050
WDD063 <sup>^</sup> L5	92,437	96,482	100,393	104,303	2 x 5	3,775
WDD080 <sup>^</sup> L5	114,073	118,118	122,029	125,939	2 x 5	3,800
WDD097 <sup>^</sup> L6	137,004	141,859	146,551	151,244	2 x 6	4,550
WDD113 <sup>^</sup> L7	160,574	166,238	171,713	177,187	2 x 7	5,300

DOUBLE FAN WIDTH						
Model Number	8 FPI	10 FPI	12 FPI	14 FPI	Fans	Approx. Net Weight (LBS.)
WDD016 <sup>^</sup> E2	\$30,547	\$32,166	\$33,730	\$35,294	2 x 2	1,500
WDD021 <sup>^</sup> E2	39,403	41,021	42,585	44,150	2 x 2	1,525
WDD025 <sup>^</sup> E2	43,787	45,405	46,969	48,533	2 x 2	1,550
WDD032 <sup>^</sup> E3	60,464	62,891	65,238	67,584	2 x 3	2,275
WDD037 <sup>^</sup> E3	66,219	68,647	70,993	73,339	2 x 3	2,300
WDD043 <sup>^</sup> E4	80,898	84,134	87,263	90,391	2 x 4	3,025
WDD050 <sup>^</sup> E4	90,126	93,362	96,491	99,619	2 x 4	3,050
WDD055 <sup>^</sup> E5	103,201	107,246	111,157	115,067	2 x 5	3,775
WDD063 <sup>^</sup> E5	113,301	117,347	121,257	125,168	2 x 5	3,800
WDD080 <sup>^</sup> E6	143,667	148,522	153,214	157,907	2 x 6	4,550
WDD093 <sup>^</sup> E7	167,057	172,721	178,195	183,670	2 x 7	5,300

<sup>^</sup> Insert voltage code here.

\$219 List price adder per fan 575/3/60 motors.

\$860 List Price adder (per fan) for Totally Enclosed Motor. 1.5 HP 1140 or 850 RPM, or 1.0 HP 850 RPM only. Not available for 550 RPM models.

<sup>†</sup> These models fulfill California Title 24 condenser efficiency requirements when utilizing Variable Frequency Drives and 10 FPI coils.

<sup>^</sup> Insert voltage code here.

575V motors are not available for units with 550RPM, 1/3 HP motors.

# QUANTUM AIR™ LARGE CONDENSERS

VSEC 1200 RPM (Code K)						
SINGLE FAN WIDTH						
Model Number	8 FPI	10 FPI	12 FPI	14 FPI	Fans	Approx. Net Weight (LBS.)
WDS005^K1	\$12,281	\$12,685	\$13,076	\$13,467	1 x 1	350
WDS006^K1	14,130	14,534	14,926	15,317	1 x 1	375
WDS008^K1	15,136	15,540	15,931	16,322	1 x 1	400
WDS013^K2	25,180	25,989	26,771	27,553	1 x 2	725
WDS016^K2	30,509	31,318	32,100	32,882	1 x 2	750
WDS019^K2	34,114	34,923	35,705	36,487	1 x 2	775
WDS024^K3	45,031	46,245	47,418	48,591	1 x 3	1,125
WDS028^K3	49,712	50,926	52,099	53,272	1 x 3	1,150
WDS032^K4	61,859	63,477	65,041	66,605	1 x 4	1,500
WDS038^K4	67,082	68,700	70,264	71,828	1 x 4	1,525
WDS041^K5	77,229	79,252	81,207	83,162	1 x 5	1,875
WDS049^K5	85,349	87,372	89,327	91,282	1 x 5	1,900
WDS059^K6	102,229	104,657	107,003	109,349	1 x 6	2,275
WDS069^K7	119,845	122,677	125,414	128,151	1 x 7	2,650

VSEC 900 RPM (Code L)						
SINGLE FAN WIDTH						
Model Number	8 FPI	10 FPI	12 FPI	14 FPI	Fans	Approx. Net Weight (LBS.)
WDS004^G1	\$12,281	\$12,685	\$13,076	\$13,467	1 x 1	350
WDS005^G1	14,130	14,534	14,926	15,317	1 x 1	375
WDS007^G1	15,136	15,540	15,931	16,322	1 x 1	400
WDS010^G2	25,180	25,989	26,771	27,553	1 x 2	725
WDS014^G2	30,509	31,318	32,100	32,882	1 x 2	750
†WDS015^G2*	34,114	34,923	35,705	36,487	1 x 2	775
WDS021^G3	45,031	46,245	47,418	48,591	1 x 3	1,125
†WDS025^G3*	49,712	50,926	52,099	53,272	1 x 3	1,150
WDS028^G4	61,859	63,477	65,041	66,605	1 x 4	1,500
†WDS033^G4*	67,082	68,700	70,264	71,828	1 x 4	1,525
WDS035^G5	77,229	79,252	81,207	83,162	1 x 5	1,875
†WDS044^G5*	85,349	87,372	89,327	91,282	1 x 5	1,900
†WDS052^G6*	102,229	104,657	107,003	109,349	1 x 6	2,275
†WDS061^G7*	119,845	122,677	125,414	128,151	1 x 7	2,650

DOUBLE FAN WIDTH						
Model Number	8 FPI	10 FPI	12 FPI	14 FPI	Fans	Approx. Net Weight (LBS.)
WDD023^K2	\$51,285	\$52,903	\$54,467	\$56,032	2 x 2	1,500
WDD032^K2	60,951	62,569	64,133	65,697	2 x 2	1,525
WDD038^K2	67,352	68,970	70,534	72,098	2 x 2	1,550
WDD047^K3	91,263	93,690	96,036	98,382	2 x 3	2,275
WDD057^K3	101,155	103,582	105,929	108,275	2 x 3	2,300
WDD063^K4	122,008	125,245	128,373	131,501	2 x 4	3,025
WDD075^K4	134,025	137,262	140,390	143,518	2 x 4	3,050
WDD082^K5	154,461	158,507	162,417	166,328	2 x 5	3,775
WDD099^K5	170,874	174,919	178,830	182,740	2 x 5	3,800
WDD118^K6	204,442	209,296	213,989	218,681	2 x 6	4,550
WDD138^K7	240,096	245,760	251,234	256,709	2 x 7	5,300

DOUBLE FAN WIDTH						
Model Number	8 FPI	10 FPI	12 FPI	14 FPI	Fans	Approx. Net Weight (LBS.)
WDD020^G2	\$51,285	\$52,903	\$54,467	\$56,032	2 x 2	1,500
WDD028^G2	60,951	62,569	64,133	65,697	2 x 2	1,525
†WDD032^G2*	67,352	68,970	70,534	72,098	2 x 2	1,550
WDD042^G3	91,263	93,690	96,036	98,382	2 x 3	2,275
†WDD049^G3*	101,155	103,582	105,929	108,275	2 x 3	2,300
WDD056^G4	122,008	125,245	128,373	131,501	2 x 4	3,025
†WDD065^G4*	134,025	137,262	140,390	143,518	2 x 4	3,050
WDD070^G5	154,461	158,507	162,417	166,328	2 x 5	3,775
†WDD087^G5*	170,874	174,919	178,830	182,740	2 x 5	3,800
†WDD105^G6*	204,442	209,296	213,989	218,681	2 x 6	4,550
†WDD122^G7*	240,096	245,760	251,234	256,709	2 x 7	5,300

^ Insert voltage code here.

^ Insert voltage code here.

† These selected models fulfill California Title 24 condenser efficiency requirements when utilizing 10 FPI coils.

# Large Air Cooled Condenser Options

## Fan configuration

	1X1	1X2	1X3	1X4	1X5	1X6	1X7	2X2	2X3	2X4	2X5	2X6	2X7
<b>Disconnect Options</b>													
Through the door non-fused disconnect	STD	STD	STD	STD	STD	STD	STD	STD	STD	STD	STD	STD	STD
Through the door fused disconnect	\$442	508	749	850	935	1,022	1,107	850	1,022	1,318	1,617	1,917	2,214
Main Power Circuit Breaker	\$908	908	1,123	1,123	1,123	1,123	1,123	1,123	1,123	1,204	1,204	1,204	1,204
Bladed Safety Switch, Non-fused	\$809	809	1,558	1,558	1,558	1,558	1,558	1,558	1,558	1,965	1,965	1,965	1,965
110 VAC - 20 Amp Convenience Outlet powered by separate building feed or transformer	\$326	326	326	326	326	326	326	326	326	326	326	326	326

<b>Fan Cycling Options - Requires Contactor Option</b>													
Ambient fan cycling <sup>†</sup>	—	\$902	1,230	1,638	2,046	2,456	2,866	901	1,230	1,638	2,046	2,456	2,866
Mechanical Pressure fan cycling (per circuit) W/O Header <sup>†</sup>	—	\$1,357	1,485	1,979	2,474	2,969	3,462	1,357	1,485	1,979	2,474	2,969	3,462
Mechanical Pressure fan cycling (per circuit) W/ Header <sup>†</sup>	—	\$1,729	2,225	2,723	3,221	3,718	4,225	1,729	2,225	2,723	3,221	3,718	4,225
Electronic Pressure fan cycling (per circuit) W/O Header <sup>†</sup>	—	\$1,408	1,764	2,930	4,097	5,262	6,180	1,408	1,764	2,930	4,097	5,262	6,180
Electronic Pressure fan cycling (per circuit) W/ Header <sup>†</sup>	—	\$1,999	3,164	4,330	5,497	6,405	7,526	1,999	3,164	4,330	5,497	6,405	7,526

Note: Header fan is continuous run and not cycled.

<b>Electronic Header End Fan Speed Control - Req. Contactor &amp; Fan Cycle on 1x2 and Larger</b>													
Variable speed header end fan (1 or 2 Circuit) ambient controlled <sup>†</sup>	\$2,242	2,553	2,879	3,289	3,699	4,110	4,518	2,551	2,961	3,374	3,784	4,195	4,605
Variable speed header end fan (1 or 2 Circuit) Mechanical control - pressure <sup>†</sup>	\$2,673	2,871	3,176	3,669	4,166	4,661	5,153	2,871	3,176	3,669	4,166	4,661	5,153
Variable speed header end fan (1 or 2 Circuit) Electronic control - pressure <sup>†</sup>	\$2,831	3,136	3,455	4,621	5,788	6,685	7,808	3,136	3,455	4,621	5,788	6,685	7,808

<b>Variable Frequency Drive (VFD)</b>													
VFD Package - Shipped Loose <sup>†</sup>	C/F	C/F	C/F	C/F	C/F	C/F	C/F	C/F	C/F	C/F	C/F	C/F	C/F
VFD Package - Factory Mounted <sup>†</sup>	C/F	C/F	C/F	C/F	C/F	C/F	C/F	C/F	C/F	C/F	C/F	C/F	C/F

<b>Control Boards - Items with this mark also ‡ require the contactor option</b>													
CPC relay board + xfmr (1x1 thru 2x4 config) ‡	\$2,912	2,912	2,912	2,912	2,912	2,912	2,912	2,912	2,912	2,912	-	-	-
CPC relay boards (2)+ xfmr (2x5 thru 2x7 config) ‡	—	—	—	—	—	—	—	—	—	—	\$5,460	5,460	5,460
CPC relay board condenser split 50/50 (1 board + relay)	\$3,030	3,030	3,030	3,030	3,030	3,030	3,030	3,030	3,030	3,030	3,030	3,030	3,030
CPC analog speed control board and transformer	\$3,048	3,048	3,048	3,048	3,048	3,048	3,048	3,048	3,048	3,048	3,048	3,048	3,048
DANFOSS relay board + xfmr (1x1 thru 2x4 config) ‡	\$2,923	2,923	2,923	2,923	2,923	2,923	2,923	2,923	2,923	2,923	-	-	-
DANFOSS relay boards (2) + xfmr (2x5 thru 2x7 config) ‡	—	—	—	—	—	—	—	—	—	—	\$5,991	5,991	5,991
DANFOSS relay board condenser split 50/50 (relay) ‡	\$4,292	4,292	4,292	4,292	4,292	4,292	4,292	4,292	4,292	4,292	4,292	4,292	4,292
DANFOSS analog speed control board and transformer	\$3,375	3,375	3,375	3,375	3,375	3,375	3,375	3,375	3,375	3,375	3,375	3,375	3,375
VSEC Stand alone motor control (C450)	\$4,431	4,431	4,431	4,431	4,431	4,431	4,431	4,431	4,431	4,431	4,431	4,431	4,431

Consult Application Engineering For Other Relay Board Options

<b>Control Options</b>													
Control Circuit Breaker (2P - 15A)	\$291	291	291	291	291	291	291	291	291	291	291	291	291
Control circuit transformer <sup>†</sup>	\$551	551	551	551	551	551	551	551	551	551	551	551	551

<b>Fan Control Options (Contactors)</b>													
Individual Motor Contactors <sup>†</sup>	\$232	463	693	924	1,154	1,385	1,615	924	1,385	1,845	2,307	2,768	3,229
Paired Motor Contactors <sup>†</sup>	—	—	—	—	—	—	—	\$463	694	925	1,156	1,387	1,618
NEMA rated Contactors - Individual <sup>†</sup>	\$950	1,900	2,849	3,798	4,747	5,697	6,646	3,798	5,697	7,595	9,494	11,392	13,291
NEMA rated Contactors - PAIRED <sup>†</sup>	—	—	—	—	—	—	—	\$1,900	2,849	3,798	4,747	5,697	6,646
Individual motor fuses <sup>†</sup>	\$234	467	699	932	1,165	1,397	1,630	932	1,397	1,863	2,329	2,794	3,260
Paired motor fuses <sup>†</sup>	—	—	—	—	—	—	—	\$467	699	932	1,165	1,397	1,630
Individual circuit breakers <sup>††</sup>	\$648	930	1,384	1,854	2,308	2,778	3,208	1,854	2,778	3,687	4,614	5,540	6,196
Paired circuit breakers <sup>††</sup>	—	—	—	—	—	—	—	\$930	1,384	1,854	2,308	2,778	3,208
Individual motor terminal boards <sup>†</sup>	\$164	325	487	648	812	973	1,134	648	973	1,556	1,881	2,202	2,527
Paired motor terminal blocks <sup>†</sup>	—	—	—	—	—	—	—	\$325	487	648	812	973	1,134
Fan toggle switches - per fan (to control contactors) <sup>†</sup>	\$97	195	289	386	482	579	675	386	579	772	964	1,156	1,348
Fan toggle switches - PAIRED (to control contactors) <sup>†</sup>	—	—	—	—	—	—	—	\$195	289	386	482	579	675
Fan toggle switches - per fan (to control Motors) <sup>†</sup>	\$442	442	442	442	442	442	442	1,554	2,330	3,107	3,884	4,660	5,437
Fan toggle switches - PAIRED (to control Motors) <sup>†</sup>	—	—	—	—	—	—	—	\$777	1,165	1,554	1,942	2,330	2,719

<b>Build Options**</b>													
Horizontal Air Discharge	\$654	958	1,410	1,730	2,035	2,340	2,626	1,915	2,789	3,460	4,068	4,679	5,256
Aluminum Housing	\$260	520	780	1,039	1,299	1,559	1,818	1,039	1,559	2,078	2,598	3,117	3,636
Stainless Steel Housing	C/A	C/A	C/A	C/A	C/A	C/A	C/A	C/A	C/A	C/A	C/A	C/A	C/A
Leg length - 21" or 30" - Standard Vertical air discharge	\$137	273	408	408	408	503	639	273	408	408	408	503	639
Leg length - 46" (Vertical air discharge only)	\$163	323	483	483	483	594	754	323	483	483	483	594	754
Box Style Leg at every location- 25" (Vertical air discharge only)	\$475	712	949	1,186	1,423	1,660	1,897	712	949	1,186	1,423	1,660	1,897
Sealtite wiring to motor rail	\$204	253	383	515	637	767	895	515	767	1,022	1,280	1,534	1,780
Sealtite wiring to electrical box	\$675	1,350	2,025	2,699	3,374	4,049	4,724	2,699	4,049	5,398	6,748	8,097	9,447
Condenser Base with 18" legs (Vertical air discharge only)	\$1,656	2,389	3,125	4,475	5,414	6,208	7,210	2,389	3,125	4,475	5,414	6,456	7,499
Condenser Base with 30 or 46" legs (Vertical air discharge only)	\$1,772	2,624	3,475	4,432	6,000	6,883	7,998	2,624	3,475	4,944	6,000	7,158	8,318
Condenser / Receiver Assembly (Vertical air discharge only)	C/A	C/A	C/A	C/A	C/A	C/A	C/A	C/A	C/A	C/A	C/A	C/A	C/A
Header End control panel mounting (Specify location change)	N/C	N/C	N/C	N/C	N/C	N/C	N/C	N/C	N/C	N/C	N/C	N/C	N/C

	Number of Controls							
List Price per compressor system <sup>†</sup>	C/A	C/A	C/A	C/A	C/A	C/A	C/A	C/A
Number of Controls per compressor system <sup>†</sup>	C/A	C/A	C/A	C/A	C/A	C/A	C/A	C/A
Manifold included <sup>†</sup>	C/A	C/A	C/A	C/A	C/A	C/A	C/A	C/A

\* Multiple valves or manifolds are required for multi-circuit condensers.

\*\* Contact Application Engineering to obtain price quotes for special fin materials or coatings.

N/C = No additional charge for this feature.

C/A = Contact Application engineering for custom price quote.

† This option is not available for condensers with VSEC motors.

†† Units with VSEC motors **include** individual circuit breaker. Paired circuit breakers are not available.

**PRINCIPAL TERMS AND CONDITIONS OF SALE**

1. **Applicable Law and Terms of Sale:** All orders shall be subject to the following terms and conditions notwithstanding any additional or contrary printed terms and conditions of Buyer. Such additional or contrary terms shall not bind Seller unless accepted in writing even though such terms do not materially alter the terms hereof. No oral statements, warranties, stipulations, representations or terms shall have any binding effect or be any part of the contract whatsoever.
2. **Orders:** All orders must be in writing and will be binding when our order acknowledgment is mailed. Orders are accepted subject to strikes, fires, accidents, and other causes beyond our reasonable control. Acceptance of your order is conditioned upon an agreement to hold us harmless by reason of delivery delays.
3. **Prices:** Prices are subject to change without notice, and all quotations, unless otherwise specified, are binding only for immediate acceptance. Prices are based on material made to Seller's standard tolerances, unless otherwise specified.
4. **Freight:** All products are shipped FOB Point of Shipment with full freight allowed on single orders with a net price value of \$10,000.00 or more, except surface coils and parts, within the continental USA (excluding Alaska and Hawaii). Shipments to destinations outside the continental USA, that meet freight allowance requirements, will incur charges for the additional transport beyond the USA border. Seller reserves the choice of transportation mode (DRY VAN, FLATBED, LTL, AND PARCEL), carrier, and shipping point. For special routing requests, Buyer will bear all additional costs for such routing. The responsibility of the Seller shall cease upon delivery of the product in good condition to a common carrier (TL, LTL, FLATBED, etc.). Since all goods are shipped at Buyer's risk, they should carefully examine before signing delivery receipt. If common carrier tenders delivery of goods in damaged condition or if packages delivered do not correspond with the number called for on the freight bill, Buyer should insist on common carrier's agent (DRIVER) making notation of the condition of shortages of damage on delivery receipt. The Buyer should never refuse freight from the common carrier. Filing freight claims are under the responsibility of the Buyer, and this will enable them to secure prompt payment of claim for damaged or lost material. Refer to HTPG's freight policy for further information.
5. **Taxes:** Any sales, use, excise, or similar tax payable by Seller which is or may be imposed by any taxing authority upon manufacture, sale or delivery of goods covered by any order or any increase in rate of any such tax now in force, shall be added to the sales price; if not collected at the time of payment of sales price, Buyer will hold Seller harmless.
6. **Limited Warranty:** Seller warrants against defect in materials and workmanship in products which it manufactures for (1) year from date of installation or up to (18) eighteen months from the date of shipment, whichever event occurs first, when properly installed and operated under normal use. This guarantee does not include any labor or other charges made outside of the Seller's factory for replacement or repair of defective parts unless specifically stated in the body of the Seller's invoice. On parts not manufactured by Seller, such as motors, controls, valves and compressors we extend to the Buyer the same warranties made to us by the manufacturer. Seller's only liability under this warranty or otherwise shall be the repair or replacement (at Seller's option) of non-conforming goods or parts. Seller assumes no liability for incidental or consequential damages such as injury to person or property, or lost profits.
7. **THIS GUARANTEE SUPERSEDES AND IS IN LIEU OF ANY AND ALL OTHER WARRANTIES BY LAW OR CUSTOM, EITHER EXPRESSED OR IMPLIED INCLUDING, BUT NOT LIMITED BY THIS ENUMERATION, ANY GUARANTEE AS TO QUALITY OR FITNESS FOR ANY PARTICULAR PURPOSE, EXCEPT AS SET FORTH ABOVE. NO PERSON, AGENT, OR DEALER IS AUTHORIZED TO GIVE ANY WARRANTIES ON BEHALF OF SELLER NOR TO ASSUME FOR SELLER ANY OTHER LIABILITY IN CONNECTION WITH ANY OF THE SELLER'S PRODUCTS.**
8. **Delivery:** Seller shall not be liable for any delays in or failure of delivery due to acts of God or public authority, labor disputes, accidents, fires, floods, extreme weather conditions, failure of and delays by carriers, shortages of material, delays of a supplier, and any other cause beyond Seller's control. In no event shall Seller be liable for consequential or special damages arising out of a delay in or failure of delivery. Failure to meet estimated ship dates will not be considered sufficient cause of cancellation of orders.
9. **Cancellations and Returned Goods:** Permission to return any part or product must be obtained from Seller and may be subject to a restocking charge. Credits for new material accepted for return will be at the original sales price or current market price, whichever is lower, less handling and restocking charges. Buyer must prepay all transportation charges. Any costs for putting material in condition for resale will be charged to the Buyer. Shipment of material returned without factory authorization or not properly tagged with a Return Material Authorization Number or not freight prepaid cannot be received by Seller. Obsolete products or material made to special order are not returnable.
10. **Catalog Materials and Drawings:** Seller is not responsible for typographical errors or other errors of omission in Seller's catalogs or drawings.
11. **Late Charge Provision:** Buyer agrees to pay a late charge of 1-1/2% per month (18% per year) for any invoice or bill not paid within (30) thirty days of the date of the billing invoice.
12. **Choices of law, Disputes:** This agreement and the performance of the parties hereunder shall be construed in accordance with and governed by the laws of the State of Georgia and shall be deemed made in the state. Buyer irrevocably consents to the exclusive jurisdiction of the courts of Fulton County, on all matters arising out of or relating to this sale and Buyer further irrevocably consents to service of process by certified mail, return receipt requested, at Buyer's address set forth in the order acknowledgement.

The above terms and conditions apply to all orders placed with the Seller. Buyer acknowledges having read and understood these terms and conditions and agrees to abide by them upon placement of any order with the Seller. In the event it becomes necessary to refer the account to a collection agency or to institute legal action to obtain payment of the account, Buyer agrees to pay all reasonable attorney fees and court costs incurred by such action.

The above terms and conditions apply to all orders placed with the Seller. Buyer acknowledges having read and understood these terms and conditions and agrees to abide by them upon placement of any order with the Seller. In the event it becomes necessary to refer the account to a collection agency or to institute legal action to obtain payment of the account, Buyer agrees to pay all reasonable attorney fees and court costs incurred by such action.